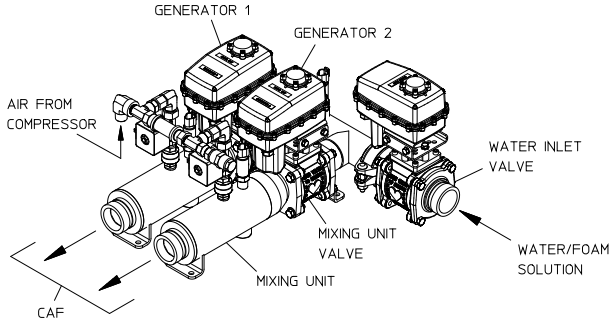
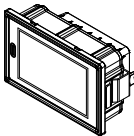


Foam Generator Service Parts List Eclipse GEN 2.0 CAF System

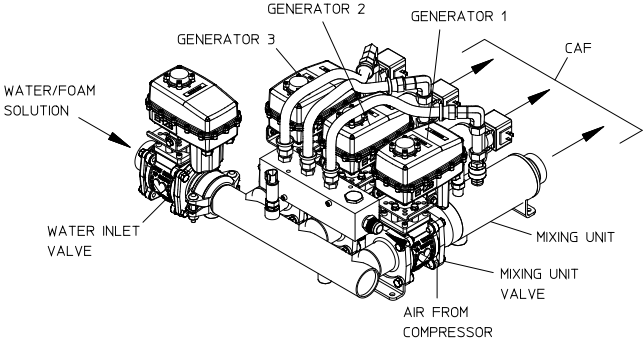
Index:



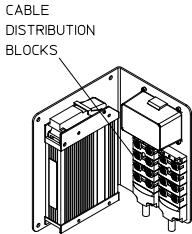
DOUBLE FOAM GENERATORS



**HMI CONTROL
PANEL**



TRIPLE FOAM GENERATORS



**PLC
CONTROLLER**

Component		See Pages				
		Double Generators	Triple Generators			
			Standard	See Note 1		
		With High Flow Option		With High Rise Option		
Foam Generators	Manifold and Water Inlet Valve	2, 3	4, 5	4, 5	4, 5	
	Mixing Valve and Air Fittings	6, 7	6, 7	6, 7	6, 7	
	Valve Sub-assy's	8, 9	8, 9	8, 9	8, 9	
	Air From Compressor	10, 11	12,13	14, 15	14, 15	
PLC	Components	16, 17	16, 17	16, 17	16, 17	
	Cable Connections	Distribution Block	18, 19	20, 21	20, 21	22, 23
		Relay Panel	24, 25	24, 25	24, 25	24, 25
	Circuit Breaker Panel	26, 27	26, 27	26, 27	26, 27	
Cable Connections	System	28, 29	30, 31	30, 31	32,33	
	Generators	34, 35	34, 35	34, 35	34, 35	
HMI Control Panel		36, 37	36, 37	36, 37	36, 37	
Discharge Splitting Valve Option		38, 39	38, 39	38, 39	38, 39	
Electrical Schematic		Contact Waterous Company				
Air Compressor Components		See Separate Compressor Service Parts List				
Foam Pump Components		See Separate Foam Pump Service Parts List				

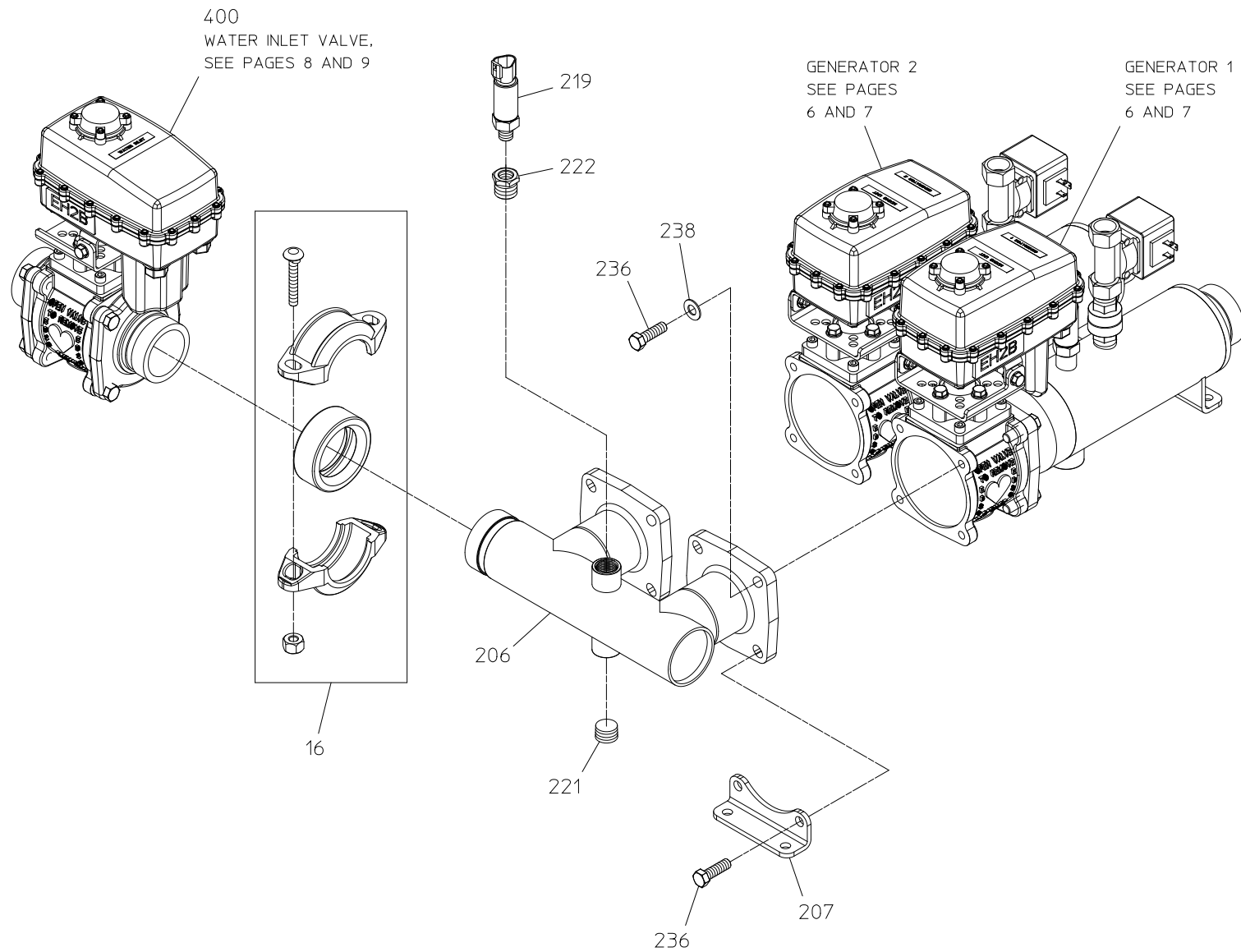
Note:

- 1) Generator 3 will be labeled "High Flow" or "High Rise" when these options are included.

Foam Generators
 Manifold and Water Inlet Valve – Double Generators

REF NO.	DESCRIPTION
16	2 in. Victaulic Coupling
206	2 in. Victaulic Manifold, Double
207	Manifold Bracket
219	Pressure Sensor
221	Pipe Plug, 1/2 NPT

REF NO.	DESCRIPTION
222	Reducing Bushing, 1/2 MNPT x 1/4 FNPT
236	Hex Head Screw, 3/8-16 x 1-1/4 in.
238	Plain Washer, 3/8 in.
400	2 in. Water Inlet Ball Valve Sub-assembly



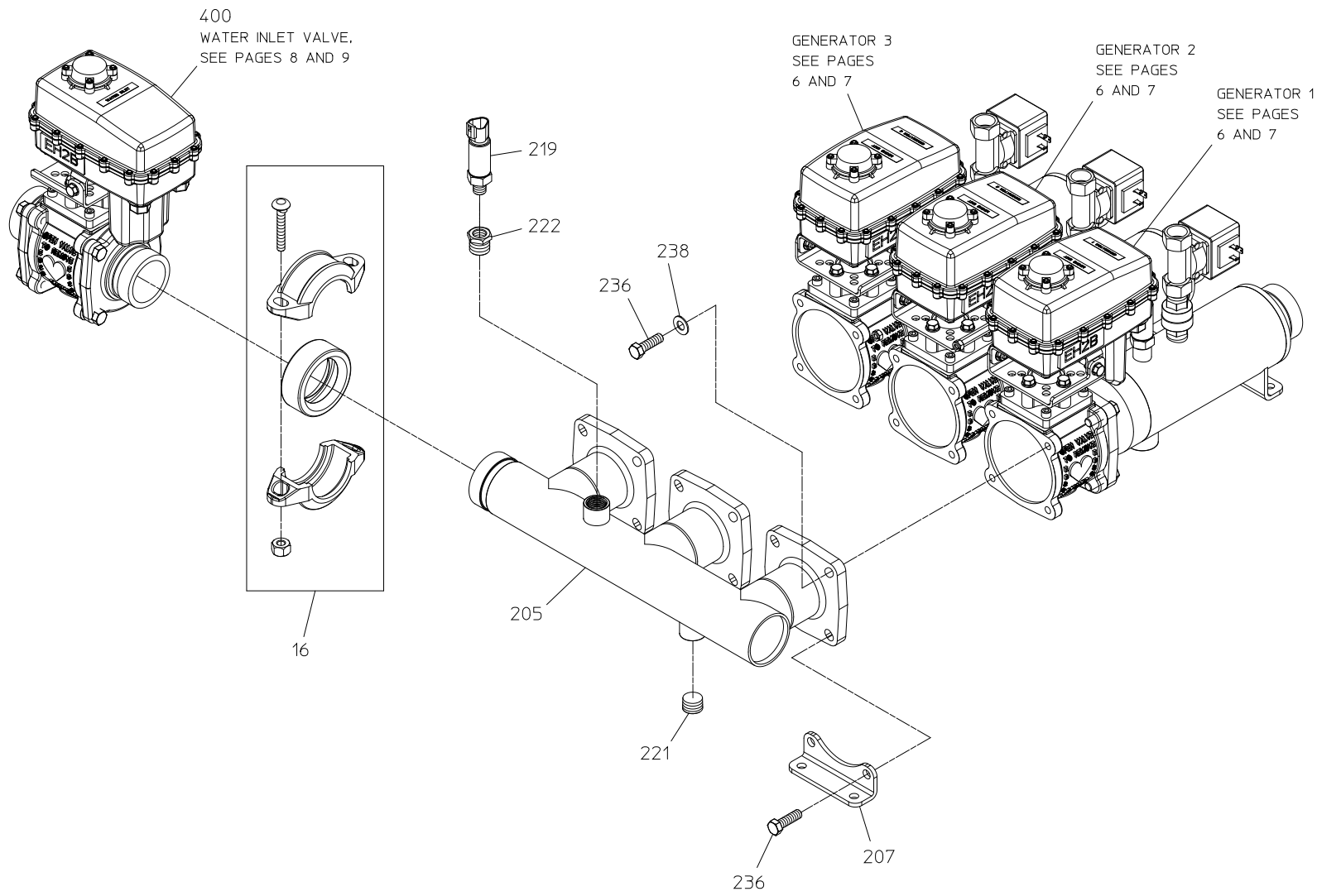
**FOAM GENERATORS
MANIFOLD AND WATER INLET VALVE**

DOUBLE GENERATORS

Foam Generators
Manifold and Water Inlet Valve – Triple Generators

REF NO.	DESCRIPTION
16	2 in. Victaulic Coupling
205	2 in. Victaulic Manifold, Triple
207	Manifold Bracket
219	Pressure Sensor
221	Pipe Plug, 1/2 NPT

REF NO.	DESCRIPTION
222	Reducing Bushing, 1/2 MNPT x 1/4 FNPT
236	Hex Head Screw, 3/8-16 x 1-1/4 in.
238	Plain Washer, 3/8 in.
400	2 in. Water Inlet Ball Valve Sub-assembly



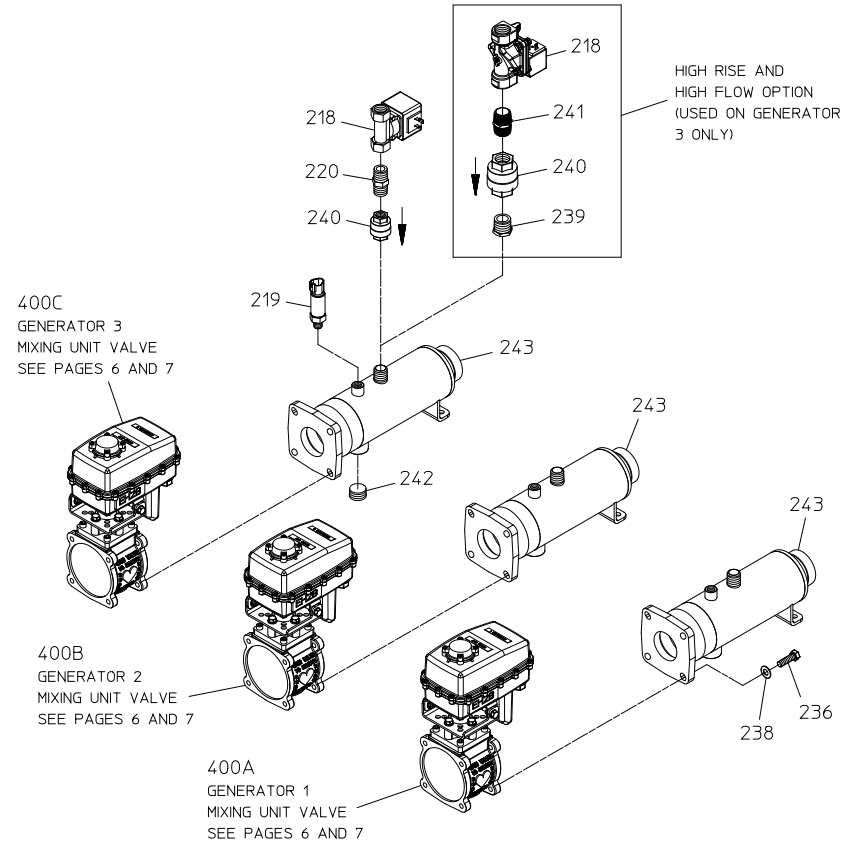
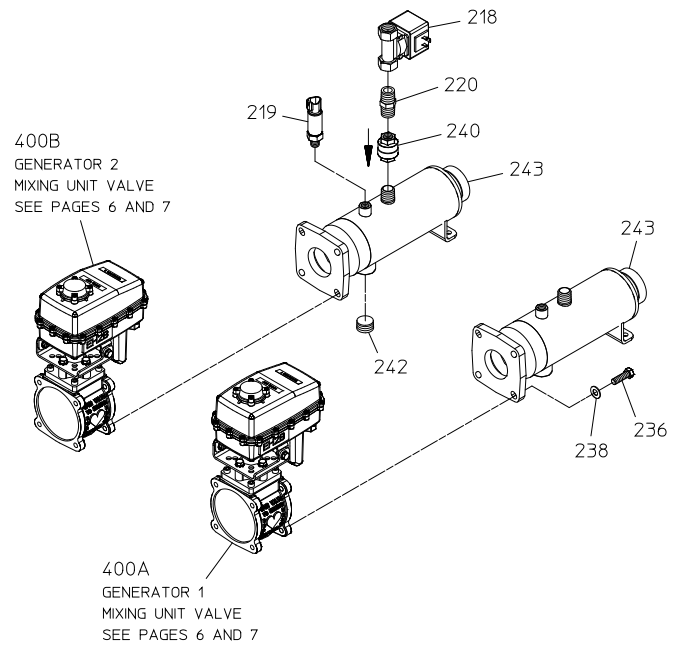
**FOAM GENERATORS
MANIFOLD AND WATER INLET VALVE**

TRIPLE GENERATORS

Foam Generators
 Mixing Valve and Air Fittings

REF NO.	DESCRIPTION
218	Solenoid Valve (12 or 24 Volt)
219	Pressure Sensor
220	Pipe Nipple, 1/2 NPT x 1-1/8 in. or 1-7/8 in.
236	Hex Head Screw, 3/8-16 x 1-1/4 in.
238	Plain Washer, 3/8 in.
239	Pipe Bushing, 1/2 FNPT x 3/4 MNPT
240	Check Valve

REF NO.	DESCRIPTION
241	Pipe Nipple, 3/4 MNPT x 1-3/8 in. or 2 in.
242	Pipe Plug, 3/4 NPT
243	Foamulator Mixing Chamber
400A	Ball Valve Sub-ass'y, Generator Position No. 1
400B	Ball Valve Sub-ass'y, Generator Position No. 2
400C	Ball Valve Sub-ass'y, Generator Position No. 3

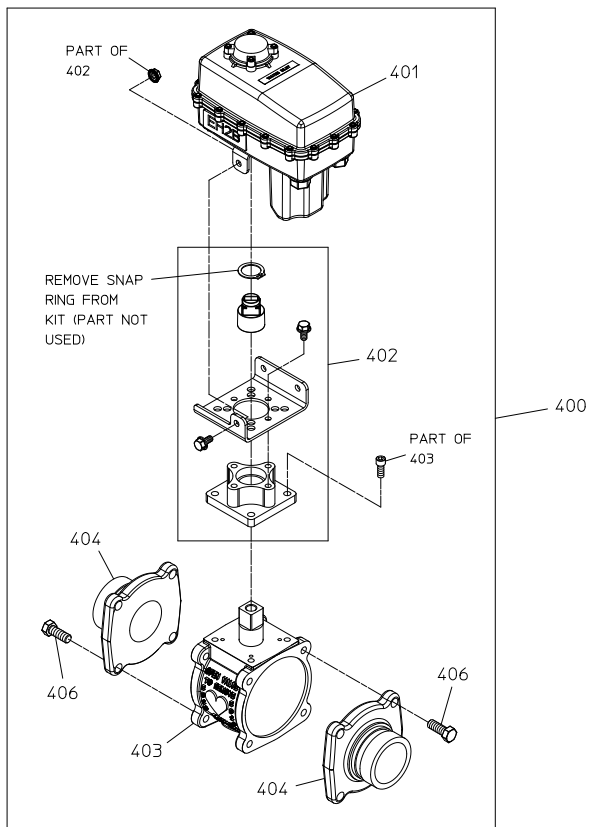


FOAM GENERATORS
MIXING VALVE AND AIR FITTINGS

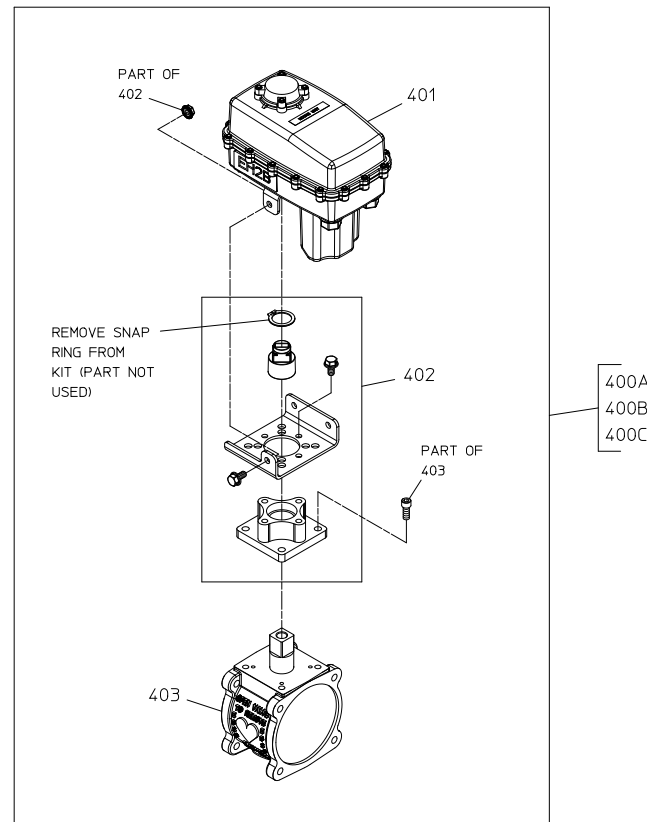
Foam Generators
Valve Sub-assemblies

REF NO.	DESCRIPTION
400	2 in. Water Inlet Ball Valve Sub-ass'y
400A	2 in. Mixing Unit Ball Valve Sub-ass'y, Generator Position No. 1
400B	2 in. Mixing Unit Ball Valve Sub-ass'y, Generator Position No. 2
400C	2 in. Mixing Unit Ball Valve Sub-ass'y, Generator Position No. 3

REF NO.	DESCRIPTION
401	Valve Actuator
402	Actuator Mounting Kit
403	2 in. Ball Valve
404	2 in. Victaulic Adapter (Optional)
406	Hex Head Screw, 3/8-16 x 1 in.



WATER INLET VALVE



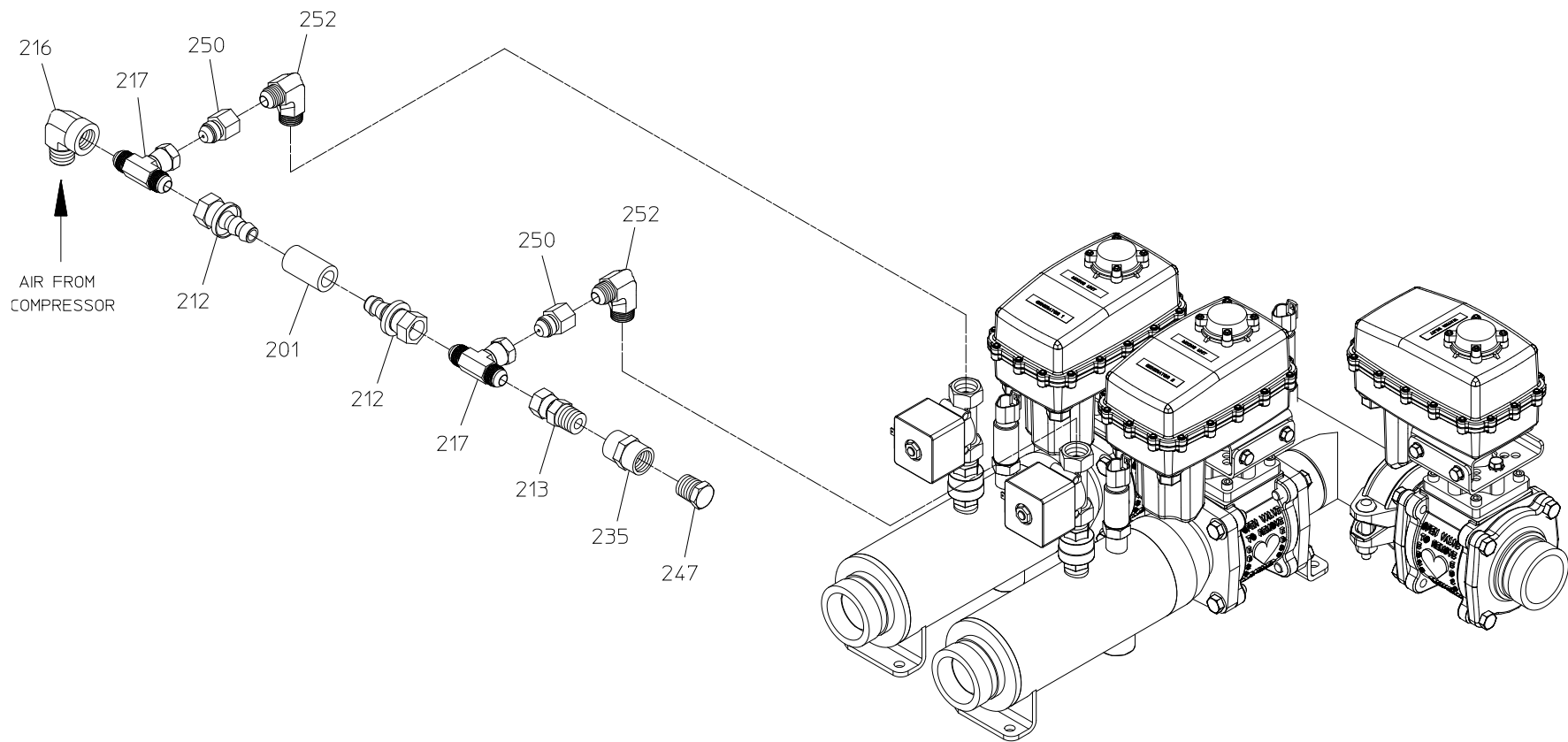
MIXING UNIT VALVE

**FOAM GENERATORS
VALVE SUB-ASSEMBLIES**

Foam Generators
Air From Compressor – Double Generators

REF NO.	DESCRIPTION
201	Push On Hose, 1/2 in. x 24 in.
212	Hose Barb, 1/2 x 8 FJIC
213	Connector Fitting, 8 FJIC x 1/2 MNPT
216	Elbow Fitting, 90 Deg., 8 MJIC x 8 FJIC
217	Tee Fitting, 8 MJIC x 8 FJIC

REF NO.	DESCRIPTION
235	Pipe Coupling, 1/2 FNPT
247	Pipe Plug, 1/2 NPT
250	Air Restrictor Fitting
252	Elbow Fitting, 90 Deg., 1/2 MNPT x 8 MJIC

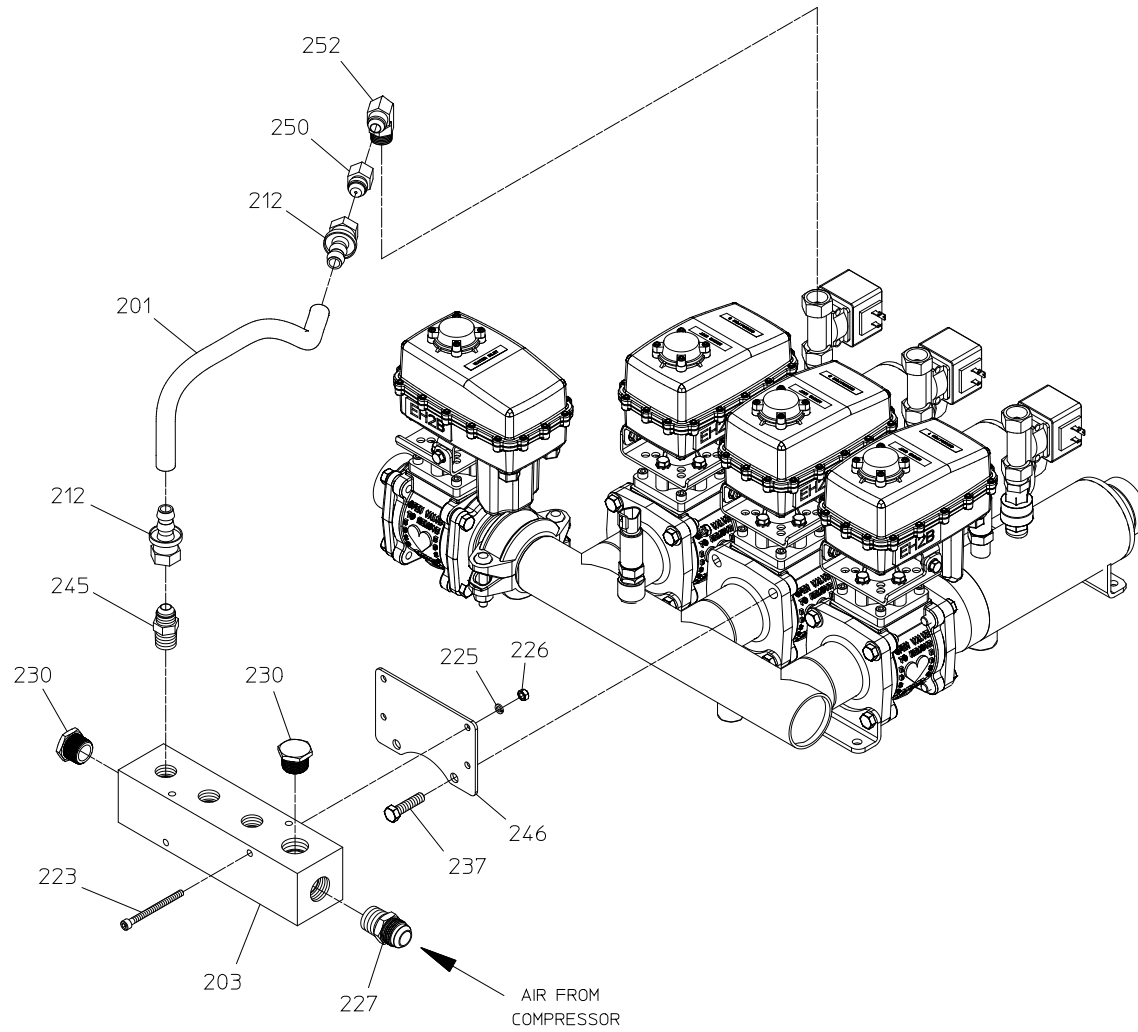


FOAM GENERATORS
AIR FROM COMPRESSOR
 DOUBLE GENERATORS

Foam Generators
Air From Compressor – Triple Generators

REF NO.	DESCRIPTION
201	Push On Hose, 1/2 in. x 24 in.
203	4 Port Air Manifold
212	Hose Barb, 1/2 x 8 FJIC
223	Socket Head Screw, M6x1 x 75mm
225	Hex Nut, M6x1
226	Lock Washer, 6mm
227	Connector Fitting, 12 MJIC x 3/4 MNPT

REF NO.	DESCRIPTION
230	Pipe Plug, 3/4 NPT
237	Hex Head Screw, 3/8-16 x 1-1/2 in.
245	Fitting, 8 MJIC x 1/2 MNPT
246	Air Manifold Bracket
250	Air Restrictor Fitting
252	Elbow Fitting, 90 Deg., 1/2 MNPT x 8 MJIC

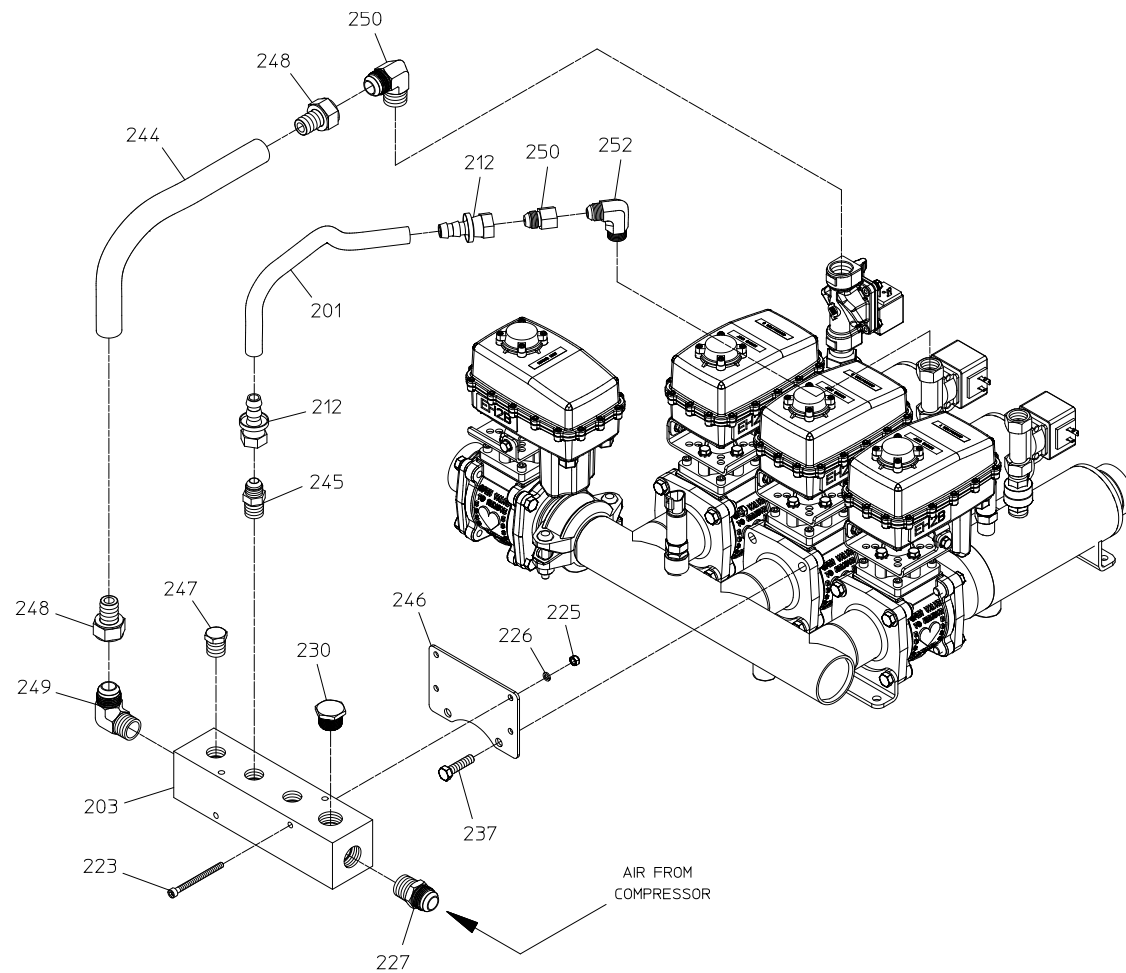


FOAM GENERATORS
AIR FROM COMPRESSOR
 TRIPLE GENERATORS

Foam Generators
 Air From Compressor – Triple Generators
 High Rise and High Flow

REF NO.	DESCRIPTION
201	Push On Hose, 1/2 in. x 24 in.
203	4 Port Air Manifold
212	Hose Barb, 1/2 x 8 FJIC
223	Socket Head Screw, M6x1 x 75mm
225	Hex Nut, M6x1
226	Lock Washer, 6mm
227	Connector Fitting, 12 MJIC x 3/4 MNPT
230	Pipe Plug, 3/4 NPT
237	Hex Head Screw, 3/8-16 x 1-1/2 in.

REF NO.	DESCRIPTION
244	Push On Hose, 3/4 in. x 18 in.
245	Fitting, 8 MJIC x 1/2 MNPT
246	Air Manifold Bracket
247	Pipe Plug, 1/2 MNPT
248	Hose Barb, 3/4 x 12 FJIC
249	Elbow Fitting, 90°, 12 MJIC x 3/4 MNPT
250	Air Restrictor Fitting
252	Fitting – Elbow, 90 Deg., 1/2 MNPT x 8 MJIC



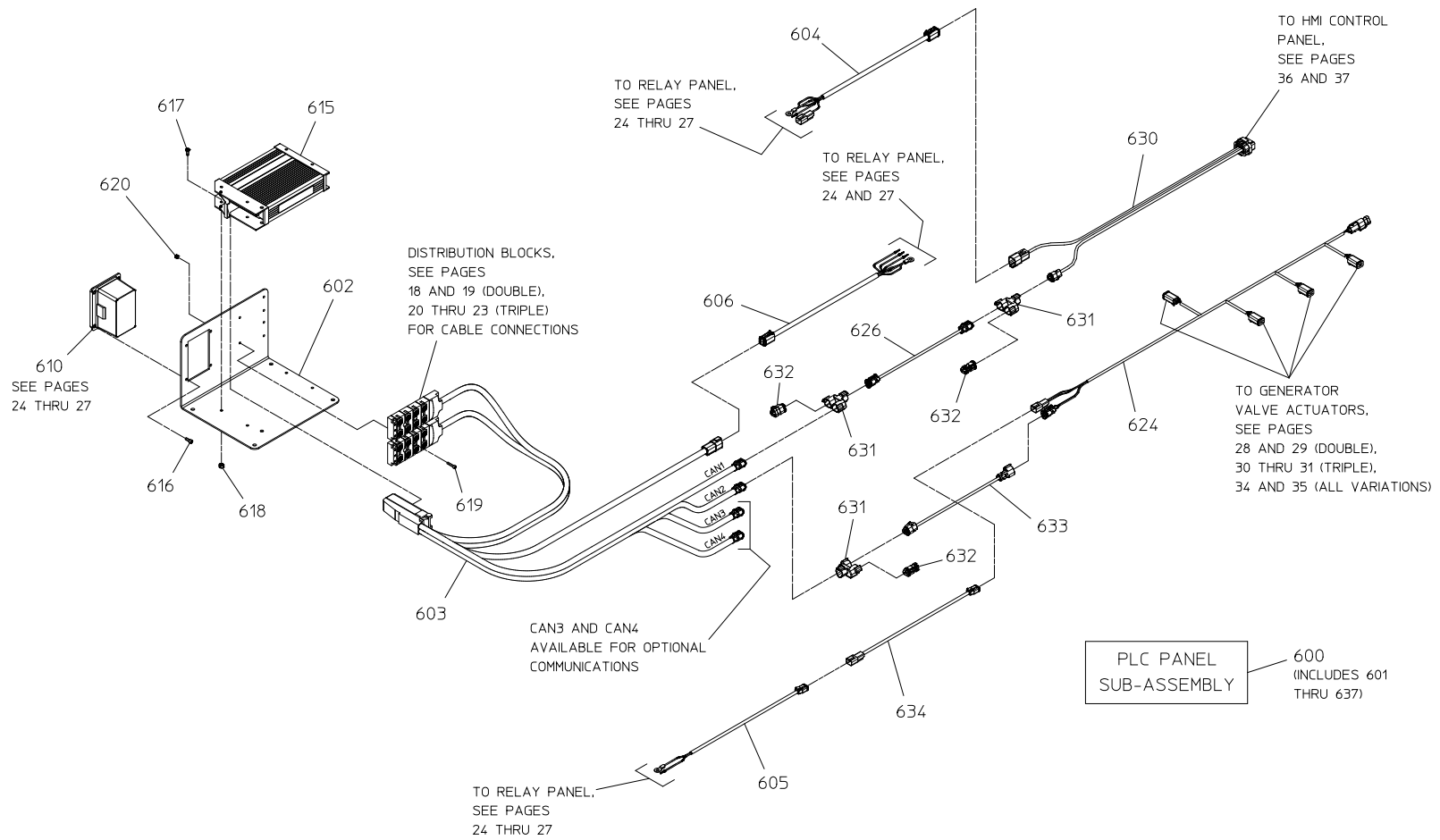
FOAM GENERATORS
AIR FROM COMPRESSOR

TRIPLE GENERATORS
 HIGH RISE AND HIGH FLOW

PLC Components

REF NO.	DESCRIPTION
600	PLC Panel Sub-ass'y (Includes 601 thru 637)
602	Fuse Block Panel
603	PLC/IFM Wire Harness
604	HMI Power Cable
605	Valve Power Cable
606	PLC Power Cable
610	Mini Fuse Relay Panel
615	Mobile I/O Controller
616	Hex Socket Head Screw, 10-32 x 1/2 in.
617	Pan Head Screw, 10-24 x 1/2 in.
618	Nylok Hex Nut, 10-24

REF NO.	DESCRIPTION
619	Socket Head Screw, M4x0.7 x 20mm
620	Nylok Hex Nut, M4x0.7
624	PLC Harness
626	CAN1 Extension Cable
630	HMI Harness (HMI Power)
631	3 Way Receptacle
632	Resistor Plug
633	CAN2 Extension Cable
634	Valve Power Extension Cable

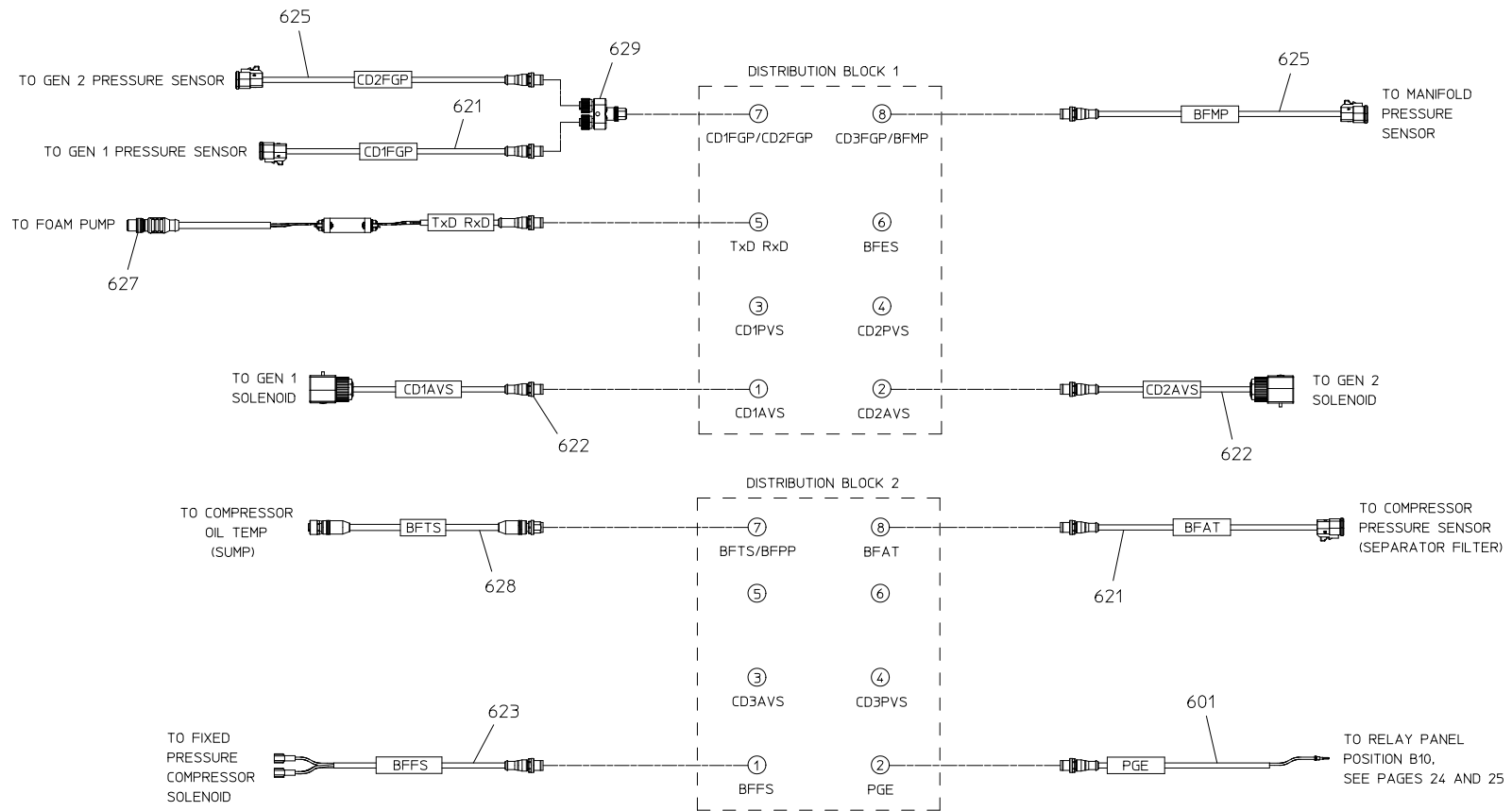


**PLC
COMPONENTS**

PLC Cable Connections
Distribution Block – Double Generators

REF NO.	DESCRIPTION
601	Throttle Up Cable
621	Pressure Transducer Cable
622	Solenoid Cable
623	Fixed Solenoid Cable

REF NO.	DESCRIPTION
625	Pressure Transducer Cable
627	Converter Wiring Assembly
628	Temperature Sensor Cable
629	Y Distributor, M12

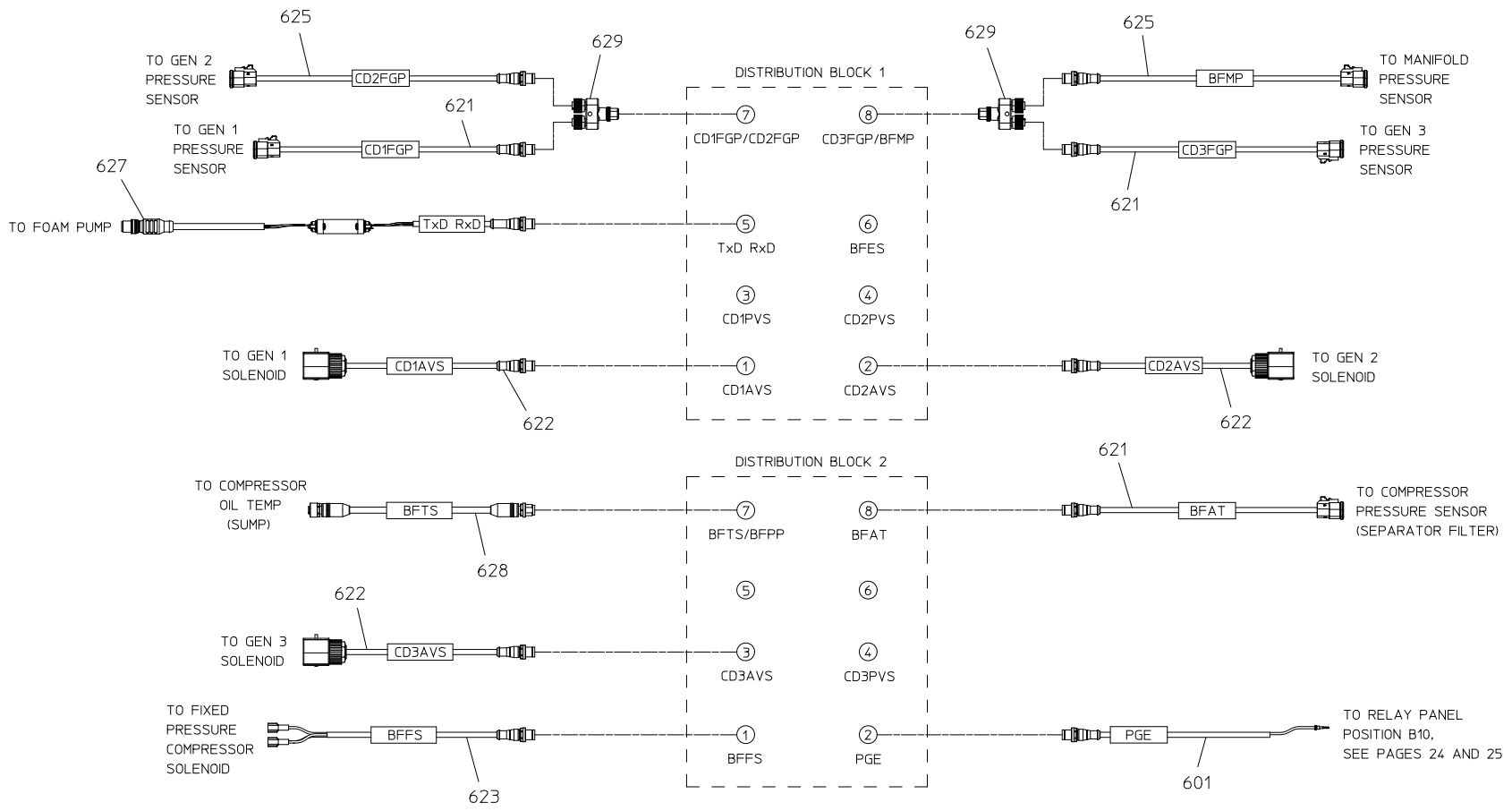


PLC CABLE CONNECTIONS
DISTRIBUTION BLOCK
 DOUBLE GENERATORS

PLC Cable Connections
Distribution Block – Triple Generators

REF NO.	DESCRIPTION
601	Throttle Up Cable
621	Pressure Transducer Cable
622	Solenoid Cable
623	Fixed Solenoid Cable

REF NO.	DESCRIPTION
625	Pressure Transducer Cable
627	Converter Wiring Assembly
628	Temperature Sensor Cable
629	Y Distributor, M12



PLC CABLE CONNECTIONS
DISTRIBUTION BLOCK

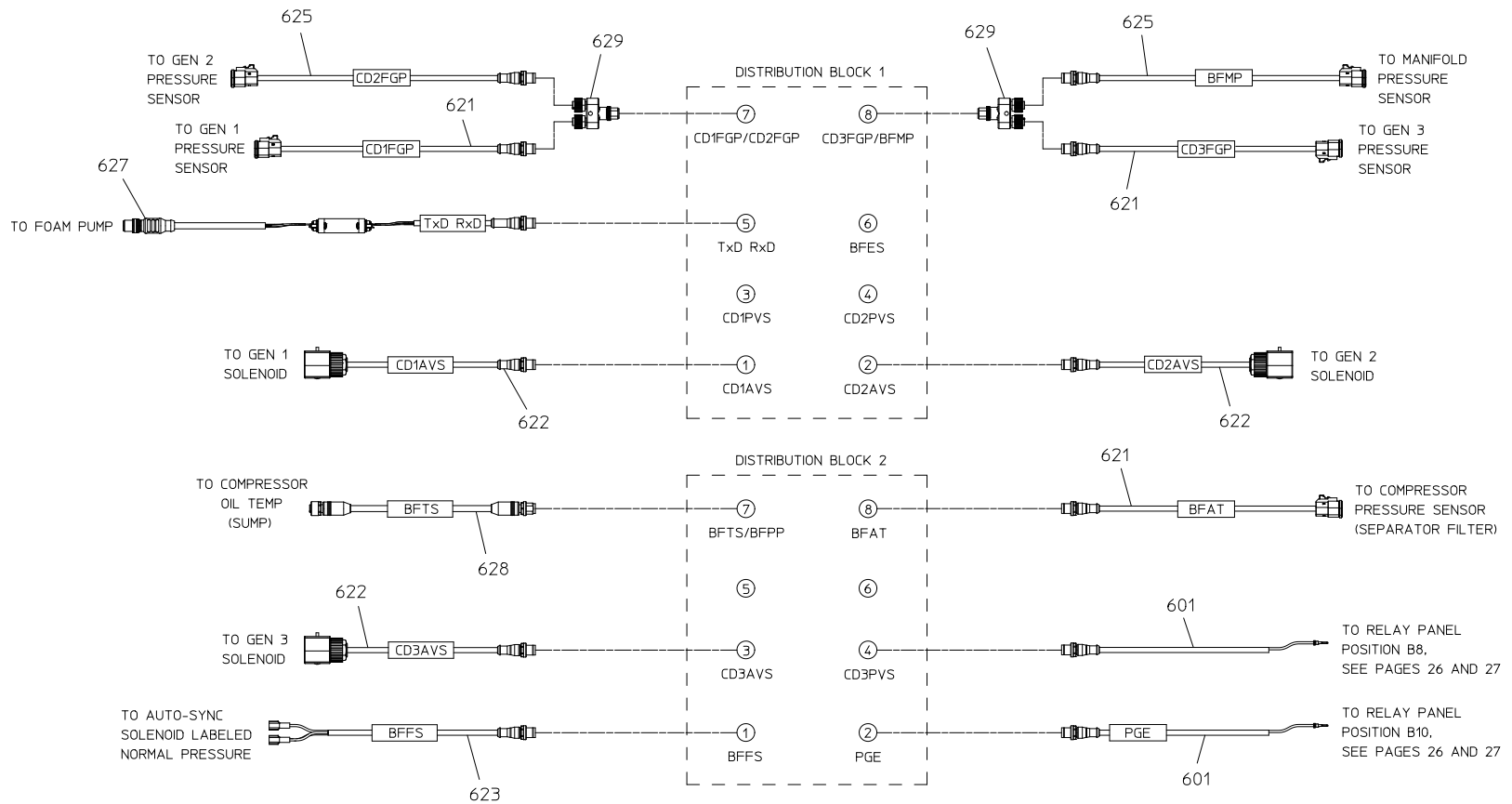
TRIPLE GENERATORS
(STANDARD AND HIGH FLOW OPTION)

PLC Cable Connections

Distribution Block – Triple Generators (with High Rise Option)

REF NO.	DESCRIPTION
601	Throttle Up Cable
621	Pressure Transducer Cable
622	Solenoid Cable
623	Fixed Solenoid Cable

REF NO.	DESCRIPTION
625	Pressure Transducer Cable
627	Converter Wiring Assembly
628	Temperature Sensor Cable
629	Y Distributor, M12



PLC CABLE CONNECTIONS

DISTRIBUTION BLOCK

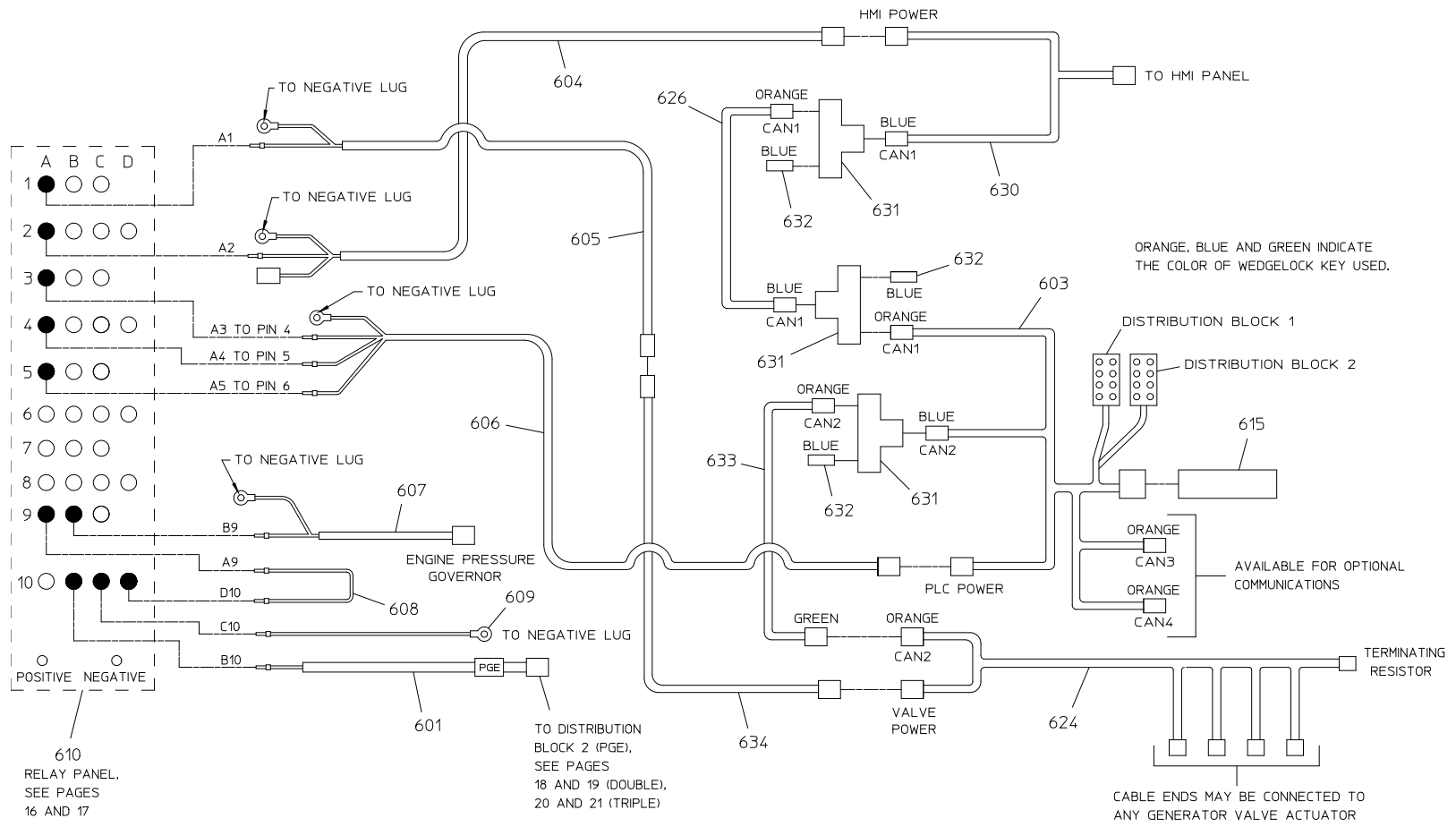
TRIPLE GENERATORS
WITH HIGH RISE OPTION

PLC Cable Connections

Relay Panel

REF NO.	DESCRIPTION
601	Throttle Up Cable
603	IFM/PLC Wire Harness
604	HMI Power Cable
605	Valve Power Cable
606	PLC Power Cable
607	High Idle Cable
608	Power Relay Wire
609	Ground Relay Wire

REF NO.	DESCRIPTION
615	Mobile I/O Controller
624	PLC Harness
626	CAN1 Extension Cable
630	HMI Harness
631	3 Way Receptacle
632	Resistor Plug
633	CAN2 Extension Cable
634	Valve Power Extension Cable



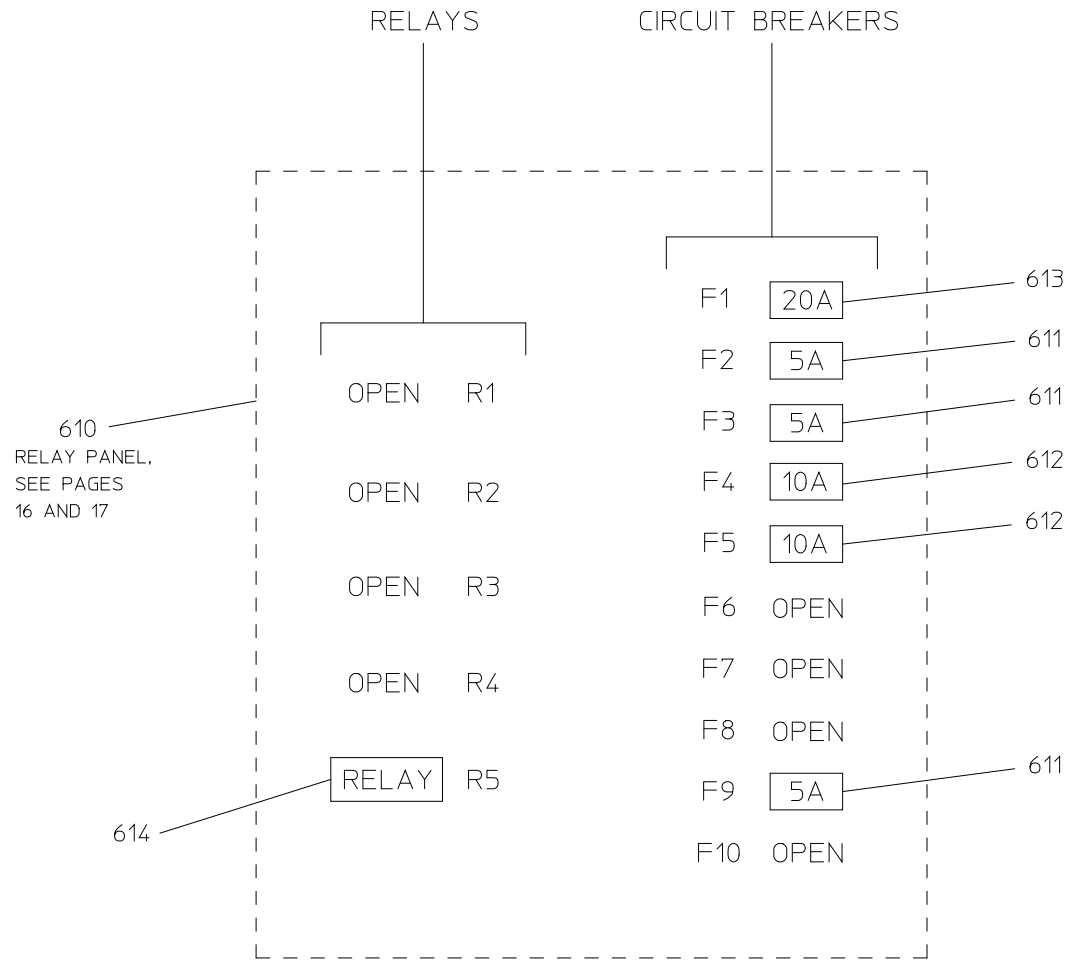
PLC CABLE CONNECTIONS
RELAY PANEL

DOUBLE GENERATORS
 TRIPLE GENERATORS - STANDARD AND HIGH FLOW, HIGH RISE OPTION

PLC Circuit Breaker Panel

REF NO.	DESCRIPTION
610	Mini Fuse Relay Panel
611	Circuit Breaker, 5A
612	Circuit Breaker, 10A

REF NO.	DESCRIPTION
613	Circuit Breaker, 20A
614	Power Relay, 12V



PLC CIRCUIT BREAKER PANEL

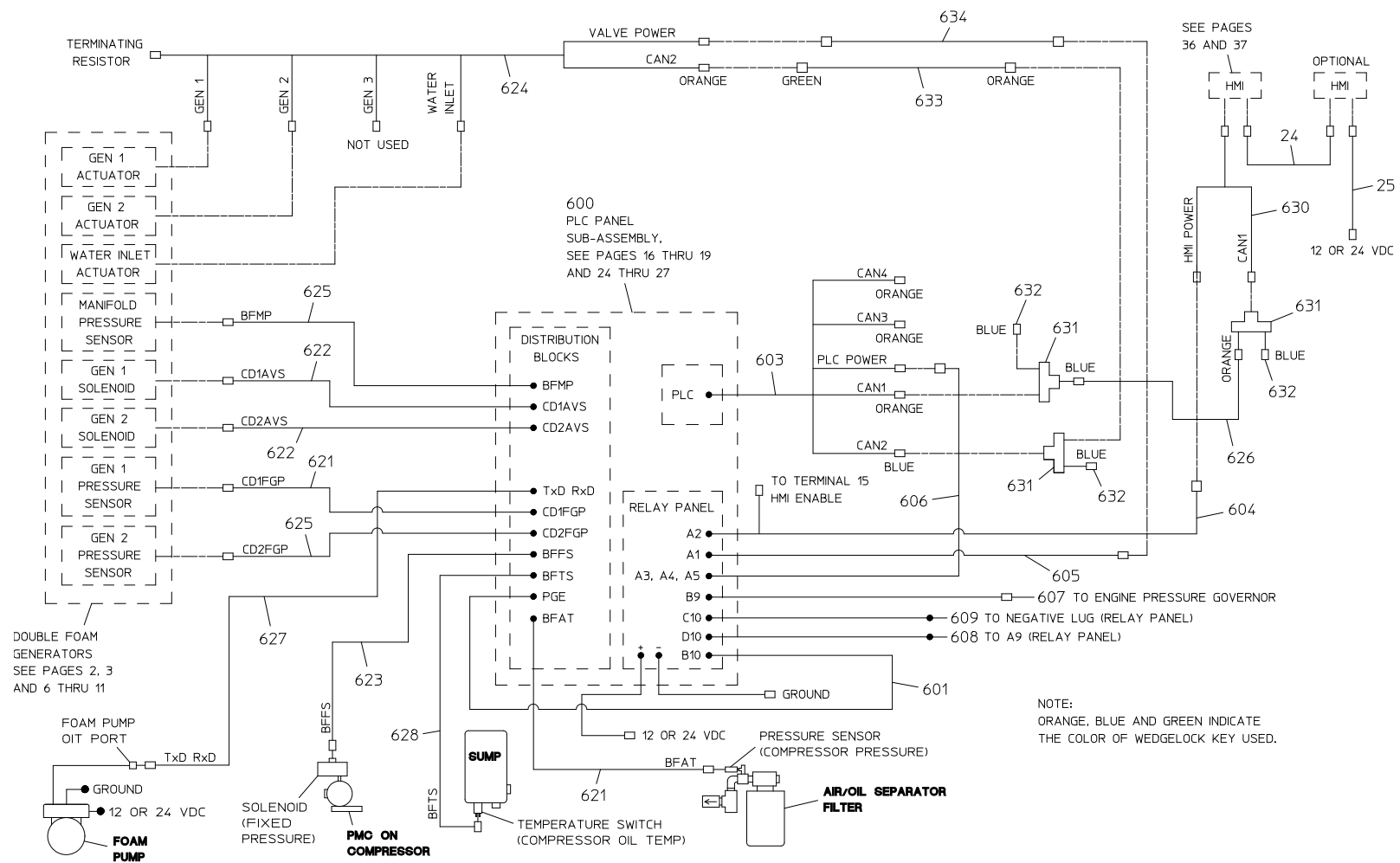
System Cable Connections

Double Generators

REF NO.	DESCRIPTION
24	Ethernet Cable
25	HMI Cable
600	PLC Panel Sub-assembly (Includes 601 thru 634)
601	Throttle Up Cable
603	IFM/PLC Wire Harness
604	HMI Power Cable
605	Valve Power Cable
606	PLC Power Cable
607	High Idle Cable
608	Power Relay Wire
609	Ground Relay Wire
621	Pressure Transducer Cable
622	Solenoid Cable

REF NO.	DESCRIPTION
623	Solenoid Fixed Cable
624	PLC Harness
625	Pressure Transducer Cable
626	CAN1 Extension Cable
627	Converter Wiring Assembly
628	Temperature Sensor Cable
630	HMI Harness
631	3 Way Receptacle
632	Resistor Plug
633	CAN2 Extension Cable
634	Valve Power Extension Cable

Foam Pump	See Separate Foam Pump Service Parts List
PMC	See Separate Compressor Service Parts List
Sump	
Air Oil Separator Filter	



SYSTEM CABLE CONNECTIONS
DOUBLE GENERATORS

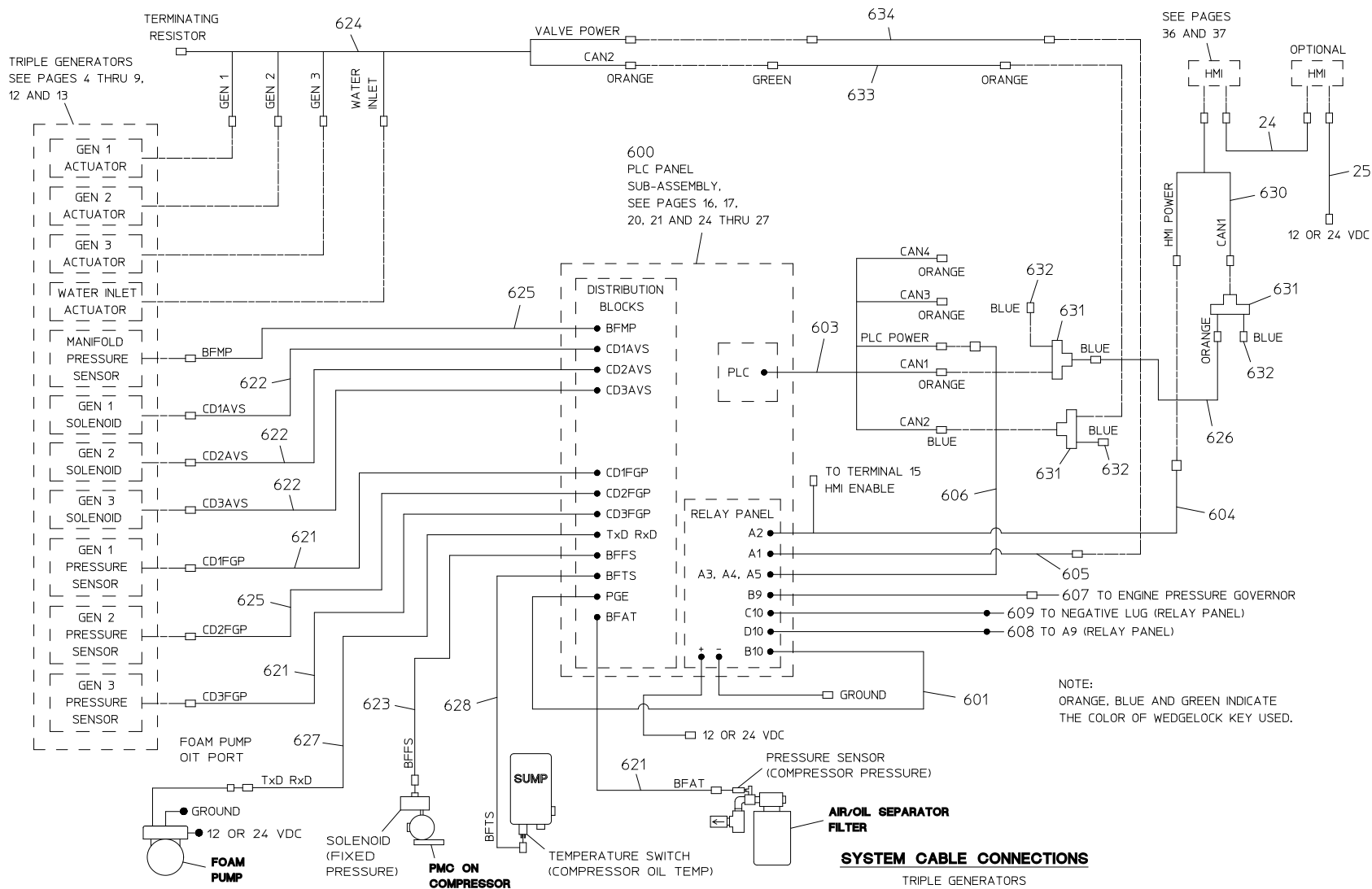
System Cable Connections

Triple Generators

REF NO.	DESCRIPTION
24	Ethernet Cable
25	HMI Cable
600	PLC Panel Sub-assembly (Includes 601 thru 634)
601	Throttle Up Cable
603	IFM/PLC Wire Harness
604	HMI Power Cable
605	Valve Power Cable
606	PLC Power Cable
607	High Idle Cable
608	Power Relay Wire
609	Ground Relay Wire
621	Pressure Transducer Cable
622	Solenoid Cable
623	Solenoid Fixed Cable

REF NO.	DESCRIPTION
624	PLC Harness
625	Pressure Transducer Cable
626	CAN1 Extension Cable
627	Converter Wiring Assembly
628	Temperature Sensor Cable
630	HMI Harness
631	3 Way Receptacle
632	Resistor Plug
633	CAN2 Extension Cable
634	Valve Power Extension Cable

Foam Pump	See Separate Foam Pump Service Parts List
PMC	See Separate Compressor Service Parts List
Sump	
Air Oil Separator Filter	



System Cable Connections

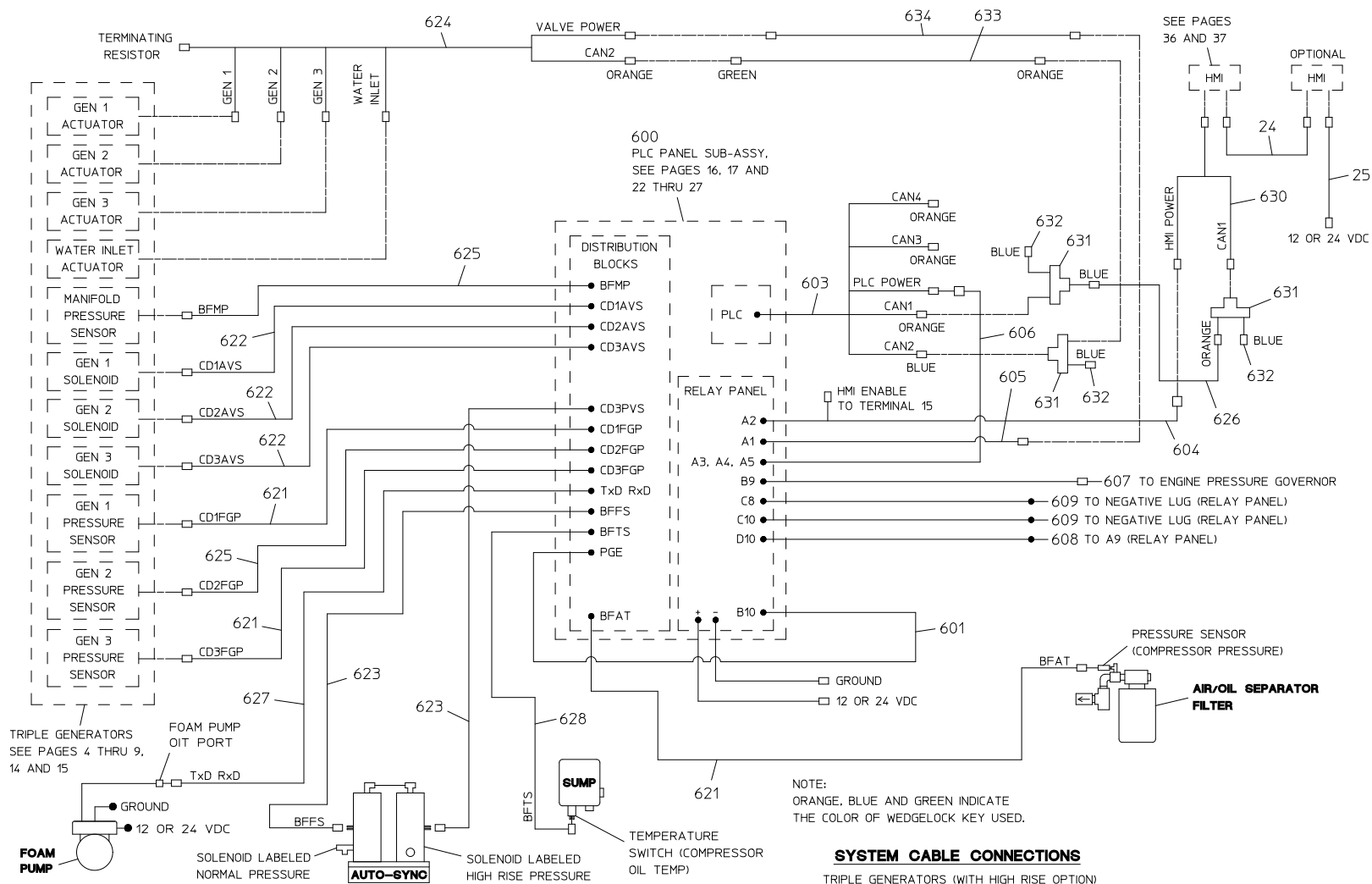
Triple Generators

(With High Rise Option)

REF NO.	DESCRIPTION
24	Ethernet Cable
25	HMI Cable
600	PLC Panel Sub-assembly (Includes 601 thru 637)
601	Throttle Up Cable
603	IFM/PLC Wire Harness
604	HMI Power Cable
605	Valve Power Cable
606	PLC Power Cable
607	High Idle Cable
608	Power Relay Wire
609	Ground Relay Wire
621	Pressure Transducer Cable
622	Solenoid Cable
623	Solenoid Fixed Cable
624	PLC Harness

REF NO.	DESCRIPTION
625	Pressure Transducer Cable
626	CAN1 Extension Cable
627	Converter Wiring Assembly
628	Temperature Sensor Cable
630	HMI Harness
631	3 Way Receptacle
632	Resistor Plug
633	CAN2 Extension Cable
634	Valve Power Extension Cable
635	High Rise Solenoid Cable
636	High Rise Fixed Solenoid Cable
637	High Rise Relay Power Harness

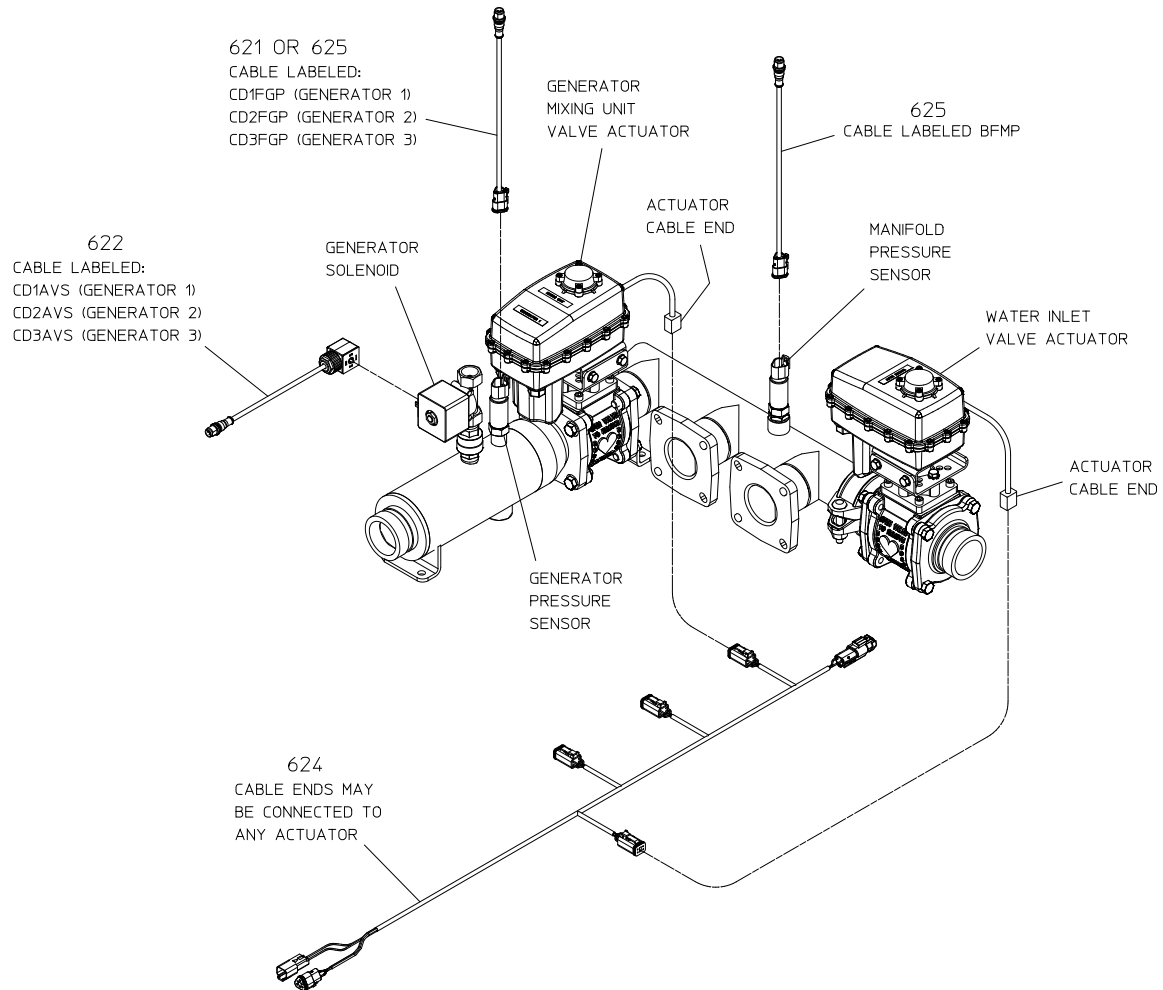
Foam Pump	See Separate Foam Pump Service Parts List
PMC	See Separate Compressor Service Parts List
Auto-Sync	
Sump	
Air Oil Separator Filter	



Cable Connection
Generators and Pressure Regulators

REF NO.	DESCRIPTION
621	Pressure Transducer Cable
622	Solenoid Cable

REF NO.	DESCRIPTION
624	PLC Harness
625	Pressure Transducer Cable



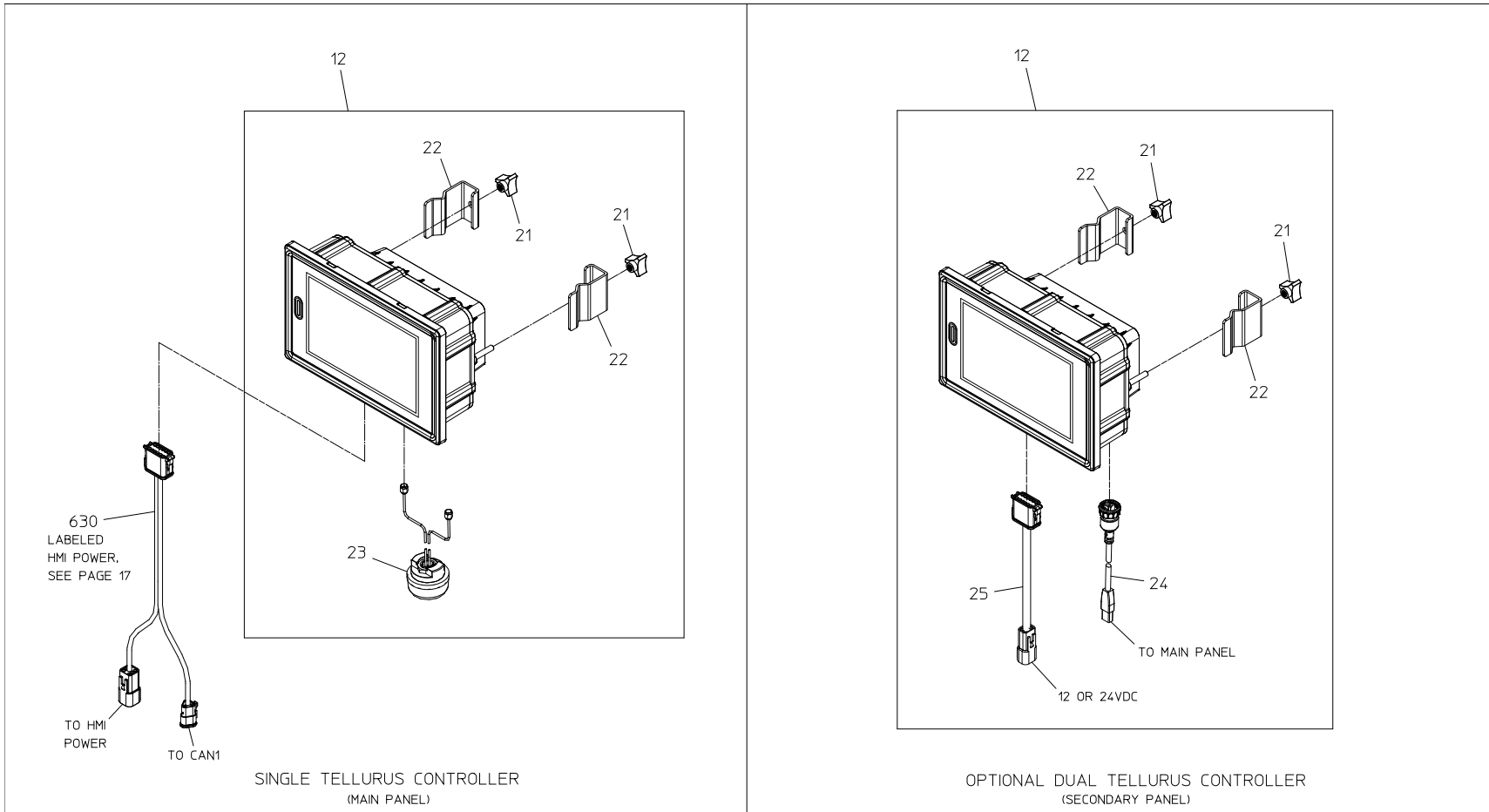
CABLE CONNECTIONS
GENERATORS

TRIPLE GENERATORS SHOWN,
GENERATORS 2 AND 3 REMOVED FOR CLARITY

HMI Control Panel

REF NO.	DESCRIPTION
12	HMI Control Panel
21	Three Arm Knob
22	Panel Clamp

REF NO.	DESCRIPTION
23	RF Antenna
24	Ethernet Cable
25	HMI Cable (HMI Power, Secondary Panel)
630	HMI Harness (HMI Power, Main Panel)



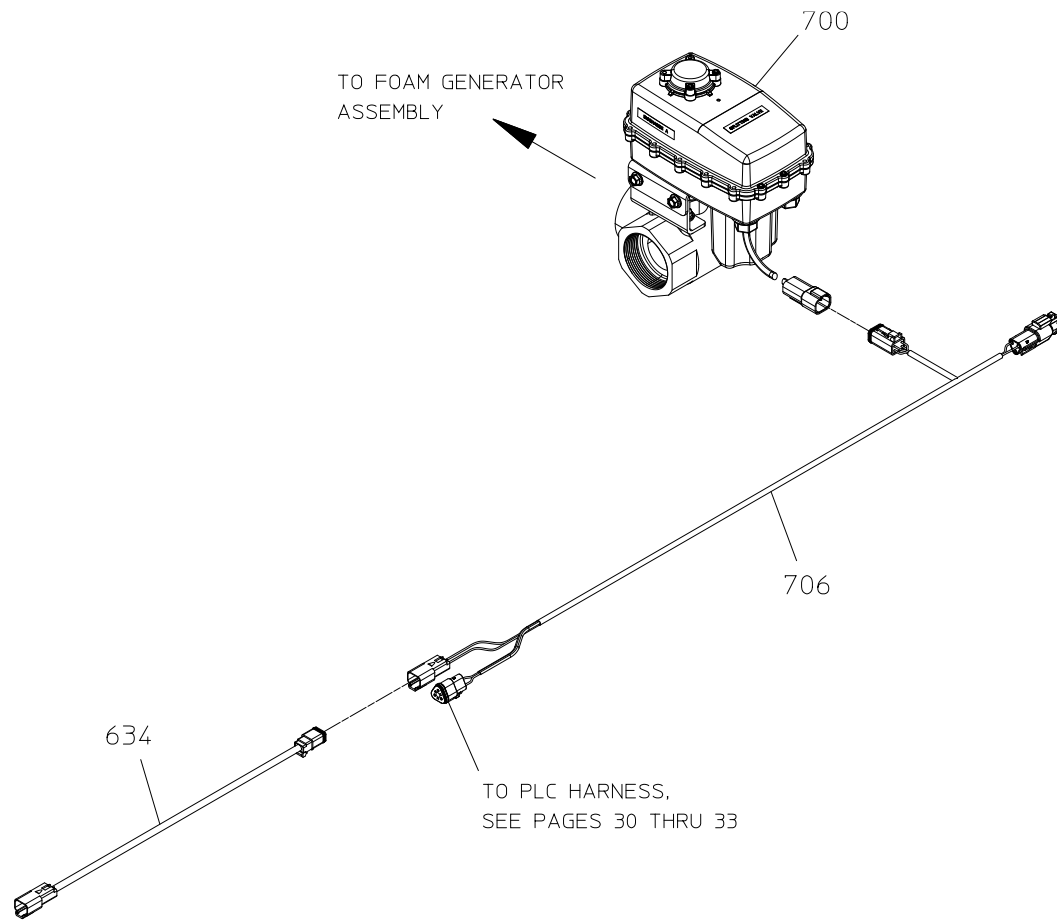
HMI CONTROL PANEL

SEE PAGES 28 THRU 33 FOR SYSTEM CABLE CONNECTIONS

Discharge Splitting Valve Option

REF NO.	DESCRIPTION
634	Valve Power Extension Cable
700	Discharge Splitting Valve Sub-ass'y
706	3-Way Wire Harness

REF NO.	DESCRIPTION



OPTIONAL DISCHARGE SPLITTING VALVE