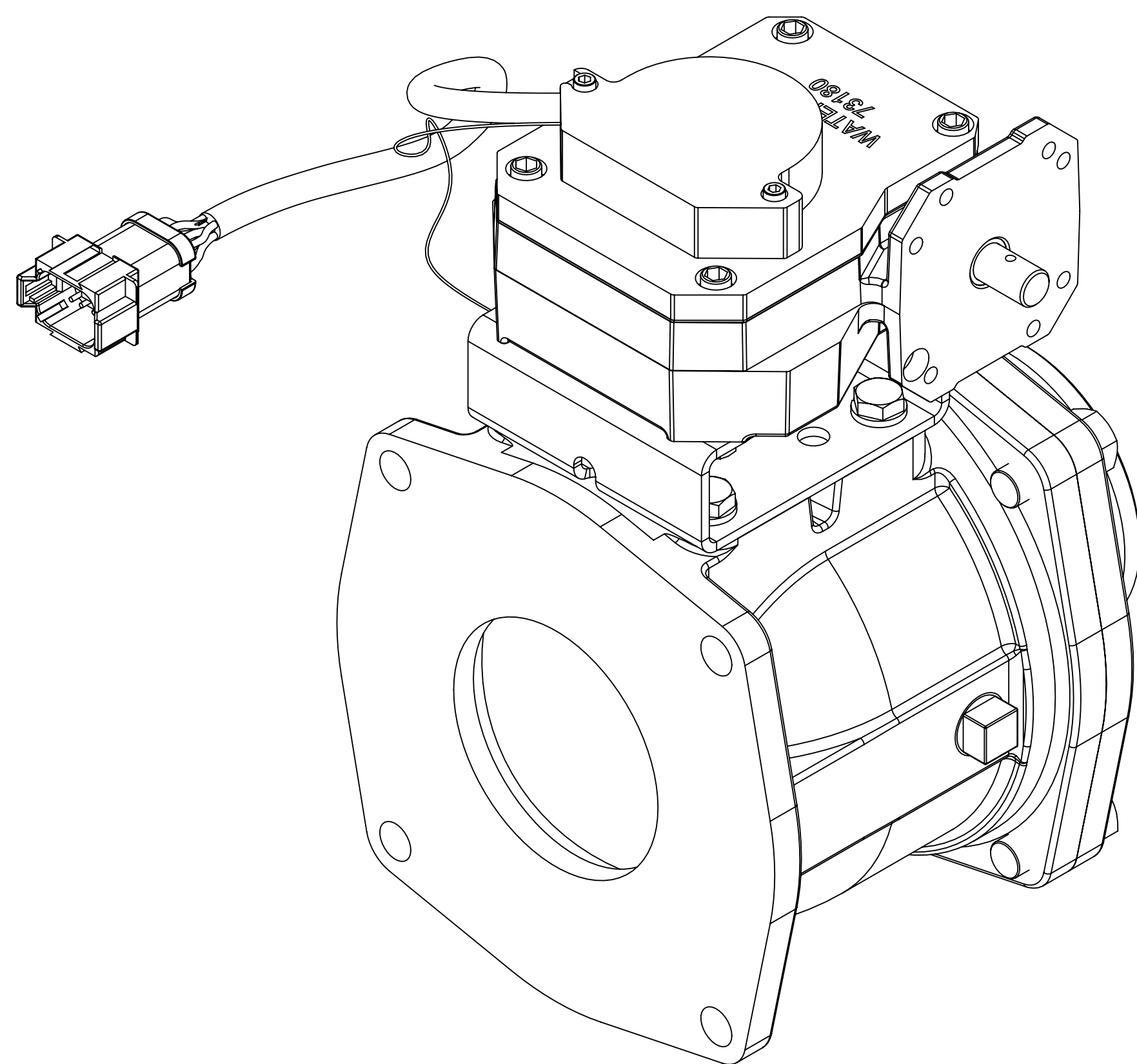


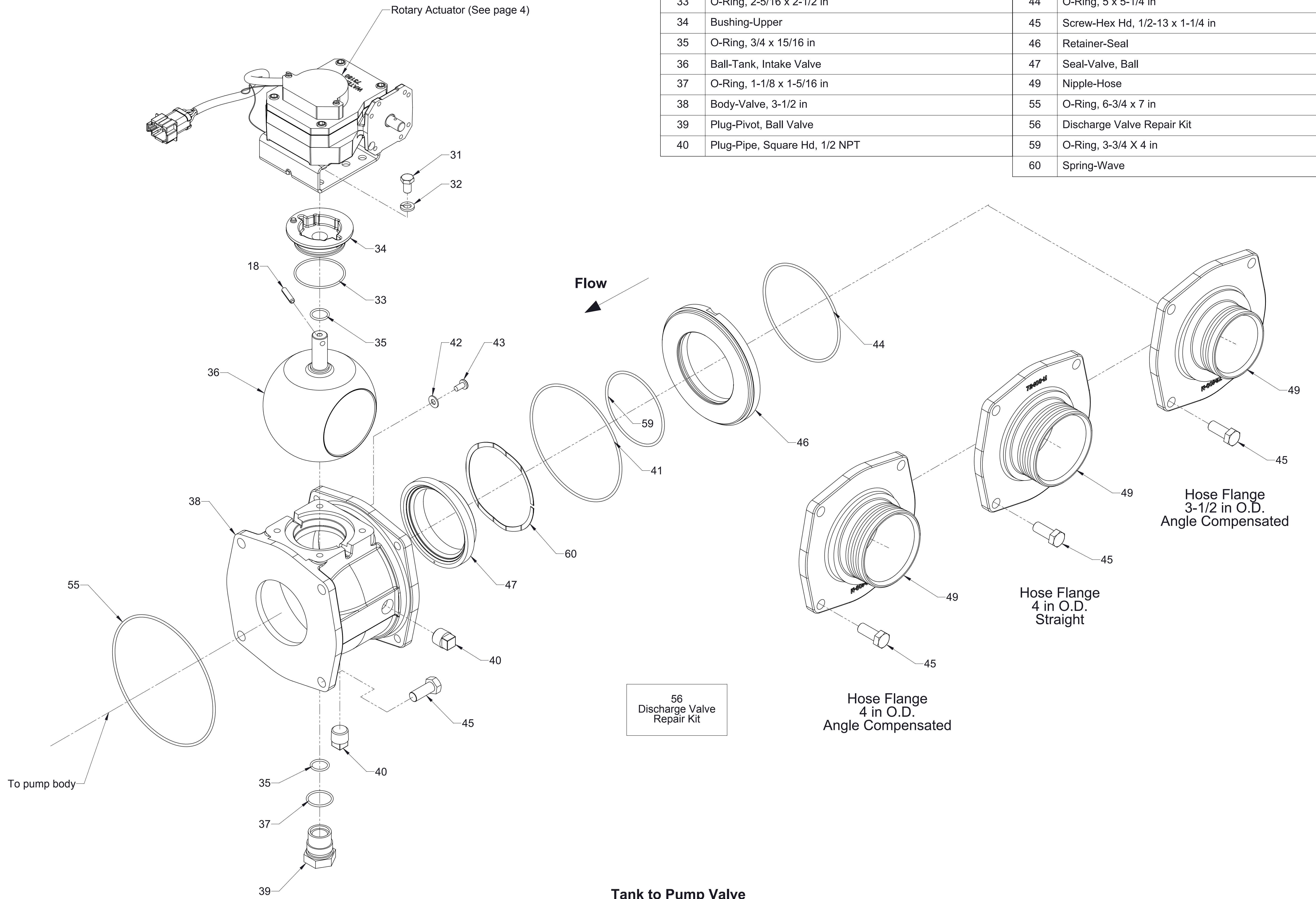
## Tank to Pump Valve with Manual Rotary Actuator

### Service Parts List

Components	See Page
Tank to Pump Valve	2
Cables and Panel Components	3
Available Repair Subassemblies	4



Ref No.	Description	Ref No.	Description
18	Pin-Spring, 1/4 x 1-1/8 in	41	O-Ring, 6 x 6-1/4 in
31	Screw-Hex Hd, 3/8-16 x 5/8 in	42	Washer-Plain, 1/4 in
32	Washer-Lock, 3/8 in	43	Screw-Machine, Pan Hd, 1/4-20 x 1/2 in
33	O-Ring, 2-5/16 x 2-1/2 in	44	O-Ring, 5 x 5-1/4 in
34	Bushing-Upper	45	Screw-Hex Hd, 1/2-13 x 1-1/4 in
35	O-Ring, 3/4 x 15/16 in	46	Retainer-Seal
36	Ball-Tank, Intake Valve	47	Seal-Valve, Ball
37	O-Ring, 1-1/8 x 1-5/16 in	49	Nipple-Hose
38	Body-Valve, 3-1/2 in	55	O-Ring, 6-3/4 x 7 in
39	Plug-Pivot, Ball Valve	56	Discharge Valve Repair Kit
40	Plug-Pipe, Square Hd, 1/2 NPT	59	O-Ring, 3-3/4 X 4 in
		60	Spring-Wave

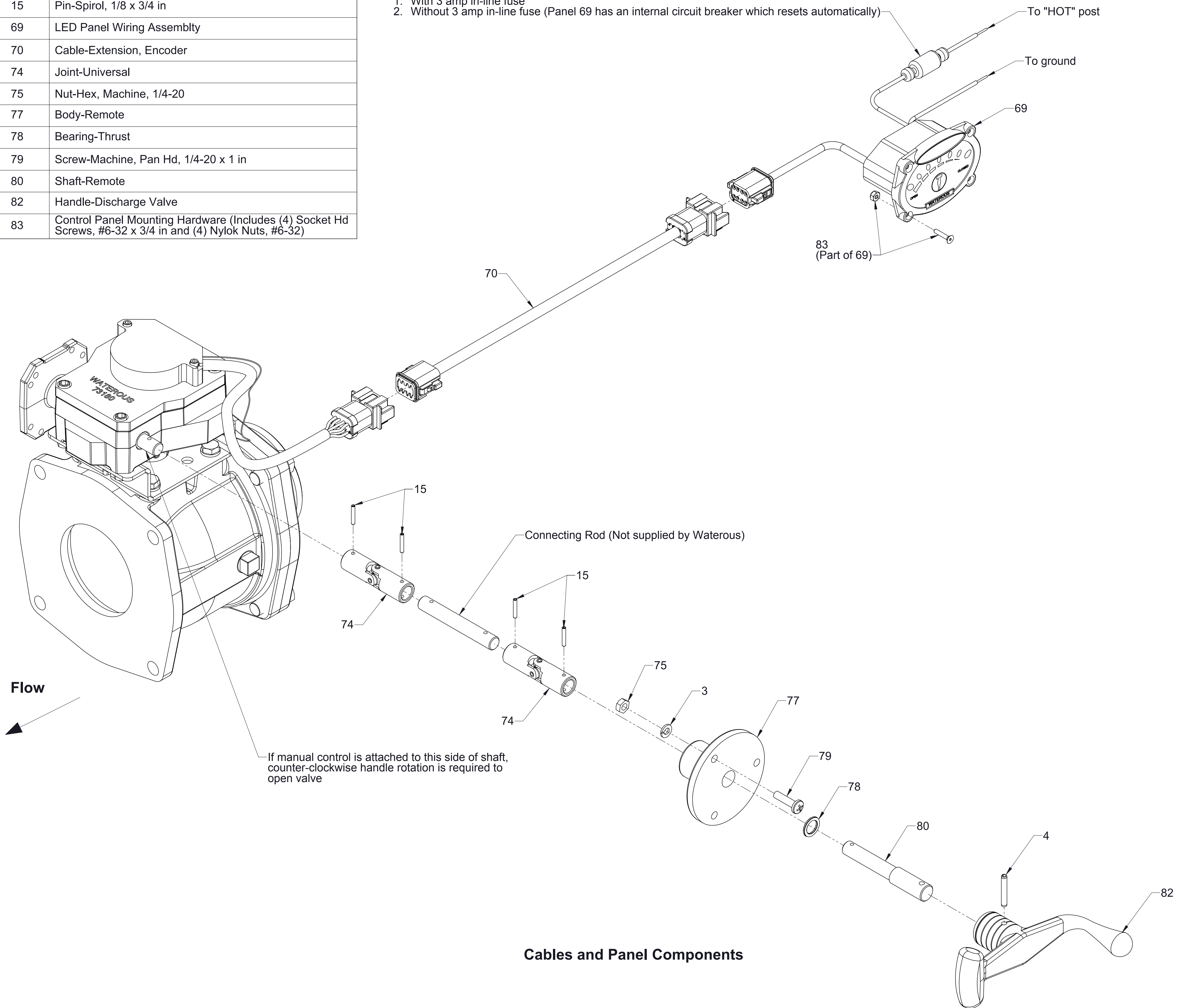


**Tank to Pump Valve**

Ref No.	Description
3	Washer-Lock, 1/4 in
4	Pin-Spring, 3/16 x 1 1/4 in
15	Pin-Spirol, 1/8 x 3/4 in
69	LED Panel Wiring Assembly
70	Cable-Extension, Encoder
74	Joint-Universal
75	Nut-Hex, Machine, 1/4-20
77	Body-Remote
78	Bearing-Thrust
79	Screw-Machine, Pan Hd, 1/4-20 x 1 in
80	Shaft-Remote
82	Handle-Discharge Valve
83	Control Panel Mounting Hardware (Includes (4) Socket Hd Screws, #6-32 x 3/4 in and (4) Nylok Nuts, #6-32)

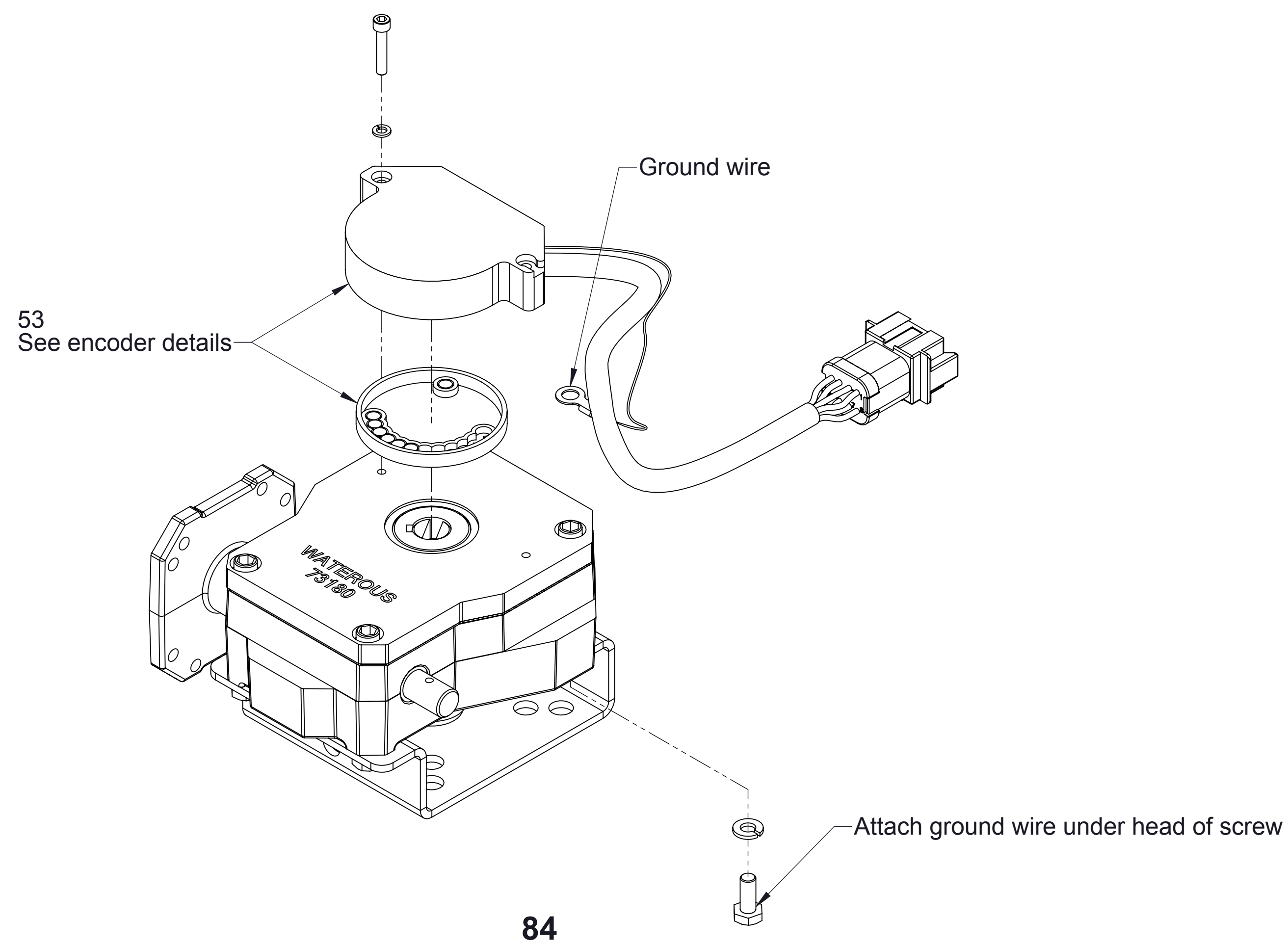
Control panel power wire furnished two ways:

1. With 3 amp in-line fuse
2. Without 3 amp in-line fuse (Panel 69 has an internal circuit breaker which resets automatically)



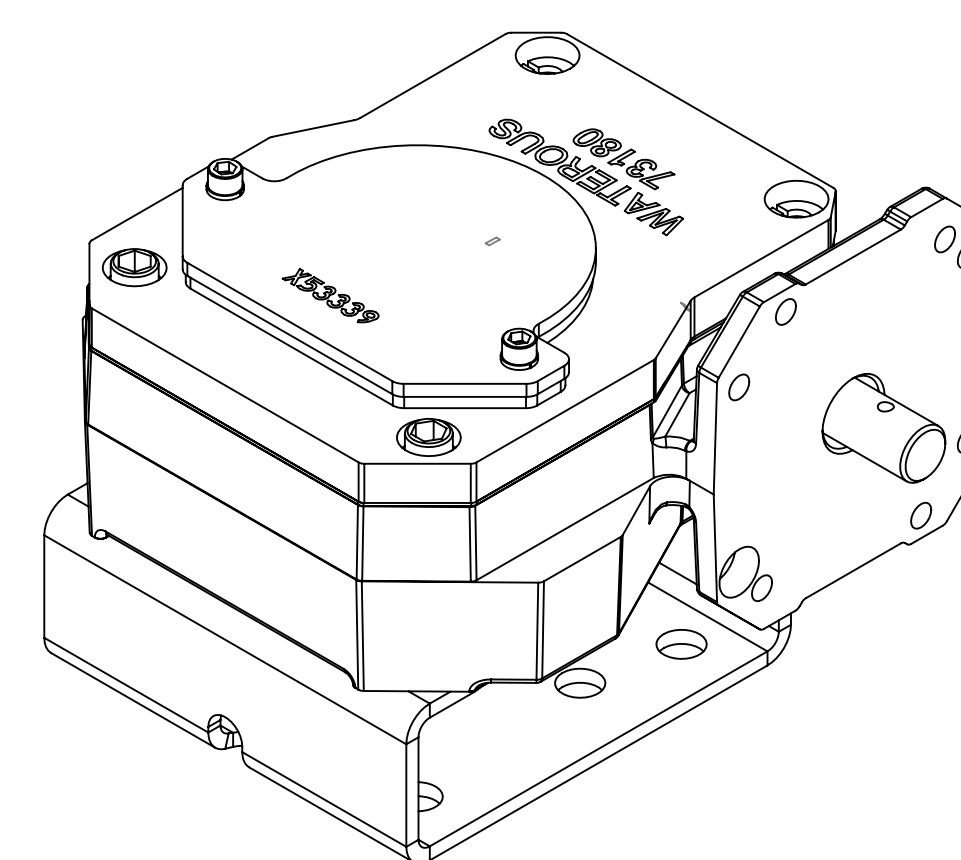
Cables and Panel Components

Ref No.	Description
53	Rotary Encoder Replacement Kit
84	Actuator Subassembly
85	Valve and Actuator Subassembly



**84**  
**Actuator Subassembly**

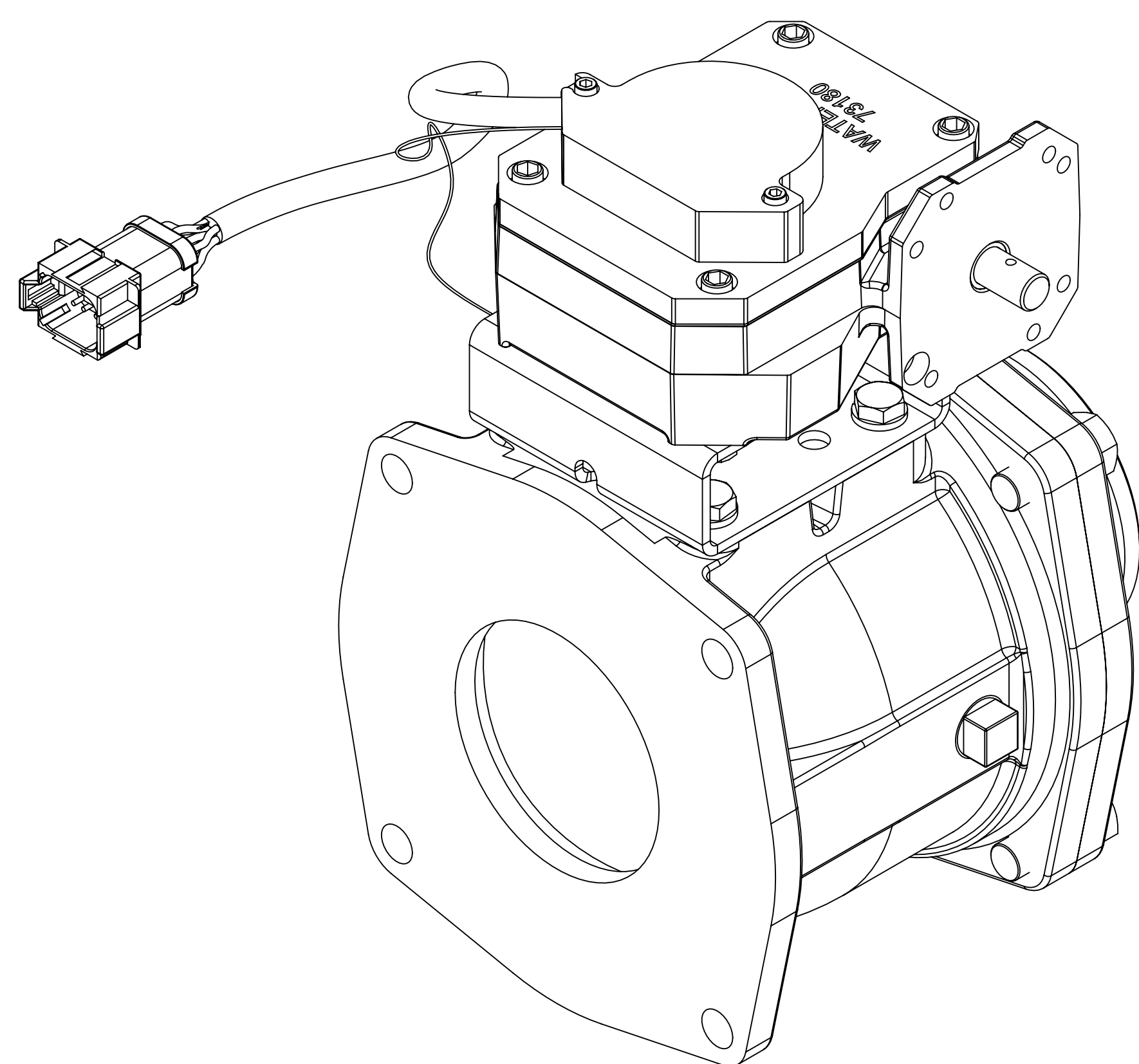
Configuration when optional Waterous control panel is used



**84**  
**Actuator Subassembly**

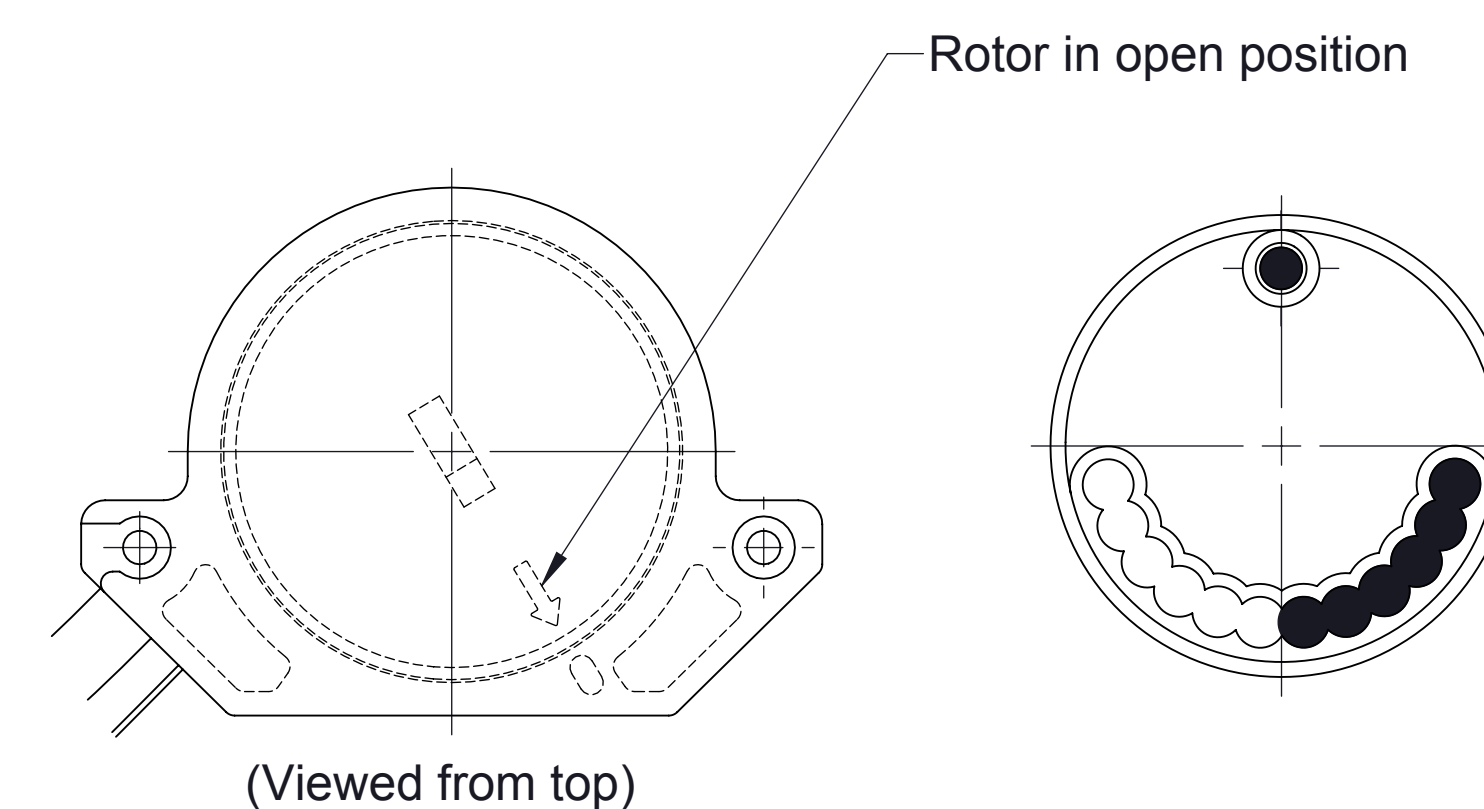
Configuration when optional Waterous control panel is not used

53  
Rotary Encoder  
Replacement Kit



**85**  
**Valve and Actuator Subassembly**

Available Repair Subassemblies



**Rotor Position**

**Rotor Magnet Positions**

Encoder Details