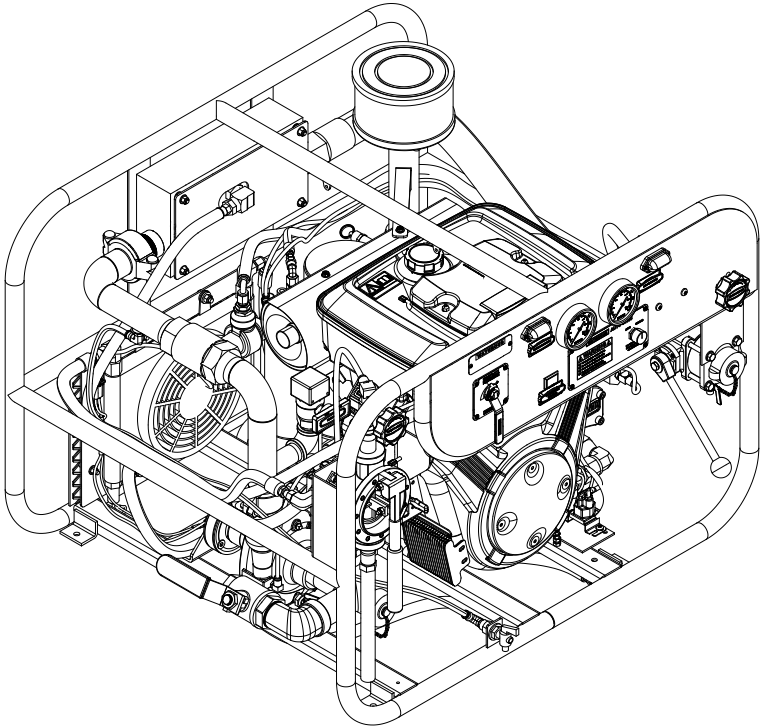


## 70-35-GP Portable CAFS Unit Service Parts List



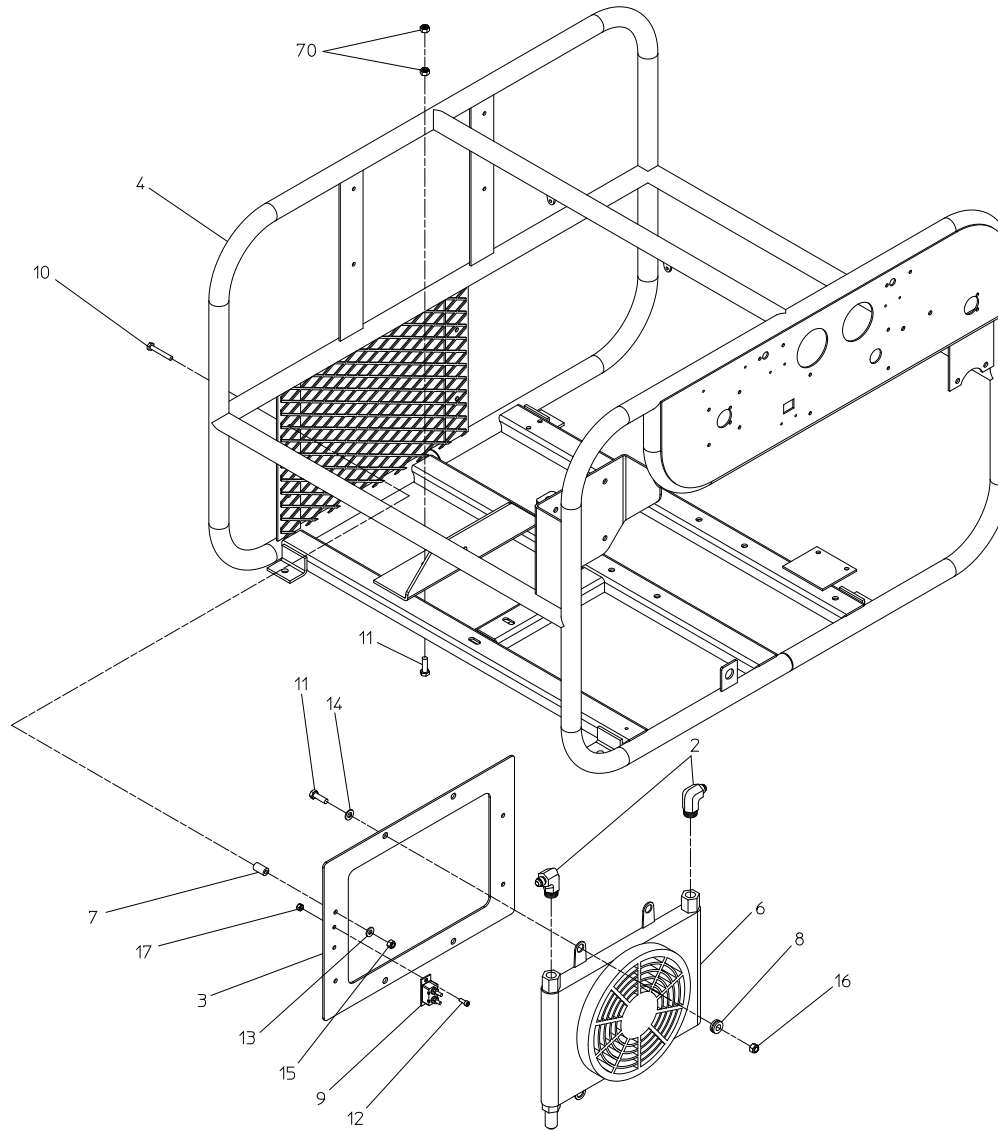
Index:

Component		See Pages	
Frame and Oil Cooler		2, 3	
Engine		4, 5	
Water Pump		6, 7	
Compressor	Air Inlet	8, 9	
	Mounting	10, 11	
	Air Filter	12, 13	
Belt Drive		14, 15	
Oil Filter		16, 17	
Sump and Separator		18, 19	
Balance Valve		20, 21	
Primer		22, 23	
Foam System		24, 25	
Discharge		26, 27	
Panel	Layout	28, 29	
	Gauges, Lights, Plates	30, 31	
	Air Controls	32, 33	
Tubing and Hoses	Air	Air Inlet / PMC	34, 35
		Balance Valve, Separator, Auto-Sync, Air Pressure Gauge	36, 37
		Compressor to Sump	38, 39
	Water and Foam	Pump, Primer, Foam System	40, 41
	Oil	Compressor to Cooler	42, 43
		Drain – Sump and Engine	44, 45
Electrical Schematic		46, 47	

## Frame and Oil Cooler

REF NO.	DESCRIPTION
2	90 Deg. Elbow, 6 MJIC x ½ MNPT
3	Cooler Bracket
4	Frame (Includes 5)
6	Air Oil Cooler
7	Spacer, ½ x 7/8 in.
8	Grommet, 5/16 in.
9	Circuit Breaker, 12V, 40A

REF NO.	DESCRIPTION
10	Hex Head Screw, ¼-20 x 1-3/4 in.
11	Hex Head Screw, 5/16-18 x 1 in.
12	Socket Head Screw, 10-32 x ½ in.
13	Flat Washer, ¼ in.
14	Flat Washer, 5/16 in.
15	Hex Nut, Nylok, ¼-20
16	Hex Nut, Nylok, 5/16-18
17	Hex Nut, Nylok, 10-32
70	Hex Nut, 5/16-18



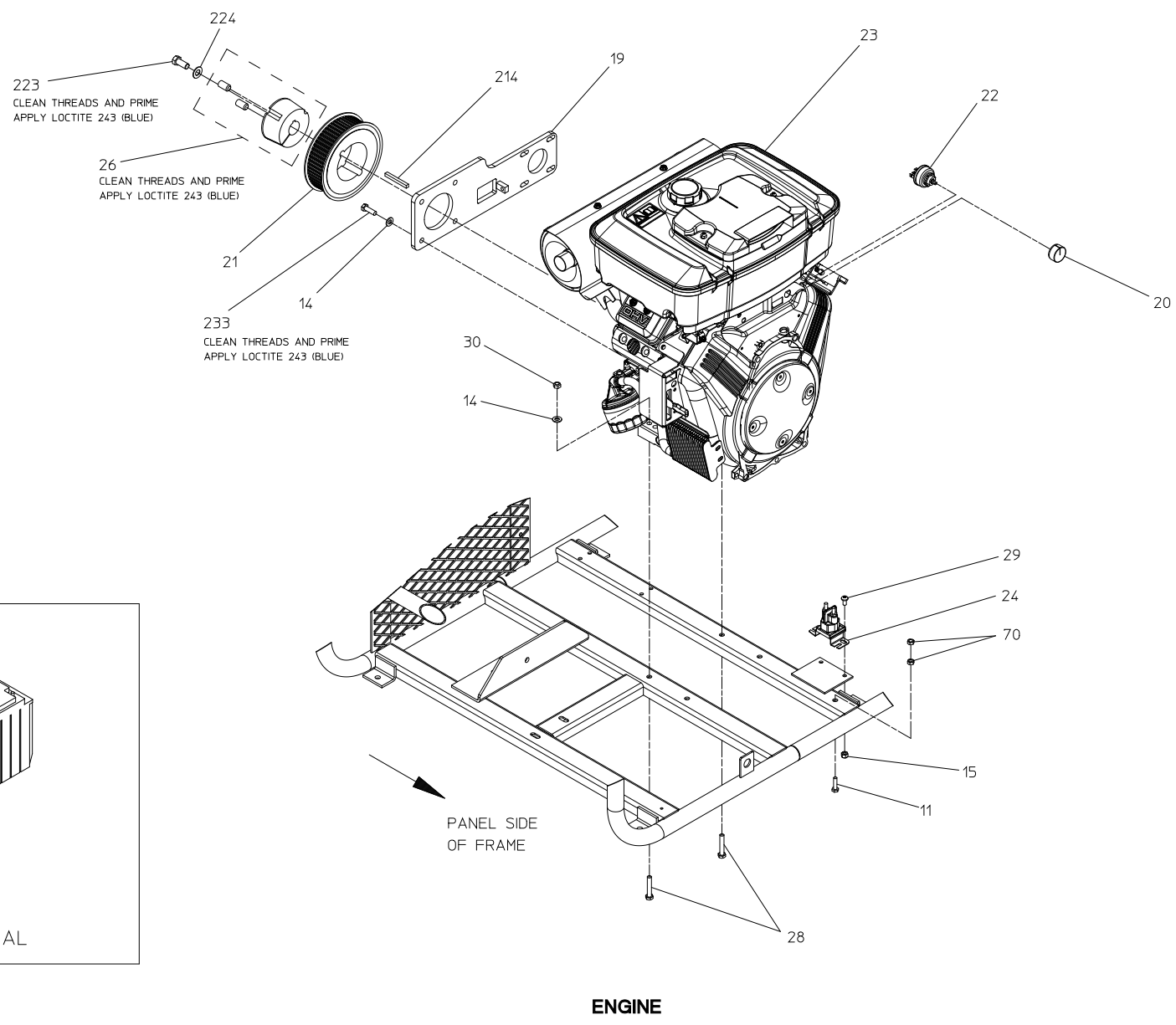
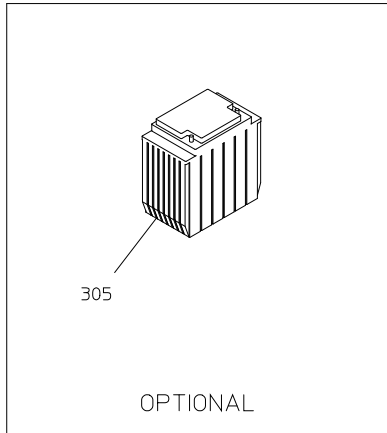
**FRAME AND OIL COOLER**

## Engine

REF NO.	DESCRIPTION
11	Hex Head Screw, 5/16-18 x 1-1/4 in.
14	Flat Washer, 5/16 in.
15	Hex Nut, Nylok, ¼-20
19	Mounting Bracket, Engine/Compressor
20	Ignition Switch Knob ( <i>See Note</i> )
21	Sprocket, 8MX-60S-36T
22	Ignition Switch ( <i>See Note</i> )
23	23 H.P. B&S Vanguard Engine
24	Engine Starter Solenoid
25	Muffler

REF NO.	DESCRIPTION
26	Taper Lock Bushing, 1-1/8 x 2517
28	Hex Head Screw, 5/16-18 x 1-3/4 in.
29	Pan Head Screw, ¼-20 x ½ in.
30	Hex Nut, Flex Lok, 5/16-18
70	Hex Nut, 5/16-18
214	Key-Square, 1/4 x 2-1/2
223	Hex Head Screw, 7/16-20 x 1
224	Washer, 1/2 I.D. x 1-1/4 O.D.
233	Hex Head Screw, 5/16-24 x 1
305	12 Volt Battery (Optional)

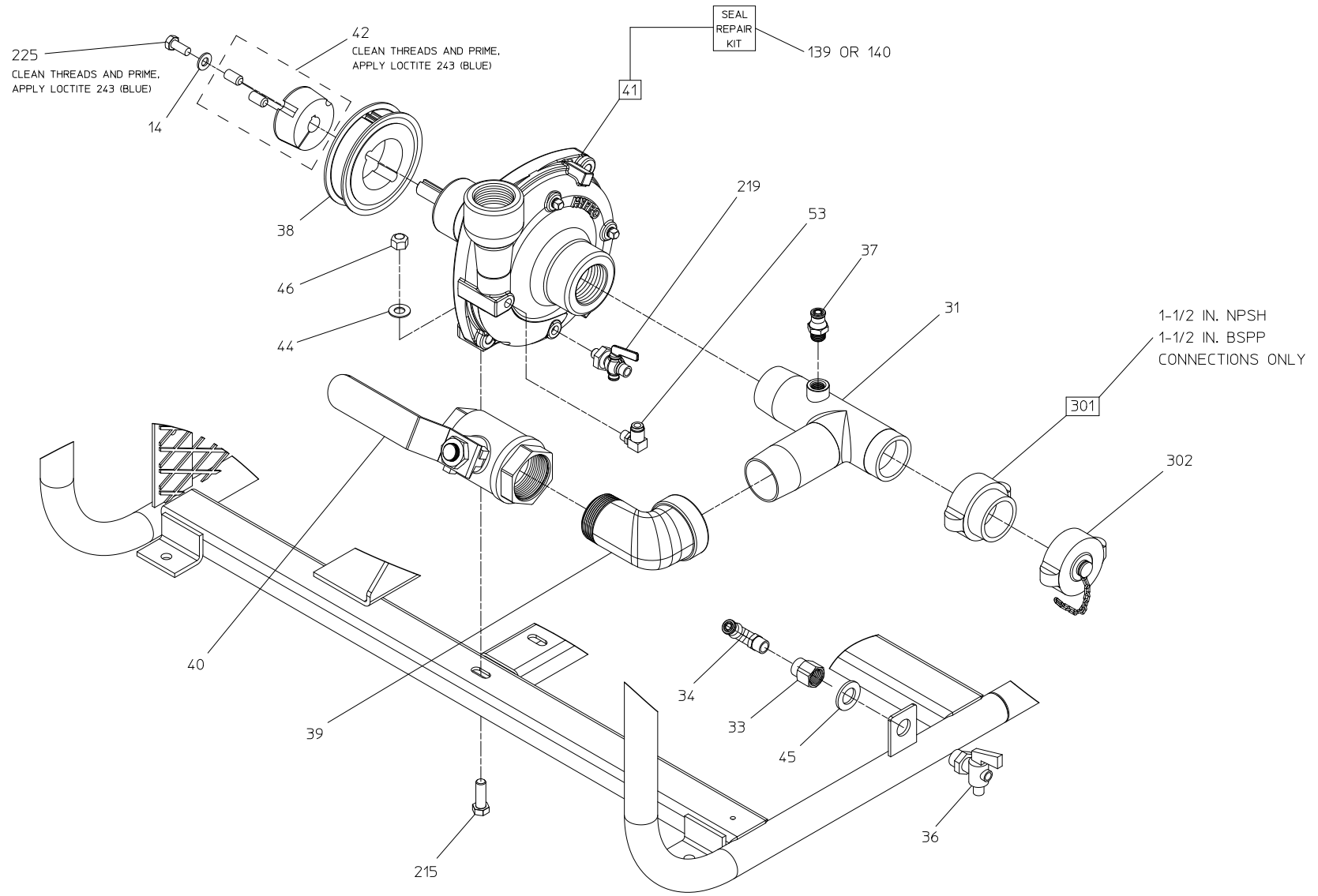
Note: Starting with serial number 171987, the ignition switch is located on the frame panel.



## Water Pump

REF NO.	DESCRIPTION
14	Flat Washer, 5/16 in.
31	Intake Pipe
33	Coupler, 1/4 FNPT x 3/8 FNPT
34	90 Deg. Elbow, 1/2 MNPT x 3/8 AB
36	Drain Cock, 3/8 NPT
37	Straight Adapter, 1/4 MNPT x 3/8 AB
38	Sprocket, 8MX-38S-12-TL
39	90 Deg. Street Elbow, 1-1/2 in. NPT
40	Ball Valve, 1-1/2 in.
41	Hypro Pump, 9203C
42	Taperlock Bushing, 5/8 x 1610

REF NO.	DESCRIPTION
44	Flat Washer, 3/8 in.
45	Flat Washer, 16 in.
46	Hex Nut, Flex Top, 3/8-16
53	90 Deg. Elbow, 1/8 MNPT x 1/4 AB
139	Mech Seal Repair Kit, Ceramic Seal
140	Mech Seal Repair Kit, Silicon Carbide Seal
215	Hex Head Screw, 3/8-16 x 1-1/4 in.
219	Drain Cock, 1/8 NPT
225	Hex Head Screw, 5/16-18 x 3/4
301	Thread Adapter
302	Cap with Chain



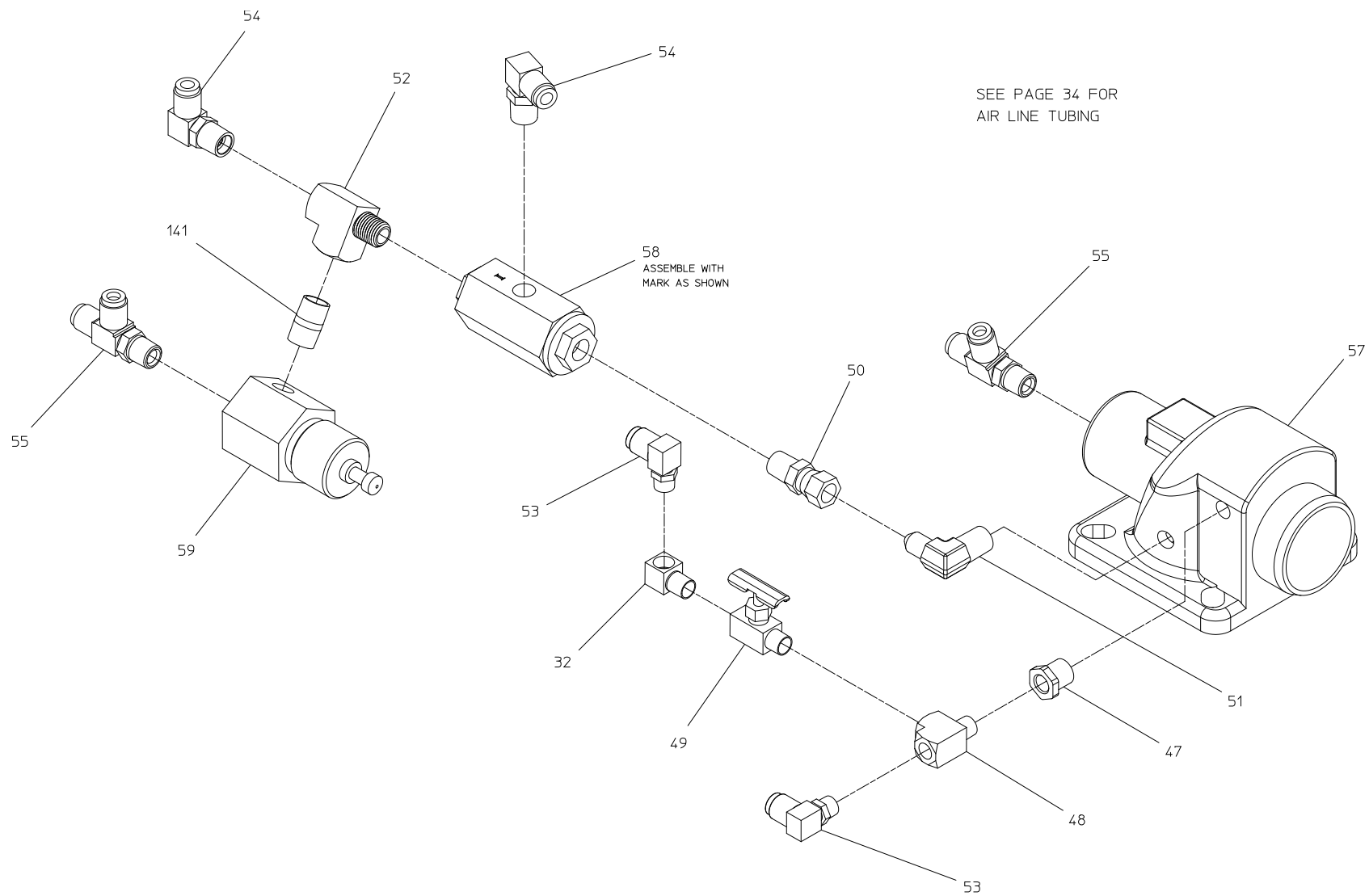
**WATER PUMP**

## Compressor – Air Inlet

REF NO.	DESCRIPTION
32	90 Deg. Street Elbow, 1/8 NPT
47	Reducing Bushing, ¼ MNPT x 1/8 FNPT
48	Tee, 1/8 MNPT x 1/8 FNPT x 1/8 FNPT
49	Valve-Needle, 1/8 MNPT x 1/8 FNPT
50	Connector-Swivel, 4 MJIC x ¼ MNPT
51	90 Deg. Elbow, ¼ MNPT x 4 MJIC
52	Tee, ¼ MNPT x ¼ FNPT x ¼ MNPT

REF NO.	DESCRIPTION
53	90 Deg. Elbow, 1/8 MNPT x ¼ AB
54	90 Deg. Elbow, ¼ MNPT x ¼ AB
55	Tee, ¼ MNPT x ¼ AB x ¼ AB
57	90 Deg. Air Con Inlet, 1-1/4 in.
58	Blow Down Valve, ¼ FNPT
59	Pressure Regulator
141	Pipe Nipple, ¼ MNPT x 7/8 in.



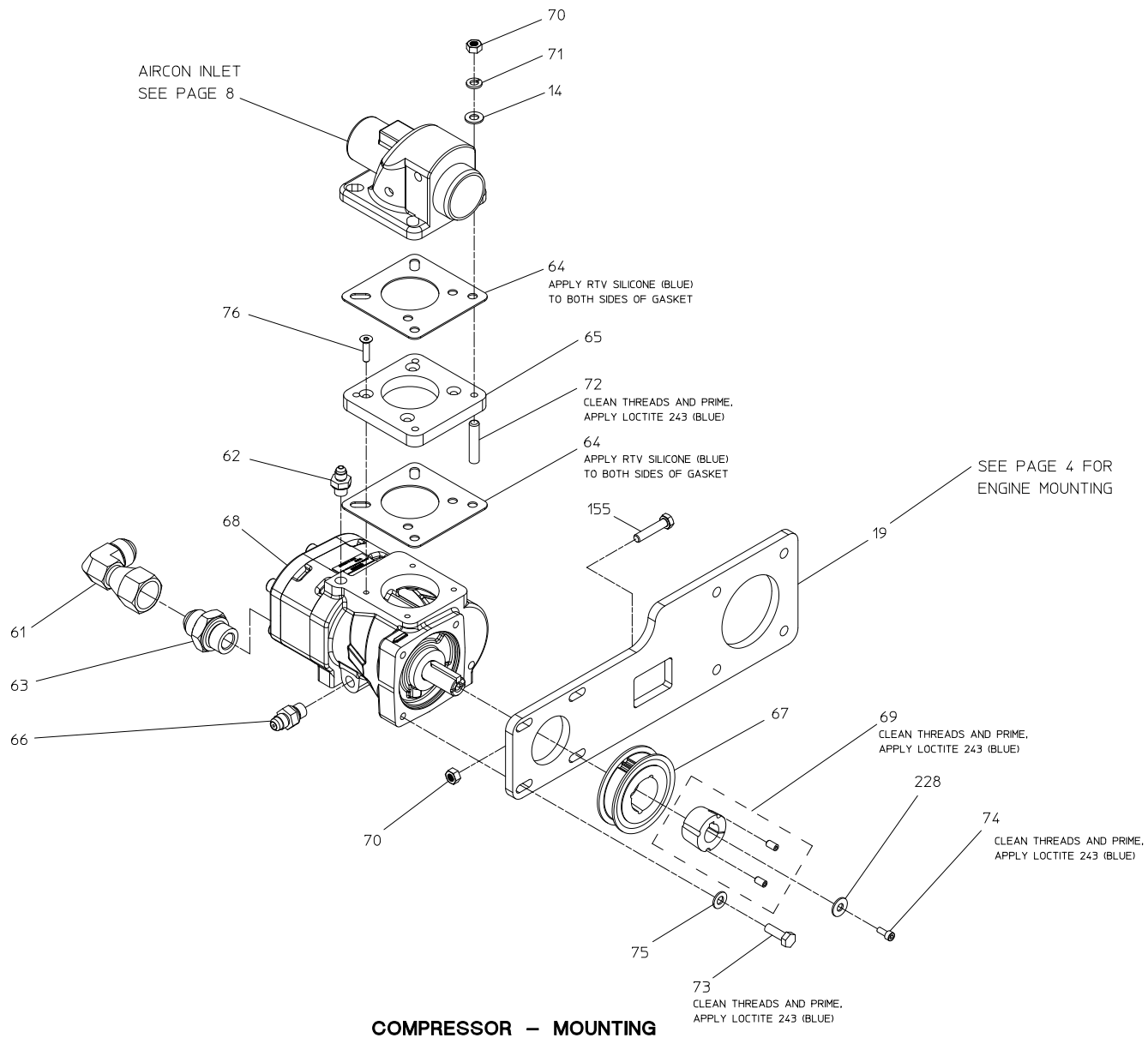


**COMPRESSOR-AIR INLET**

## Compressor - Mounting

REF NO.	DESCRIPTION
14	Flat Washer, 5/16 in.
19	Mounting Bracket, Engine/Compressor
61	90 Deg. Swivel Elbow, 12 FJIC x 12 MJIC
62	Straight Adapter, 4 MJIC x 12 mm
63	Straight Adapter, 12 MJIC x ¾ MNPT
64	Air Inlet Gasket
65	Air Con Adapter
66	Oil Inject Fitting, ¼ BSPP x 6 MJIC
67	Sprocket, 8 MX-28S-12-TL (1108)
68	Air Compressor, LC44
69	Taper Lock Bushing, 19 mm x 1108

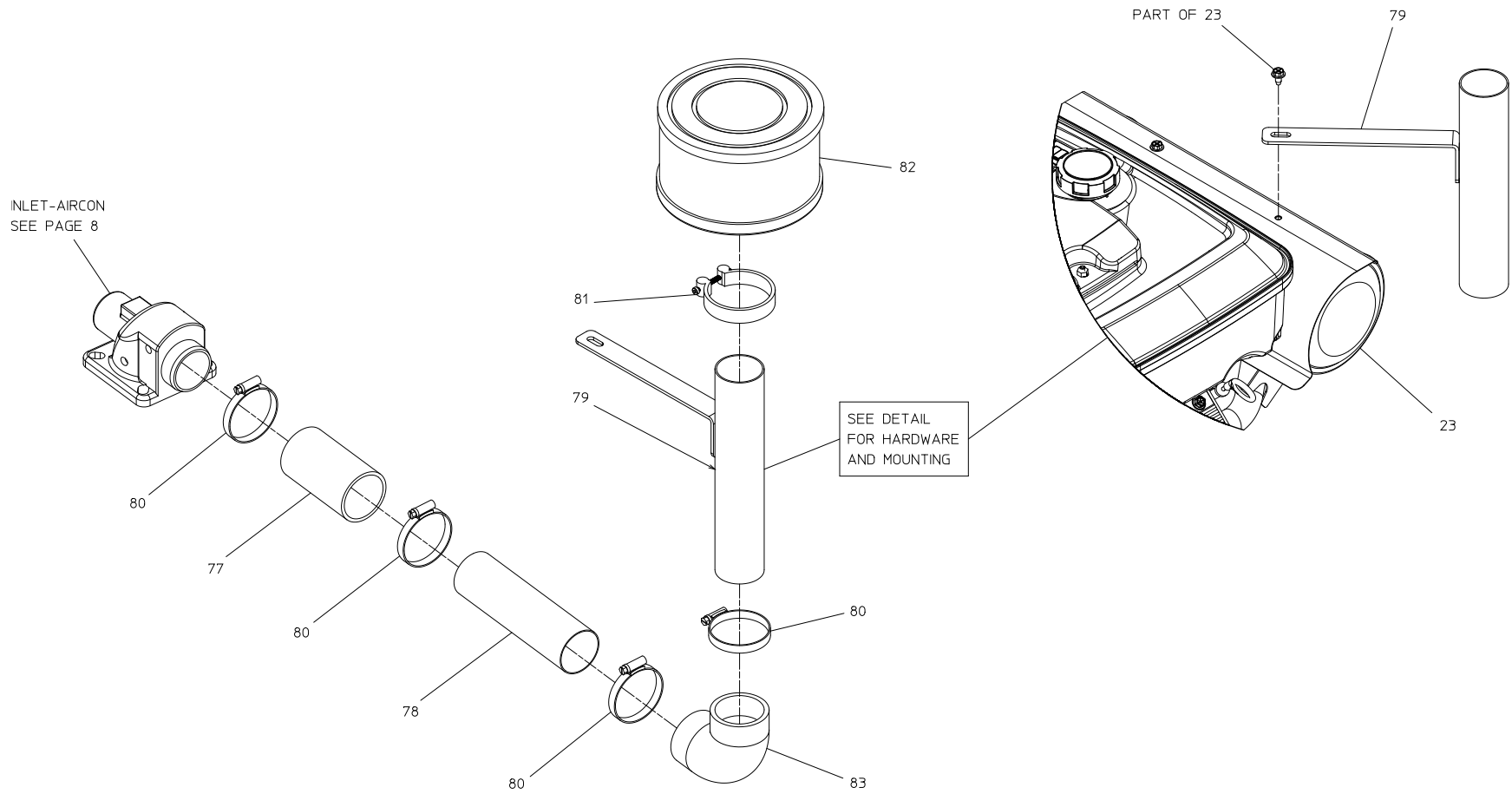
REF NO.	DESCRIPTION
70	Hex Nut, 5/16-18
71	Lock Washer, 5/16 in.
72	Socket Head Set Screw, 5/16-18 x 1-1/4 in. or Stud, 5/16-18 x 1-5/8 in.
73	Hex Head Screw, M8-1.25 x 25 mm
74	Socket Head Screw, M5-0.8 x 12 mm
75	Flat Washer, 8 mm
76	Socket Head Screw, M6-1.0 x 25 mm
155	Screw-Hex Head, 5/16-18 x 1-1/2
228	Flat Washer, 1/4



## Compressor – Air Filter

REF NO.	DESCRIPTION
23	23 H.P. B&S Vanguard Engine
77	Silicon Hose, Blue, 2-1/2 in. x 3-1/2 in.
78	Horizontal Air Inlet Tube
79	Vertical Air Inlet Tube

REF NO.	DESCRIPTION
80	Hose Clamp, 1-9/16 to 2-1/2 in.
81	Clamp-T Bolt, 2-1/2 in.
82	Air Filter, CO65001
83	90 Deg. Elbow, Rubber, 2 in.

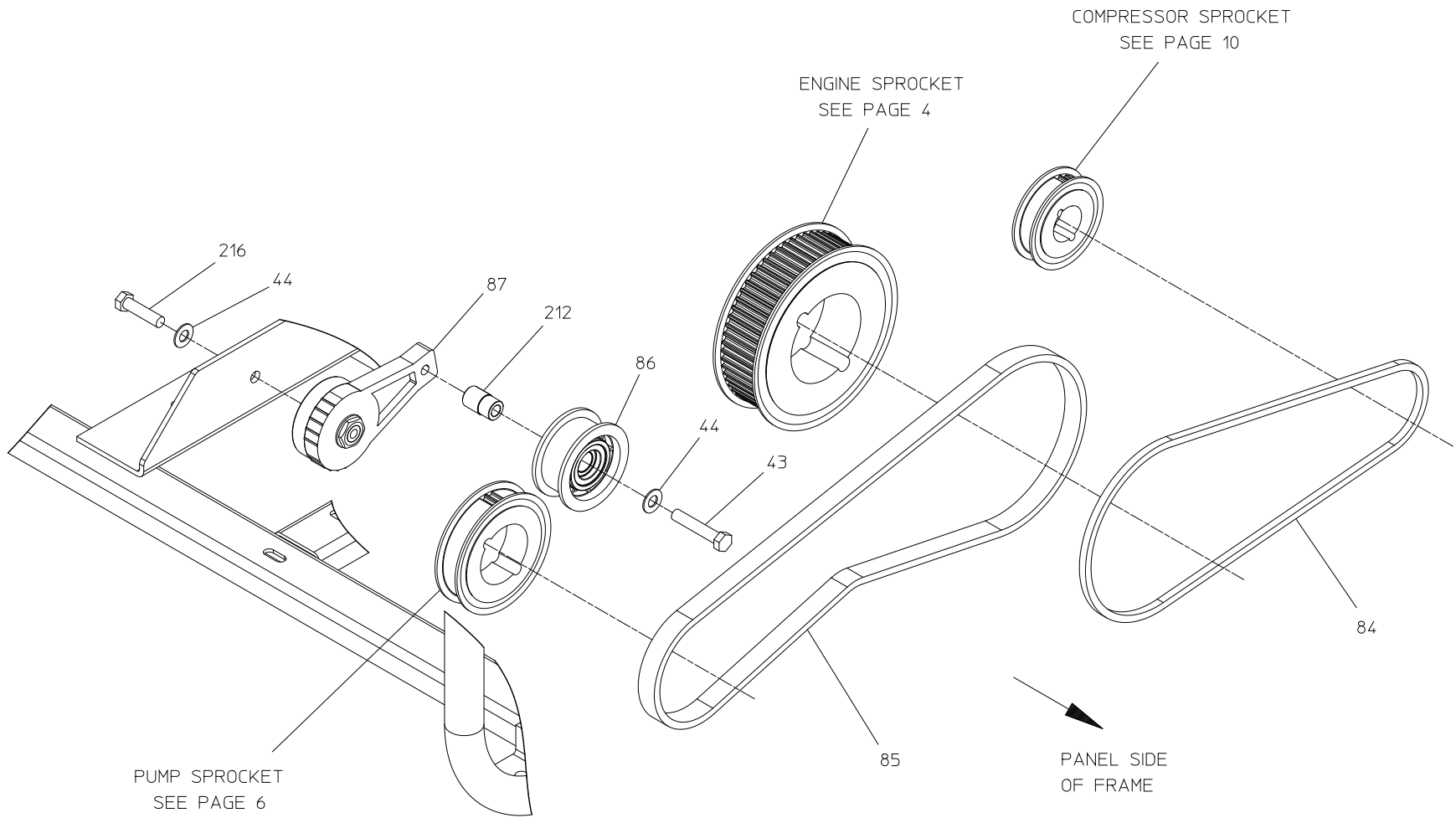


**COMPRESSOR - AIR FILTER**

## Belt Drive

REF NO.	DESCRIPTION
43	Hex Head Screw, 3/8-16 x 2 in.
44	Flat Washer, 3/8 in.
84	Poly Chain Belt, 8MGT-896-12
85	Poly Chain Belt, 8MGT-1120-12
86	Idler Sprocket

REF NO.	DESCRIPTION
87	Rotary Tensioner
212	Bushing
216	Hex Head Screw, 3/8-16 x 1-1/2 in.



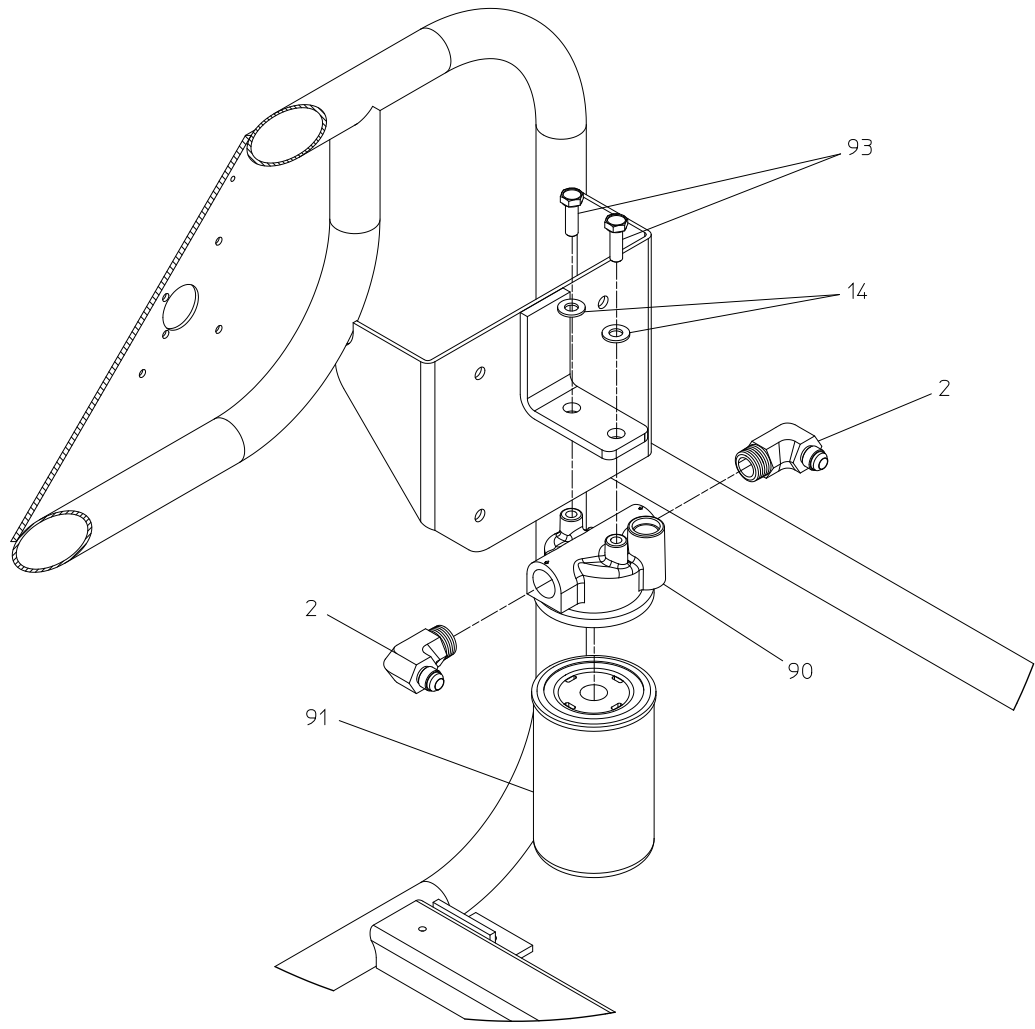
**BELT DRIVE**

## Oil Filter

REF NO.	DESCRIPTION
2	90 Deg. Elbow, 6 MJIC x ½ MNPT
14	Flat Washer, 5/16 in.
90	Filter Head

REF NO.	DESCRIPTION
91	Oil Filter, WD724-6
93	Hex Head Screw, M8-1.25 x 20 mm





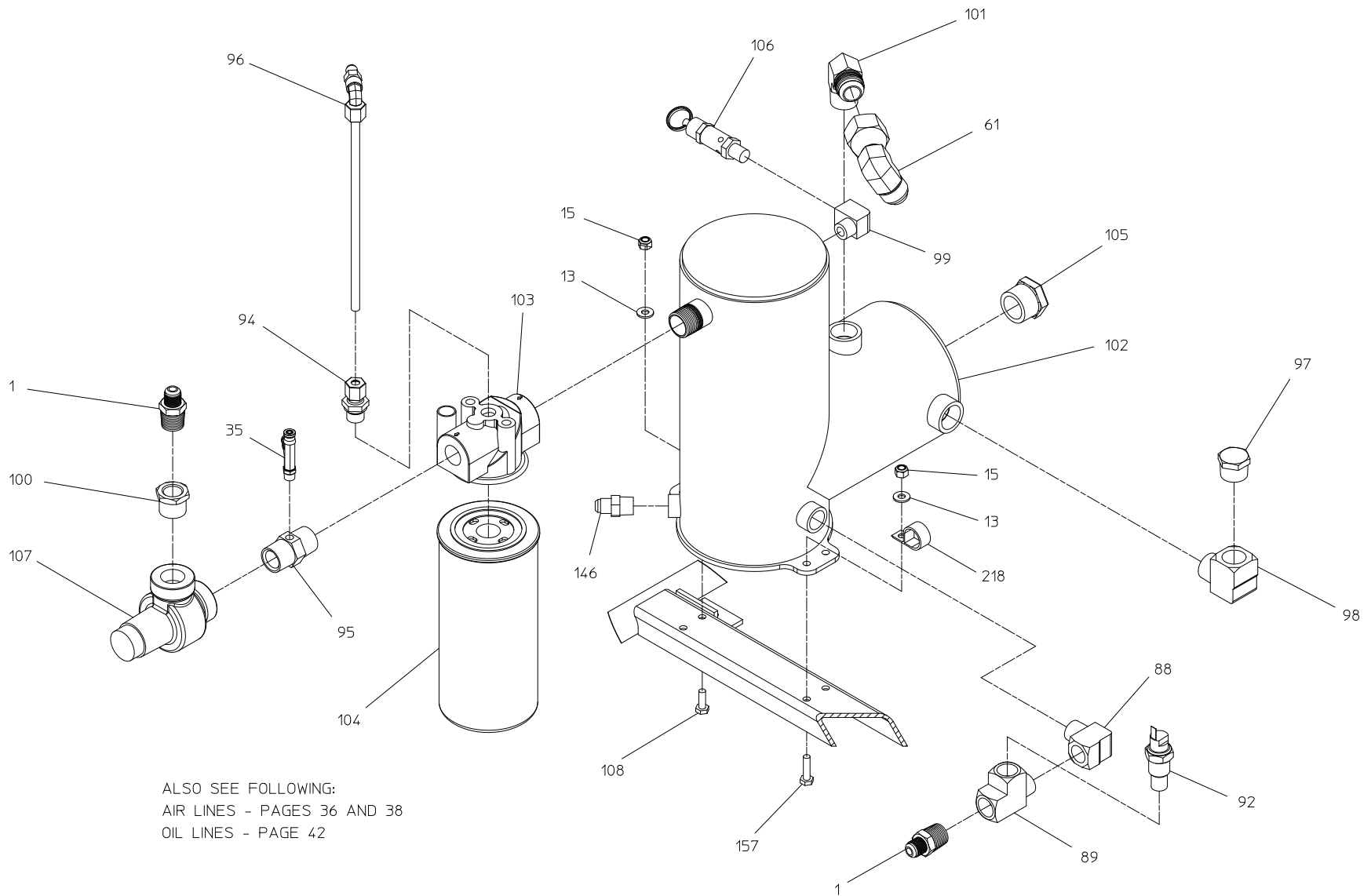
SEE PAGE 42 FOR  
OIL LINES

**OIL FILTER**

## Sump and Separator

REF NO.	DESCRIPTION
1	Straight Adapter, 6 MJIC x ½ MNPT
13	Flat Washer, ¼ in.
15	Hex Nut, Nylok, ¼-20
35	Tee, 1/8 MNPT x ¼ AB x ¼ AB
61	90 Deg. Swivel Elbow, 12 FJIC x 12 MJIC
88	90 Deg. Street Elbow, ½ NPT
89	Tee, ½ MNPT, x ½ FNPT x ½ FNPT
92	Temperature Sender
94	Scavenger Fitting
95	Hex Nipple, ¾ MNPT
96	Scavenger Tube Ass'y
97	Hex Plug, ¾ MNPT
98	90 Deg. Street Elbow, 3/4 NPT

REF NO.	DESCRIPTION
99	90 Deg. Street Elbow, 3/8 NPT
100	Reducing Bushing, ¾ MNPT x ½ FNPT
101	90 Deg. Elbow, 12 MJIC x ¾ MNPT
102	Sump
103	Filter Head
104	Separator Filter
105	Sight Glass 1 in. MNPT
106	Pop Off Valve, 3/8 FNPT
107	Min. Pressure Control Valve, ¾ in.
108	Hex Head Screw, ¼-20 x ¾ in.
146	Adapter-Straight, 6 MJIC x 3/8 MNPT
157	Screw-Hex Head, 1/4-20 x 1
218	P-Clamp



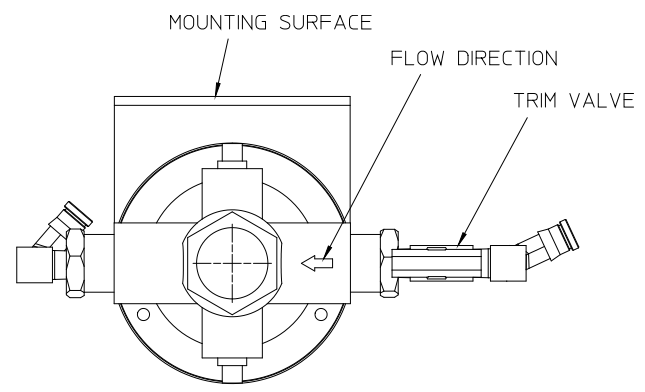
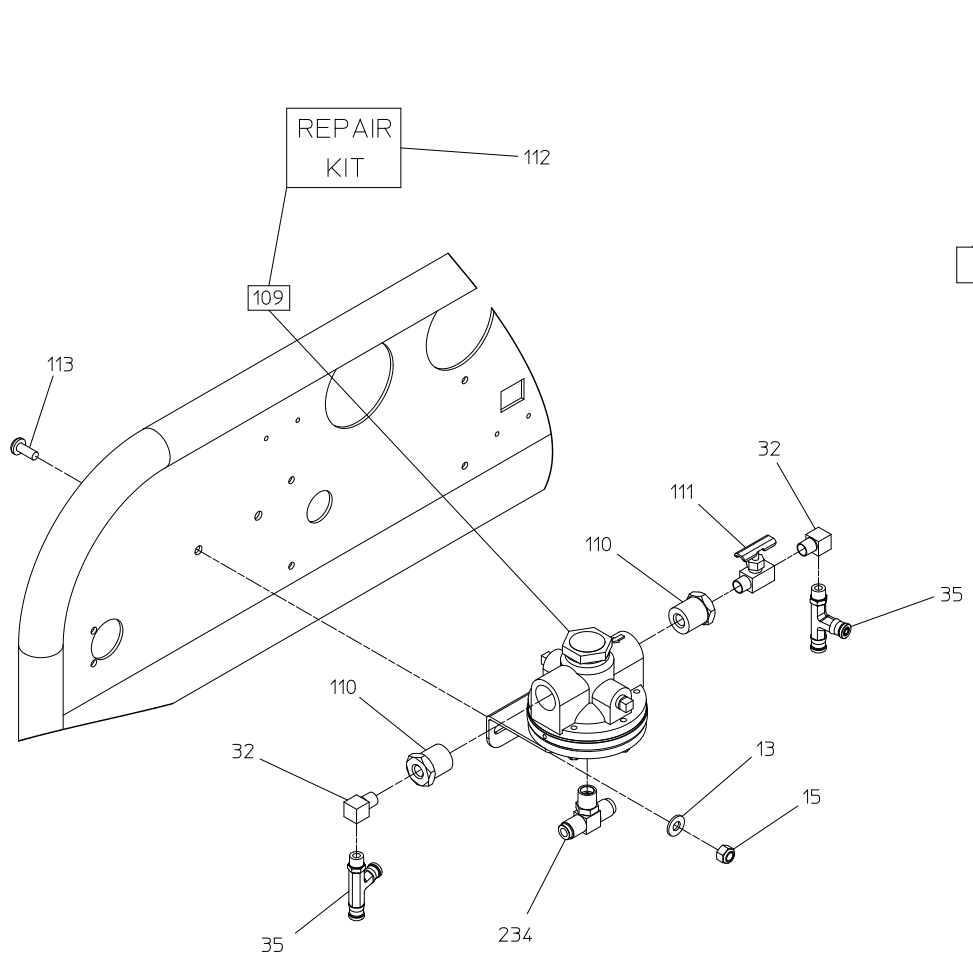
ALSO SEE FOLLOWING:  
 AIR LINES - PAGES 36 AND 38  
 OIL LINES - PAGE 42

**SUMP AND SEPARATOR**

## Balance Valve

REF NO.	DESCRIPTION
13	Flat Washer, ¼ in.
15	Hex Nut, Nylok, ¼-20
32	90 Deg. Street Elbow, 1/8 NPT
35	Tee, 1/8 MNPT x ¼ x ¼ AB
54	90 Deg. Elbow, 1/4 MNPT x 1/4 AB
109	Balance Valve

REF NO.	DESCRIPTION
110	Reducing Bushing, ½ MNPT x 1/8 FNPT
111	Needle Valve, 1/8 MNPT x 1/8 FNPT
112	Balance Valve Repair Kit
113	Pan Head Screw, ¼-20 x 3/8 in.
237	Run Tee, 1/4 MNPT x 1/4 FNPT x 1/4 FNPT
238	Straight Adapter, 1/4 MNPT x 1/4 AB



BALANCE VALVE  
SCALE 1:1

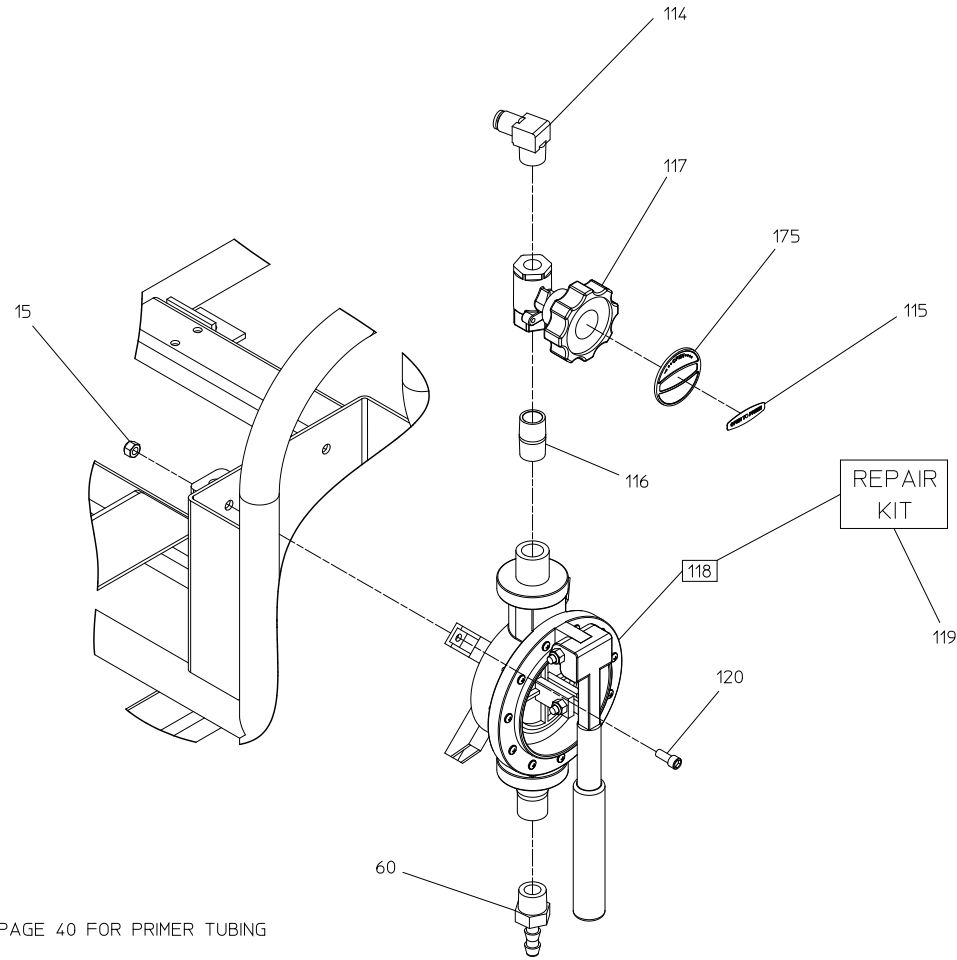
ALSO SEE THE FOLLOWING:  
AIR LINES - PAGE 36  
WATER LINES - PAGE 40

**BALANCE VALVE**

## Primer

REF NO.	DESCRIPTION
15	Hex Nut, Nylok, ¼-20
60	Hose Barb, ½ MNPT x ½ in.
114	90 Deg. Elbow, ½ MNPT x 3/8 AB
115	Open to Prime Label
116	Pipe Nipple, ½ MNPT

REF NO.	DESCRIPTION
117	Round Handle Ball Valve, ½ FNPT
118	Hand Primer
119	Primer Repair Kit
120	Socket Head Screw, ¼-20 x 5/8 in.
175	Round Bezel, 2 in.



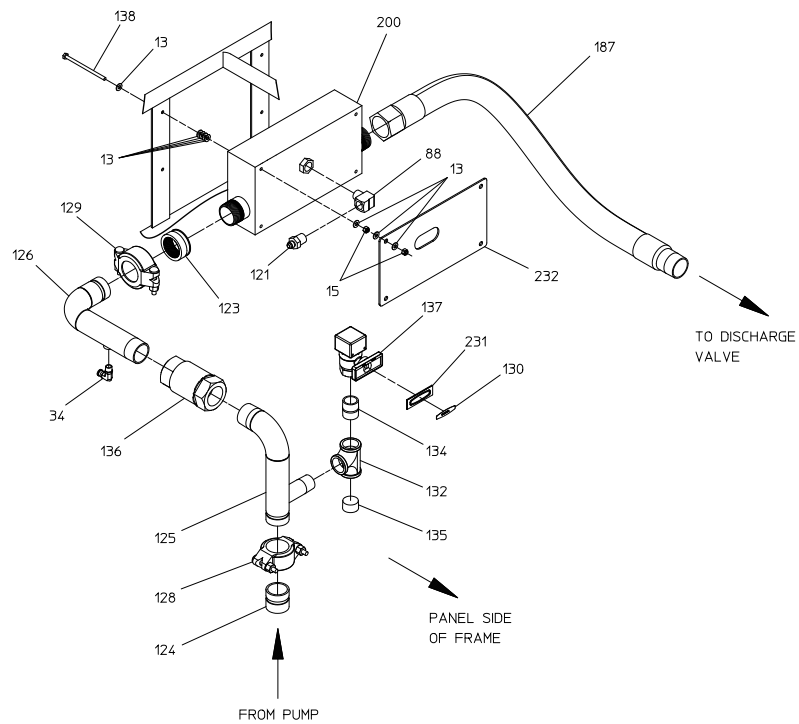
**PRIMER**

## Foam System

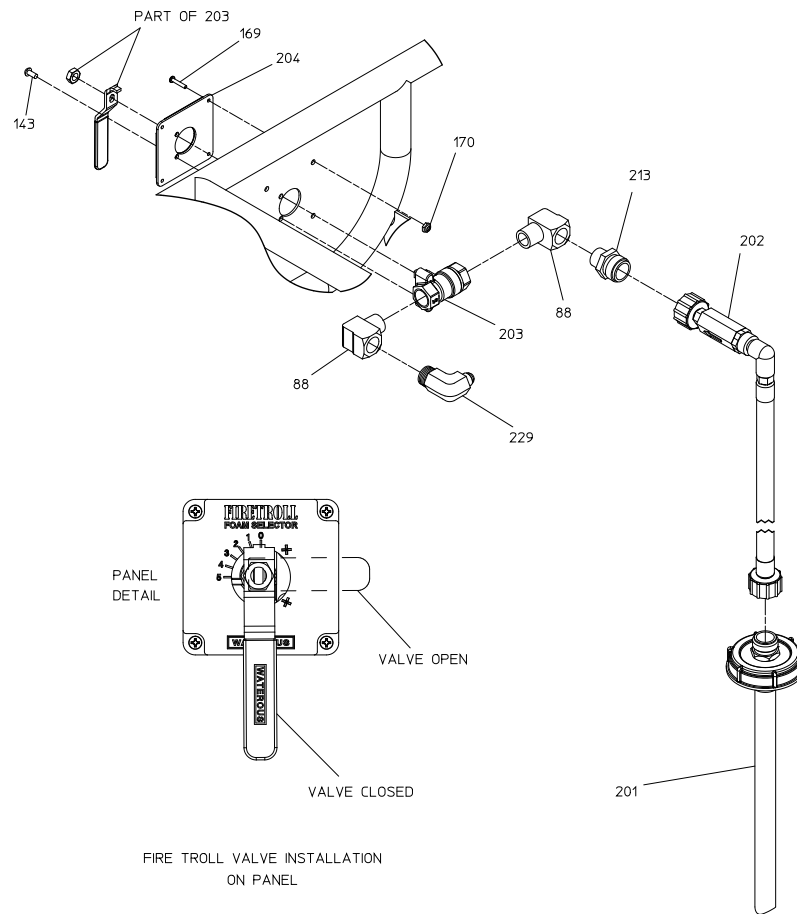
REF NO.	DESCRIPTION
13	Flat Washer, ¼ in.
15	Hex Nut, Nylok, 1/4-20
34	90 Deg. Elbow, 1/4 MNPT x 3/8 AB
88	90 Deg. Street Elbow, ½ NPT
121	Straight Adapter, 6 MJIC x ½ MNPT
123	Straight Adapter, 1-1/2 FNPT x 2 in. Vic
124	Straight Adapter, 1-1/4 MNPT x 1-1/2 Vic
125	Discharge Elbow
126	Intake Elbow
128	Victaulic Clamp, 1-1/2 in.
129	Victaulic Clamp, 2 x 1-1/2 in.
130	Tank Fill Label, 1 in. x 3 in.
132	Pipe Tee, 1 in. MNPT
134	Pipe Nipple, 1 in. MNPT
135	Pipe Plug, 1 in. MNPT
136	Check Valve, 1-1/2 FNPT

REF NO.	DESCRIPTION
137	Rectangular Handle Ball Valve, 1 in. FNPT
138	Hex Head Screw, ¼-20 x 4 in.
143	Pan Head Screw, No. 10-24 x 3/8 in.
169	Pan Head Screw, No. 6-32 x 3/4 in.
170	Hex Nut, Nylok, No. 6-32
187	Hydraulic Hose, 1-1/2 MNPT x 1-1/2 Swivel FNPT x 31 in.
200	Fire Troll Eductor Body
201	Foam Pail Capper
202	Foam Supply Hose
203	Metering Valve
204	Fire Troll Panel Plate
213	Straight Adapter, ½ MNPT x ¾ Garden Hose (M)
229	90 Deg. Adapter, 6 MJIC x 1/2 MNPT
231	Bezel, 1 x 3 in.
232	Heat Shield





SEE PAGE 40 FOR HOSES



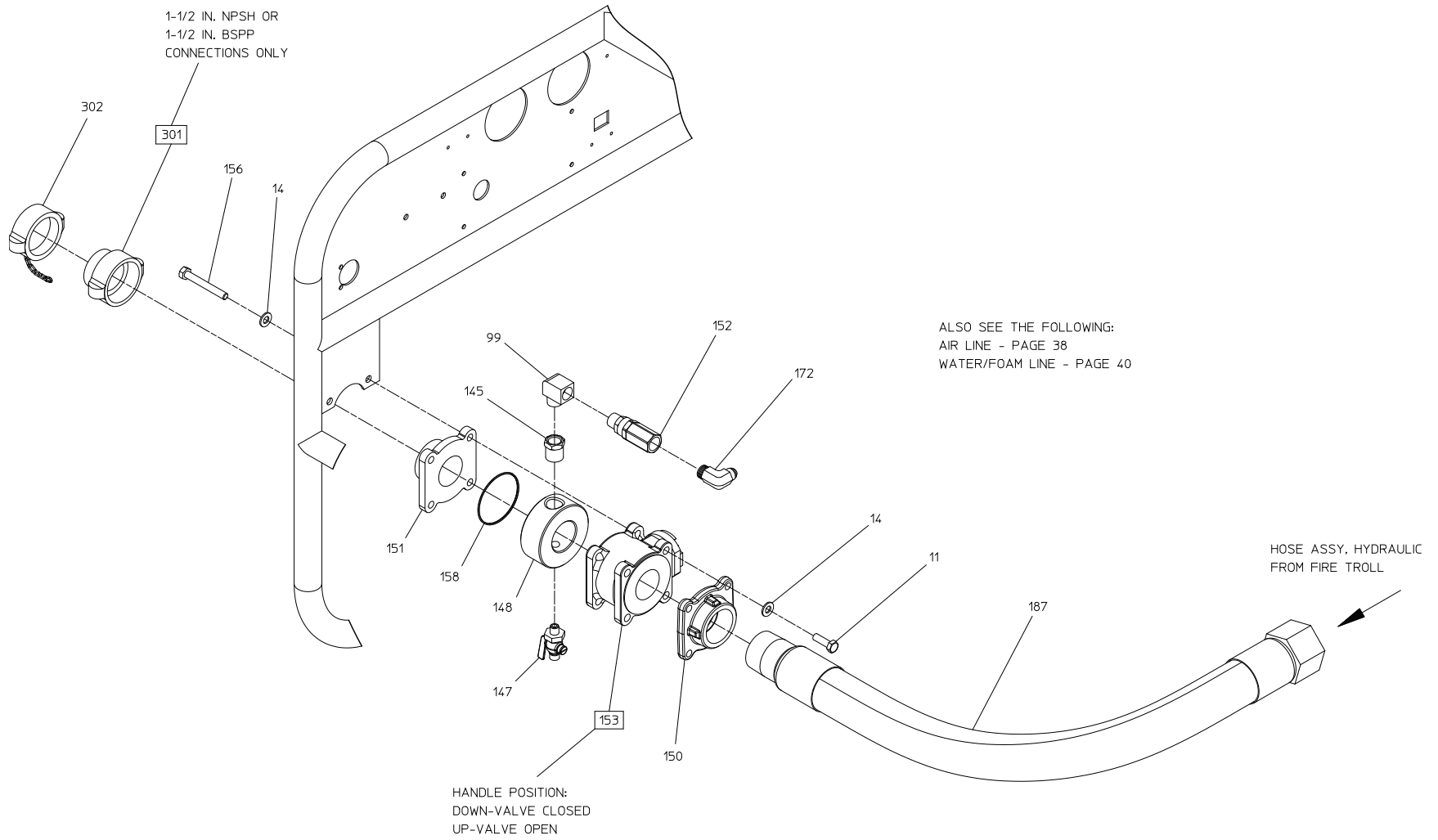
FIRE TROLL VALVE INSTALLATION ON PANEL

**FOAM SYSTEM**

## Discharge

REF NO.	DESCRIPTION
11	Hex Head Screw, 5/16-18 x 1 in.
14	Flat Washer, 5/16 in.
99	90 Deg. Street Elbow, 3/8 NPT
145	Reducing Bushing, ½ MNPT x 3/8 FNPT
147	Drain Cock, 1/4 NPT
148	Air Inject Spacer, 1-1/2 in.
150	Valve Flange, 1-1/2 FNPT
151	Valve Flange, 1-1/2 MNH

REF NO.	DESCRIPTION
152	Check Valve, 3/8 in.
153	Ball Valve, 1-1/2 in.
156	Hex Head Screw, 5/16-18 x 2-1/4 in.
158	O-ring, 2-3/8 x 2-5/8 in.
172	Elbow – 90 Deg., 6 MJIC x 3/8 MNPT
187	Hydraulic Hose, 1-1/2 MNPT x 1-1/2 Swivel FNPT x 31 in.
301	Thread Adapter
302	Cap with Chain



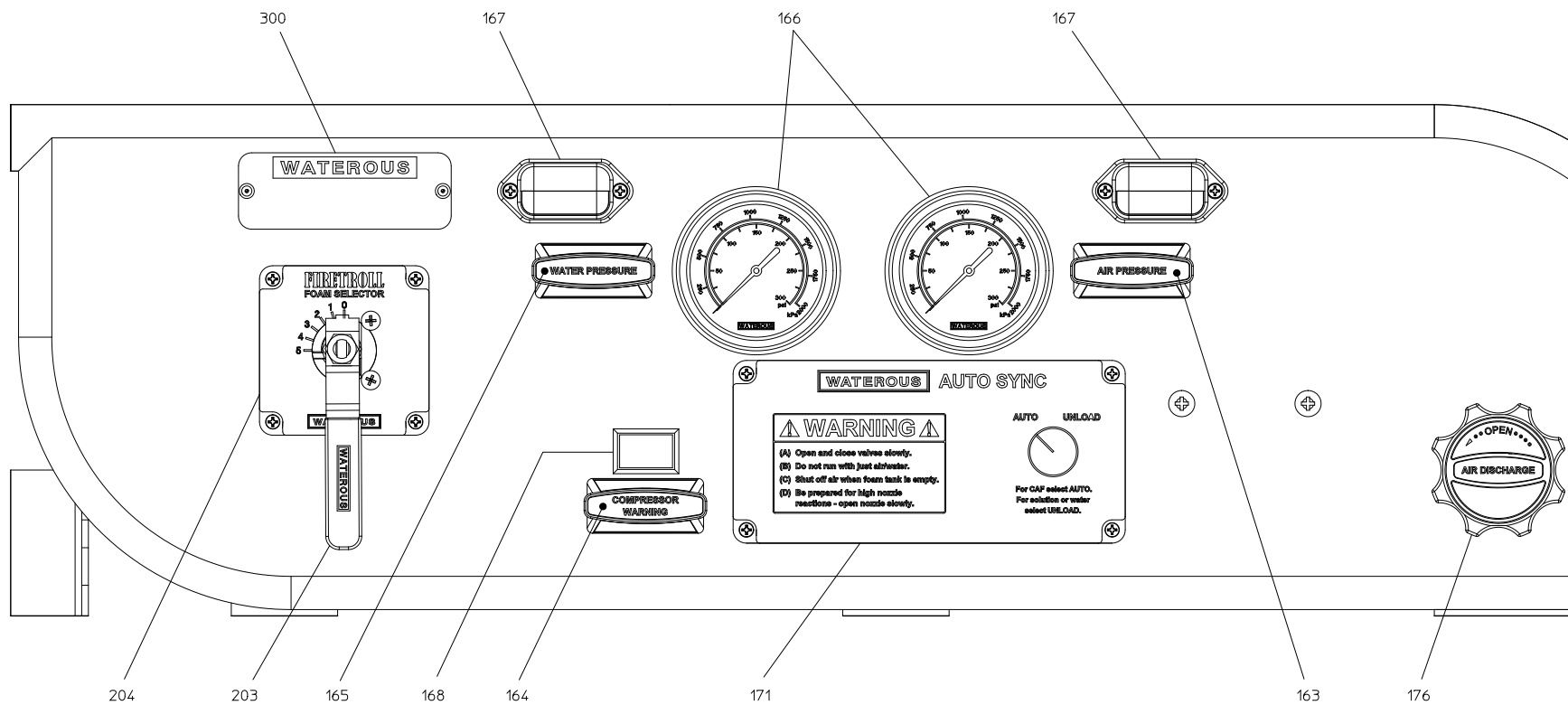
ALSO SEE THE FOLLOWING:  
AIR LINE - PAGE 38  
WATER/FOAM LINE - PAGE 40

**DISCHARGE**

## Panel - Layout

REF NO.	DESCRIPTION
163	Air Pressure Label
164	Compressor Warning Label
165	Water Pressure Label
166	Dual Scale Pressure Gauge
167	Utility Lamp
168	Compressor Temperature Warning Light
171	Auto Sync Panel Plate

REF NO.	DESCRIPTION
176	Round Handle Ball Valve, 3/8 FNPT
203	Metering Valve Assembly
204	Fire Troll Panel Plate
204	Slotted Ball Valve, 1/2 FNPT
209	Fire Troll Panel Plate
300	Serial Plate

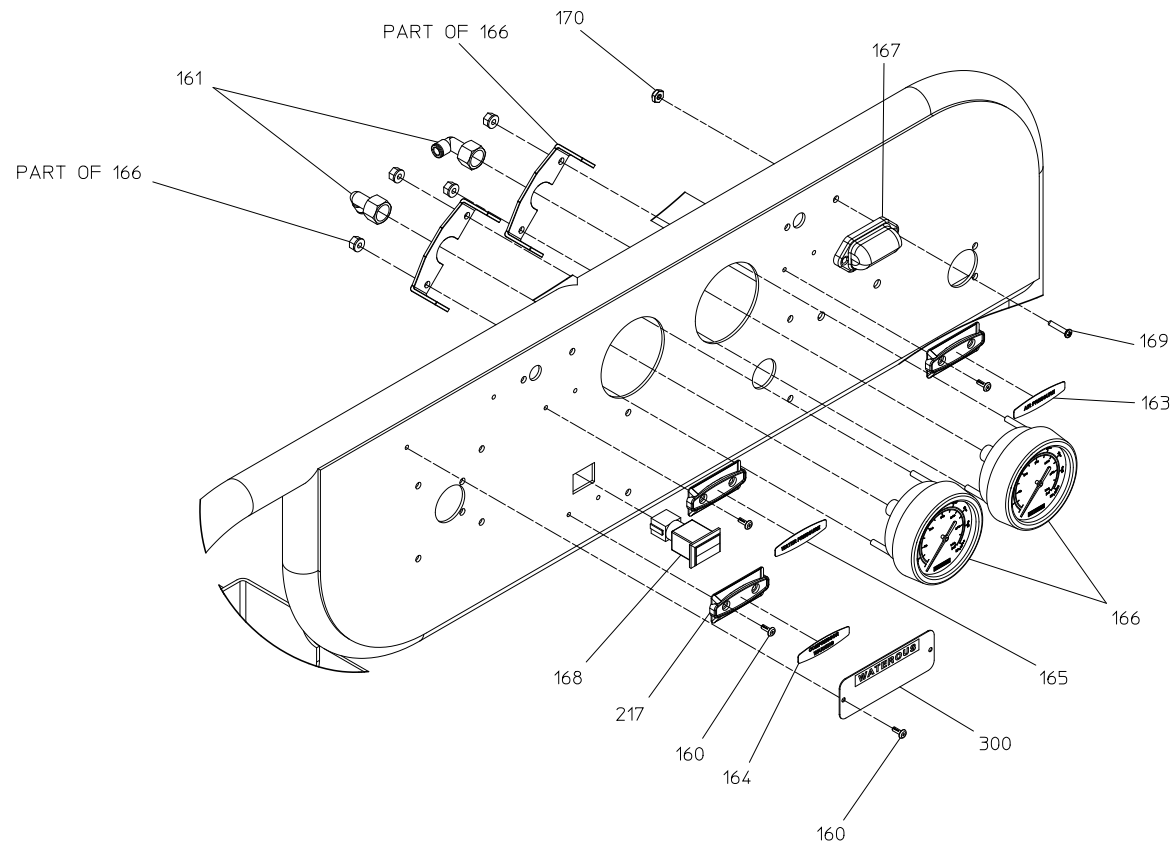


PANEL - LAYOUT

### Panel – Gauges, Lights, Plates

REF NO.	DESCRIPTION
160	Rivet, 1/8 in.
161	90 Deg. Elbow, ¼ FNPT x ¼ AB
163	Air Pressure Label
164	Compressor Warning Label
165	Water Pressure Label
166	Dual Scale Pressure Gauge

REF NO.	DESCRIPTION
167	Utility Lamp
168	Compressor Temperature Warning Light
169	Pan Head Screw, No. 6-32 x ¾ in.
170	Hex Nut, Nylok, No. 6-32
217	Bezel, 1 x 2.25 in.
300	Serial Plate



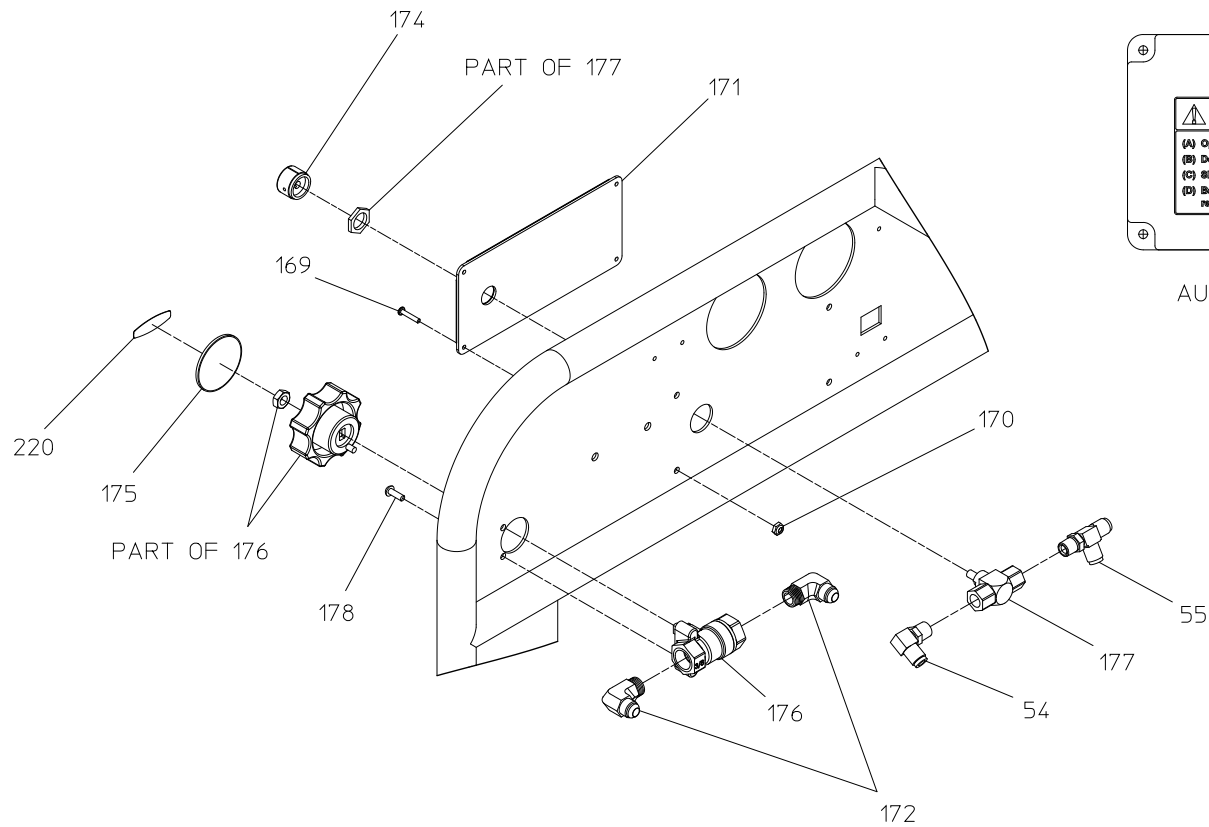
**PANEL - GAUGES, LIGHTS, PLATES**

## Panel – Air Controls

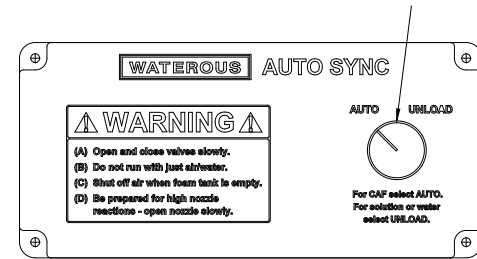
REF NO.	DESCRIPTION
54	90 Deg. Elbow, ¼ MNPT x ¼ AB
55	Tee, ¼ MNPT x ¼ AB x ¼ AB
169	Pan Head Screw, No. 6-32 x ¾ in.
170	Hex Nut, Nylok, No. 6-32
171	Auto Sync Panel Plate
172	90 Deg. Elbow, 6 MJIC x 3/8 MNPT

REF NO.	DESCRIPTION
174	Auto Sync Knob
175	Air Discharge Label
176	Round Handle Ball Valve, 3/8 FNPT
177	2-Way Valve, ¼ FNPT
178	Pan Head Screw, No. 10-32 x ½ in.
220	Air Discharge Label





ASSEMBLE WITH VALVE (177) IN THE CLOSED POSITION.  
 SET KNOB (174) IN THE AUTO POSITION OR AT 135 DEGREES.



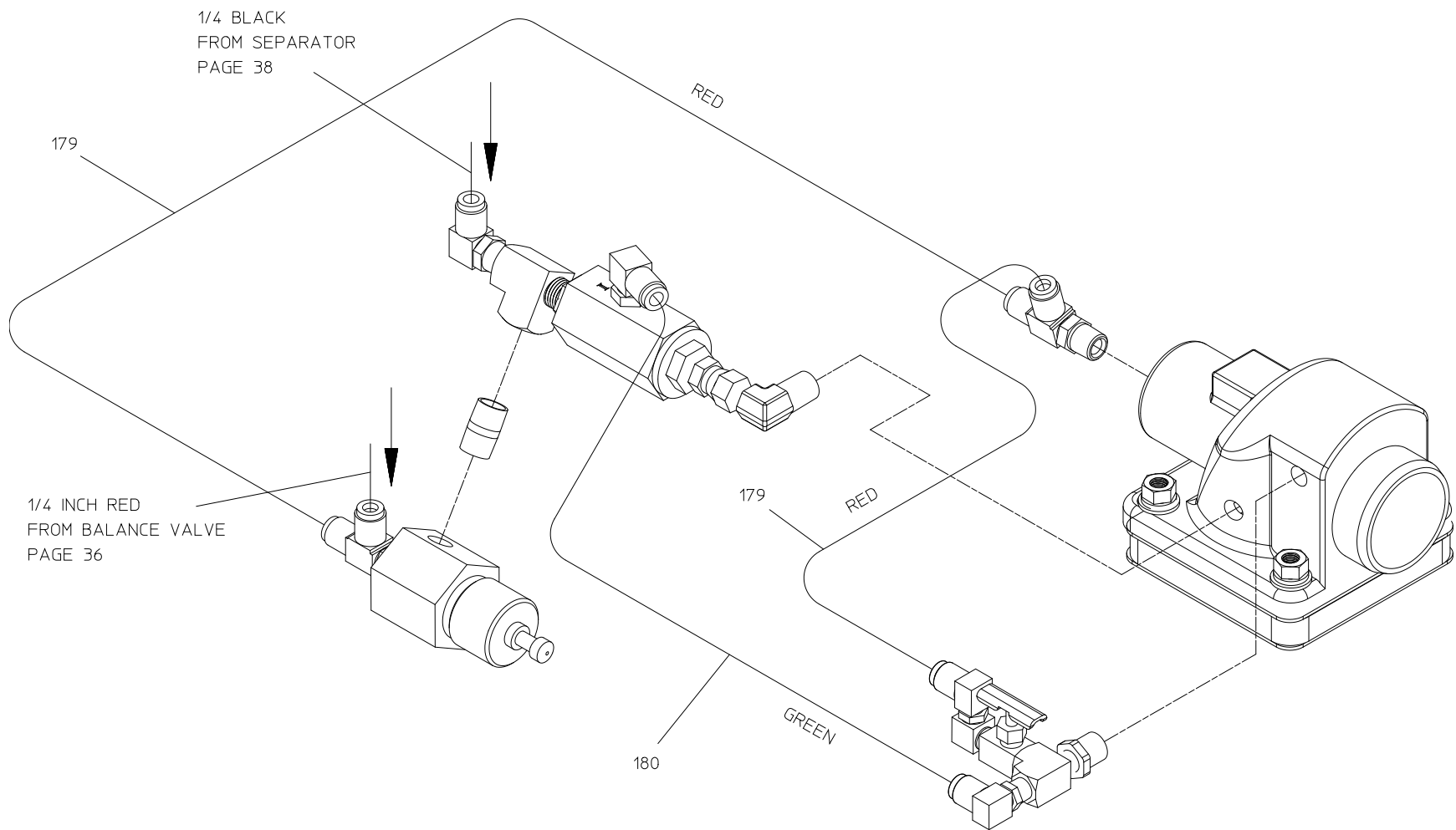
AUTO-SYNC PLATE ASSEMBLY  
 SCALE 1:1

**PANEL – AIR CONTROLS**

**Tubing and Hoses – Air  
Air Inlet and PMC**

<b>REF NO.</b>	<b>DESCRIPTION</b>
179	Air Brake Tube, Red, ¼ x 24 in.

<b>REF NO.</b>	<b>DESCRIPTION</b>
180	Air Brake Tube, Green, ¼ x 24 in.



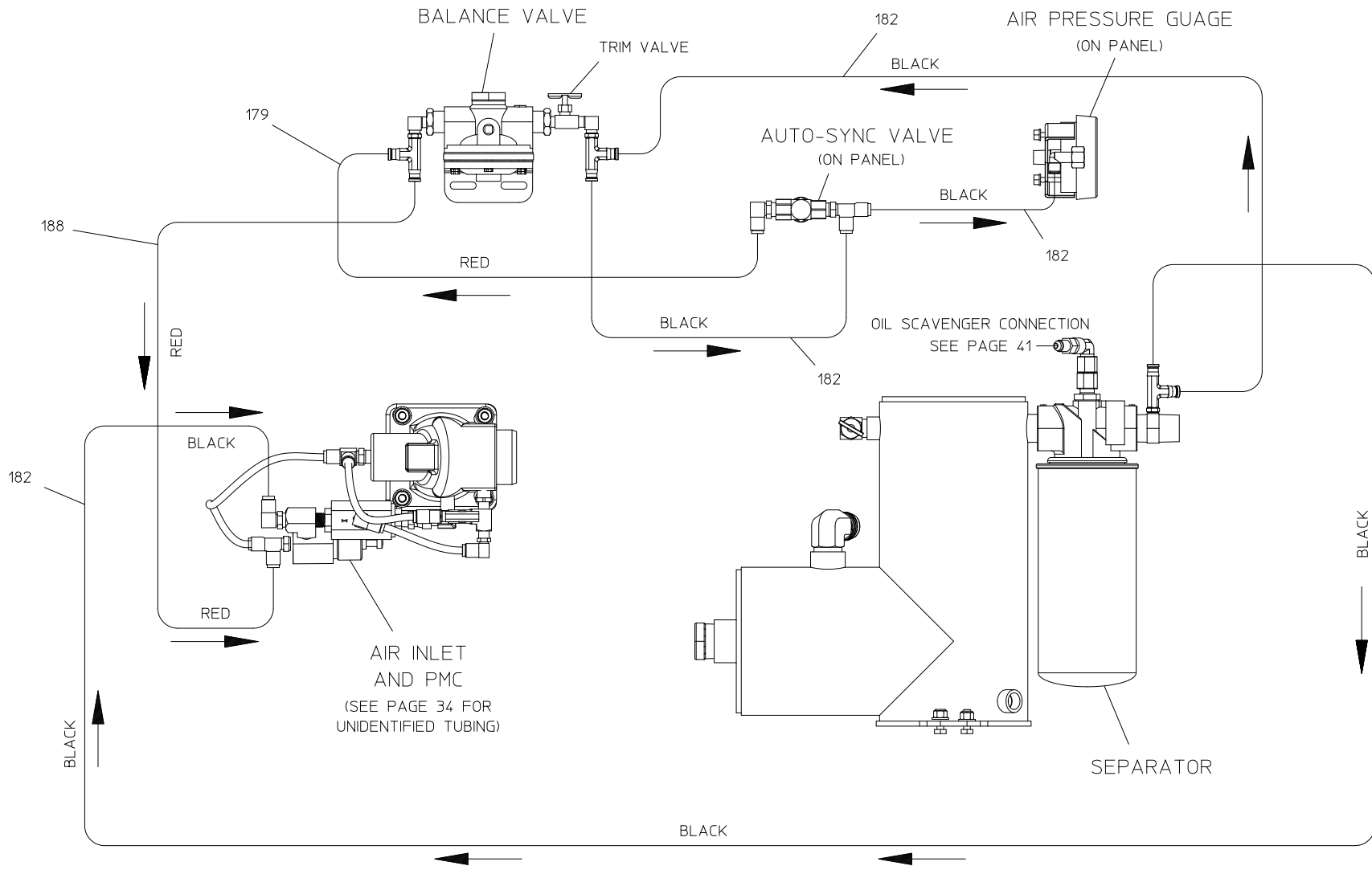
**TUBING AND HOSES – AIR**

AIR INLET AND PMC

**Tubing and Hoses – Air**  
**Balance Valve, Separator, Auto-Sync, Air Pressure Gauge**

<b>REF NO.</b>	<b>DESCRIPTION</b>
179	Air Brake Tube, Red, ¼ x 24 in.
182	Air Brake Tube, Black, ¼ x 180 in.

<b>REF NO.</b>	<b>DESCRIPTION</b>
188	Air Brake Tube, Red, 1/4 x 120 in.

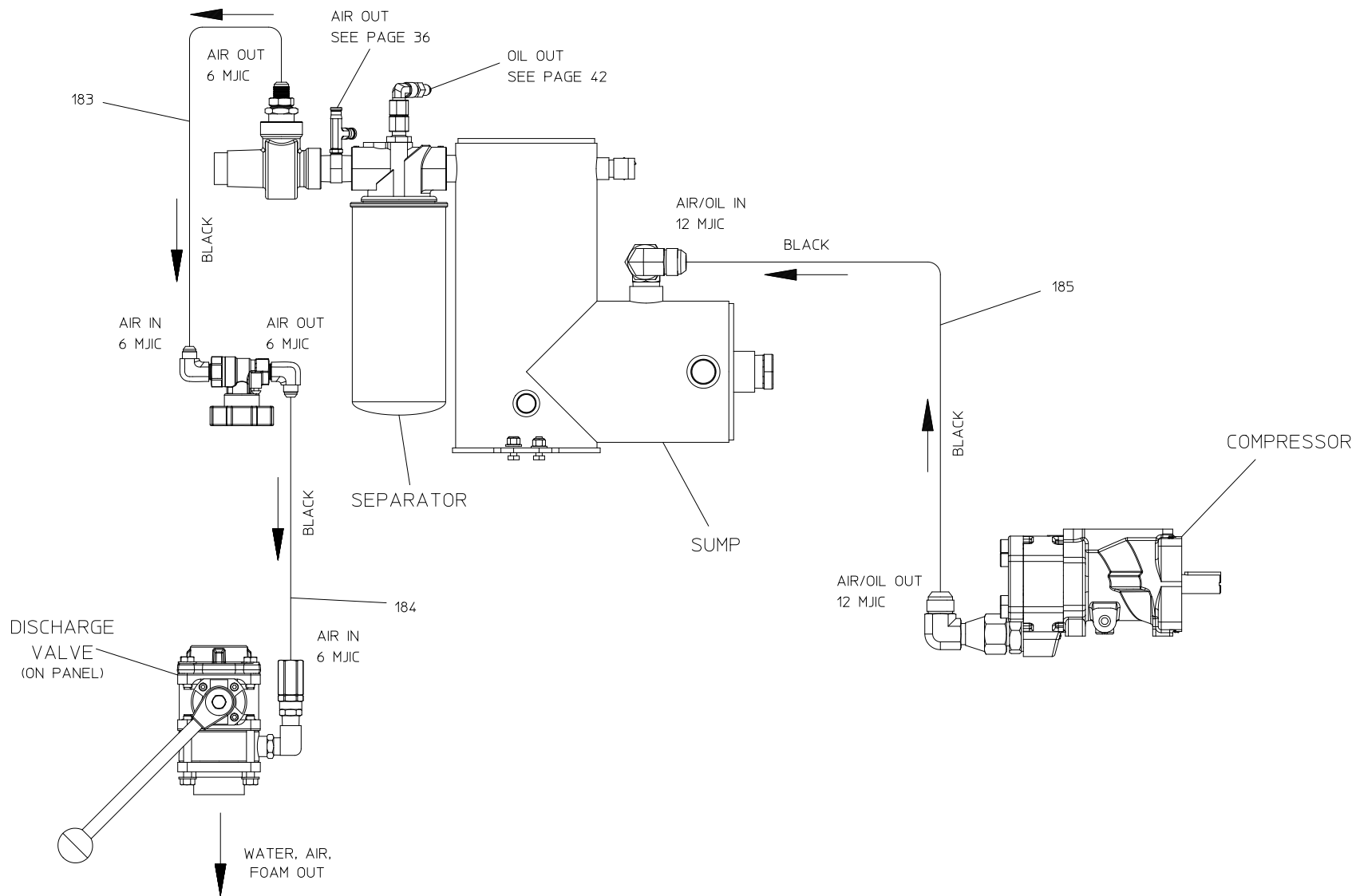


**TUBING AND HOSES – AIR**  
 BALANCE VALVE, SEPARATOR, AUTO-SYNC, AIR PRESSURE GAUGE

**Tubing and Hoses – Air  
Compressor to Sump**

<b>REF NO.</b>	<b>DESCRIPTION</b>
183	Push On Hose, Black, 6 FJIC x 48 in.
184	Push On Hose, Black, 6 FJIC x 8 in.

<b>REF NO.</b>	<b>DESCRIPTION</b>
185	Hydraulic Hose, 12 FJIC x 15 in.



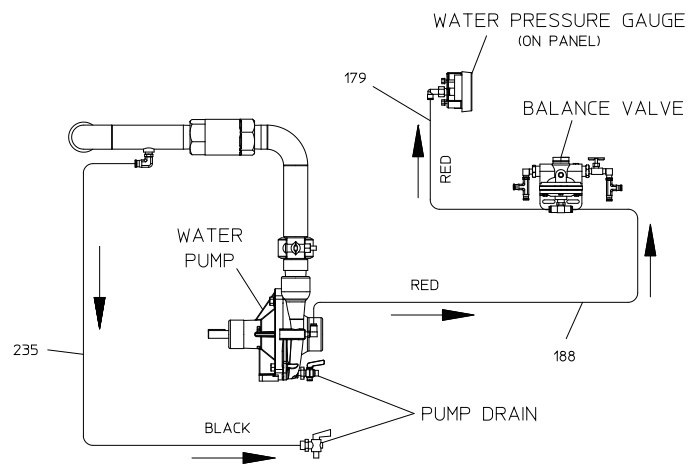
**TUBING AND HOSES – AIR**  
 COMPRESSOR TO SUMP

## Tubing and Hoses – Water and Foam

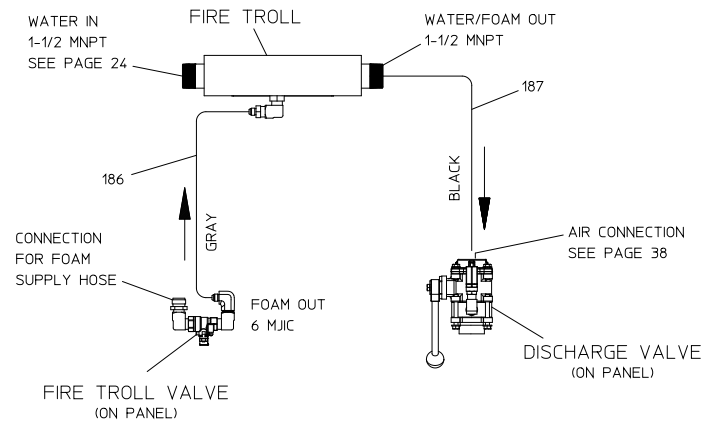
REF NO.	DESCRIPTION
179	Air Brake Tube, Red, 1/4 x 24 in.
186	Push on Hose, Gray, 6 FJIC x 23-1/4 in.
187	Hydraulic Hose, 1-1/2 MNPT x 1-1/2 FNPT x 22 in.
188	Air Brake Tube, Red, 1/4 x 120 in.

REF NO.	DESCRIPTION
189	Air Brake Tube, Blue, 3/8 x 48 in.
190	Vinyl Hose, 1/2 x 24 in.

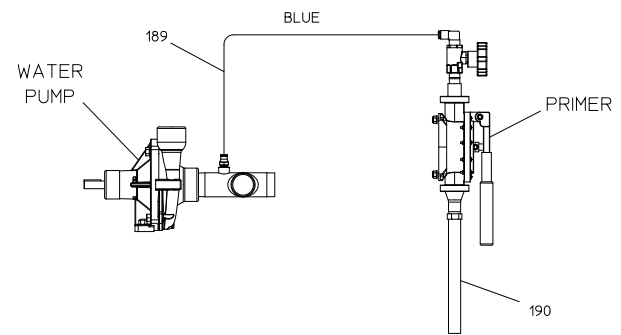




PUMP



FOAM SYSTEM



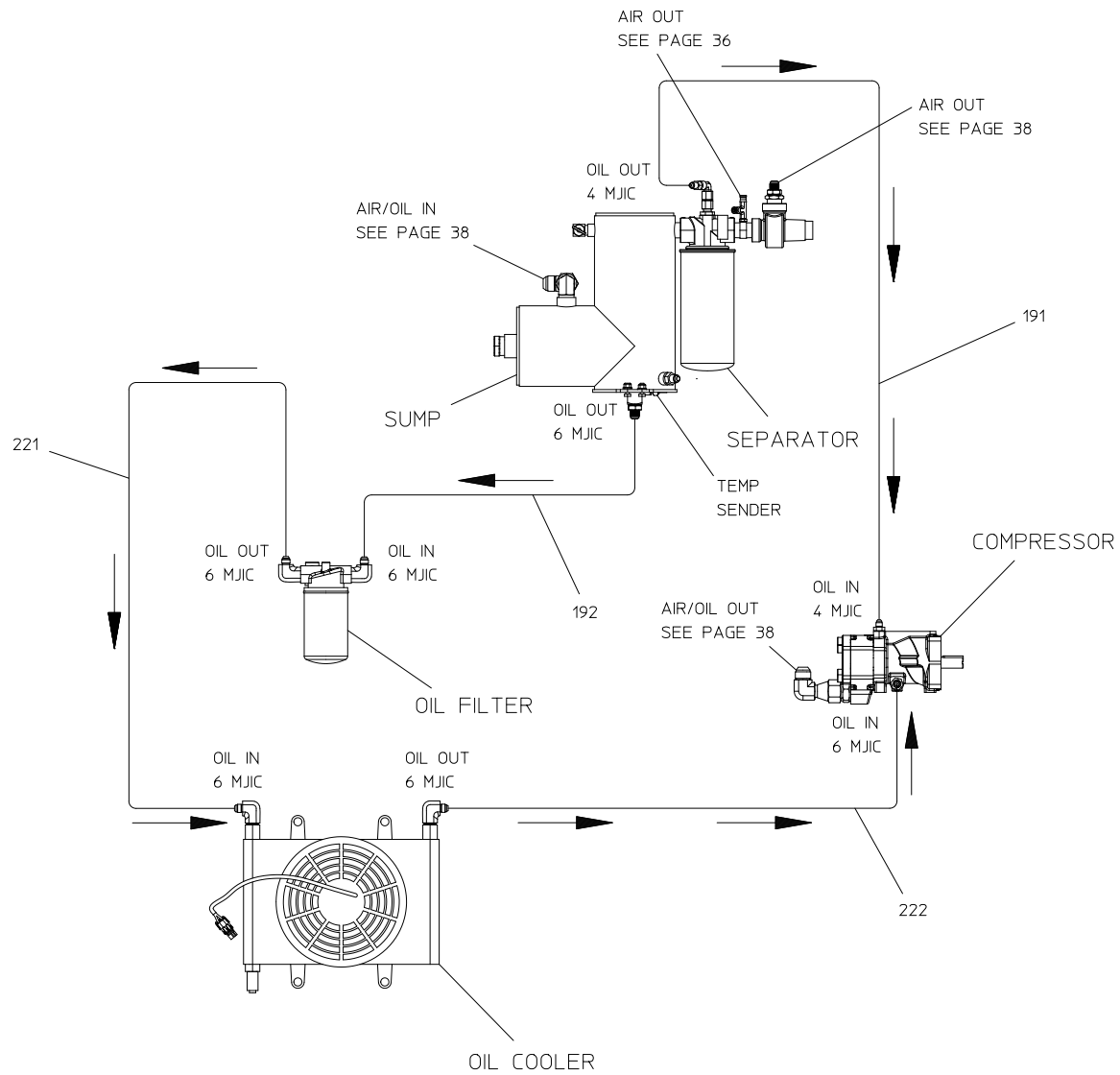
PRIMER

TUBING AND HOSES – WATER AND FOAM

**Tubing and Hoses – Oil  
Compressor to Oil Cooler**

<b>REF NO.</b>	<b>DESCRIPTION</b>
191	Hydraulic Hose, 4 FJIC x 25 in.
192	Hydraulic Hose, 6 FJIC x 40 in.

<b>REF NO.</b>	<b>DESCRIPTION</b>
221	Hydraulic Hose, 6 FJIC x 30 in.
222	Hydraulic Hose, 6 FJIC x 32 in.

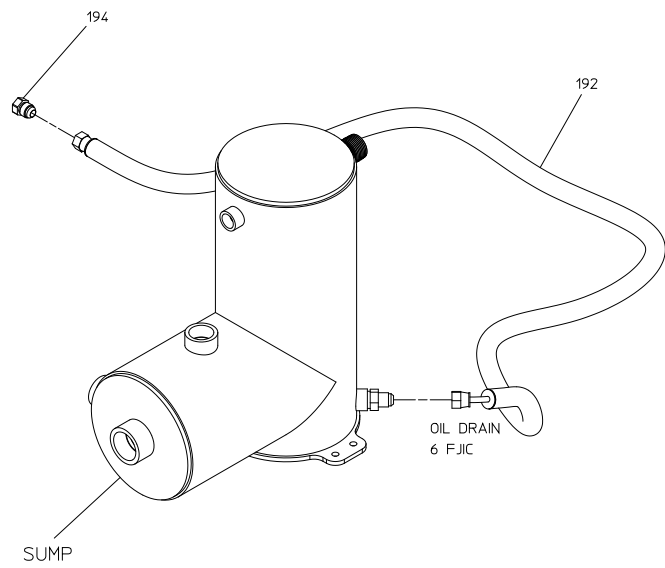


**TUBING AND HOSES – OIL**  
 COMPRESSOR TO COOLER

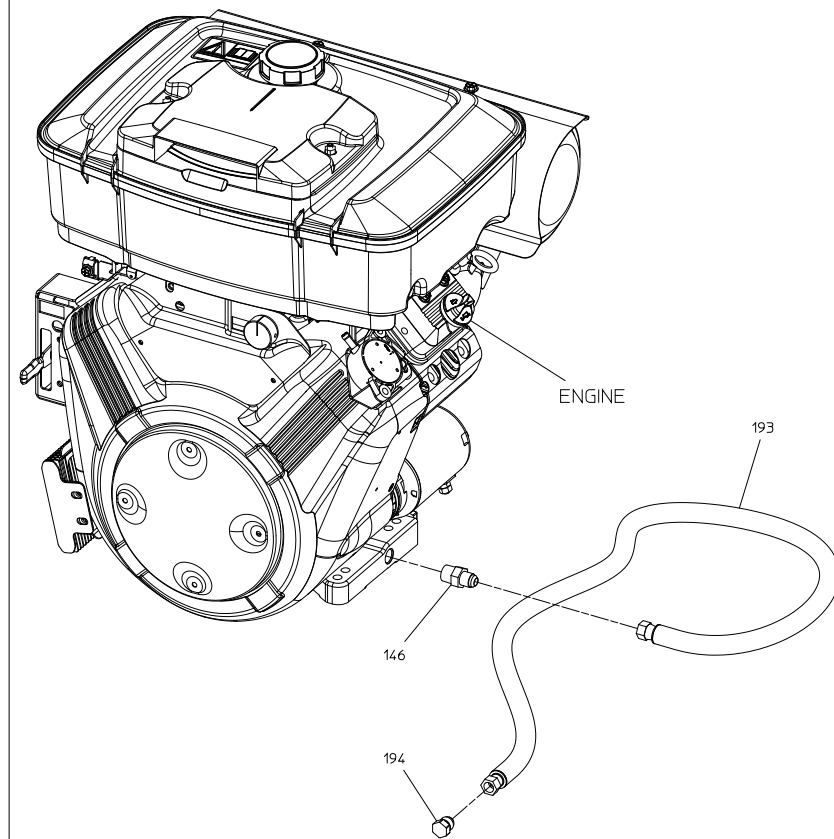
**Tubing and Hoses – Oil Drain  
Sump and Engine**

<b>REF NO.</b>	<b>DESCRIPTION</b>
146	Straight Adapter, 3/8 MNPT x 6 MJIC
192	Hydraulic Hose, 6 FJIC x 40 in.
193	Push On Hose, Black, 6 FJIC x 48 in.

<b>REF NO.</b>	<b>DESCRIPTION</b>
194	Hex Plug, 6 MJIC



SUMP

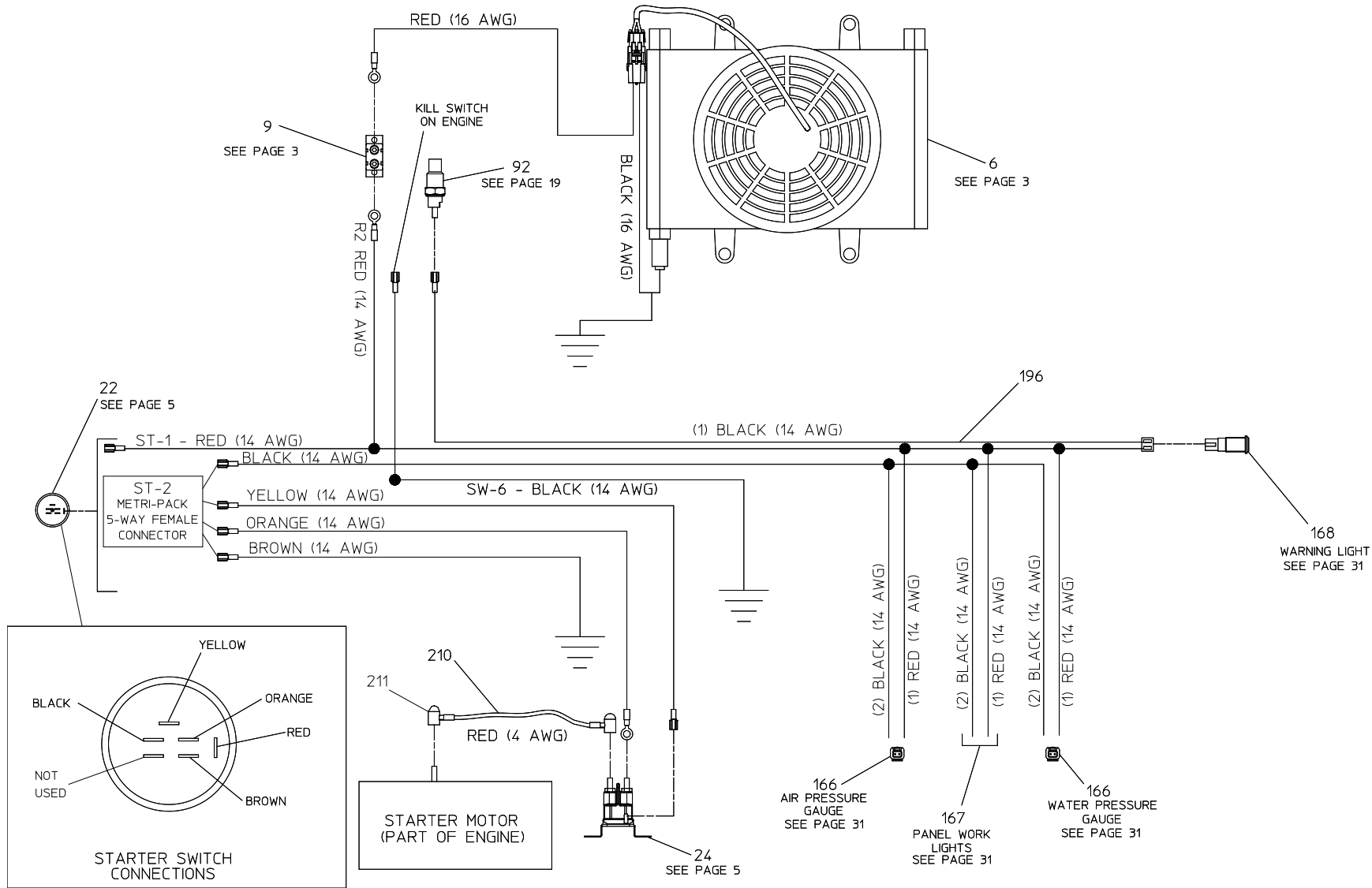


ENGINE

## Electrical Schematic

REF NO.	DESCRIPTION
6	Air Oil Cooler
9	Circuit Breaker, 12V, 40A
22	Ignition Switch
24	Engine Starter Solenoid
92	Temperature Sender

REF NO.	DESCRIPTION
166	Dual Scale Pressure Gauge
167	Utility Lamp
168	Compressor Temperature Warning Light
196	Wiring Harness
210	Wire, Solenoid to Starter
211	Boot-Red



**ELECTRICAL SCHEMATIC**