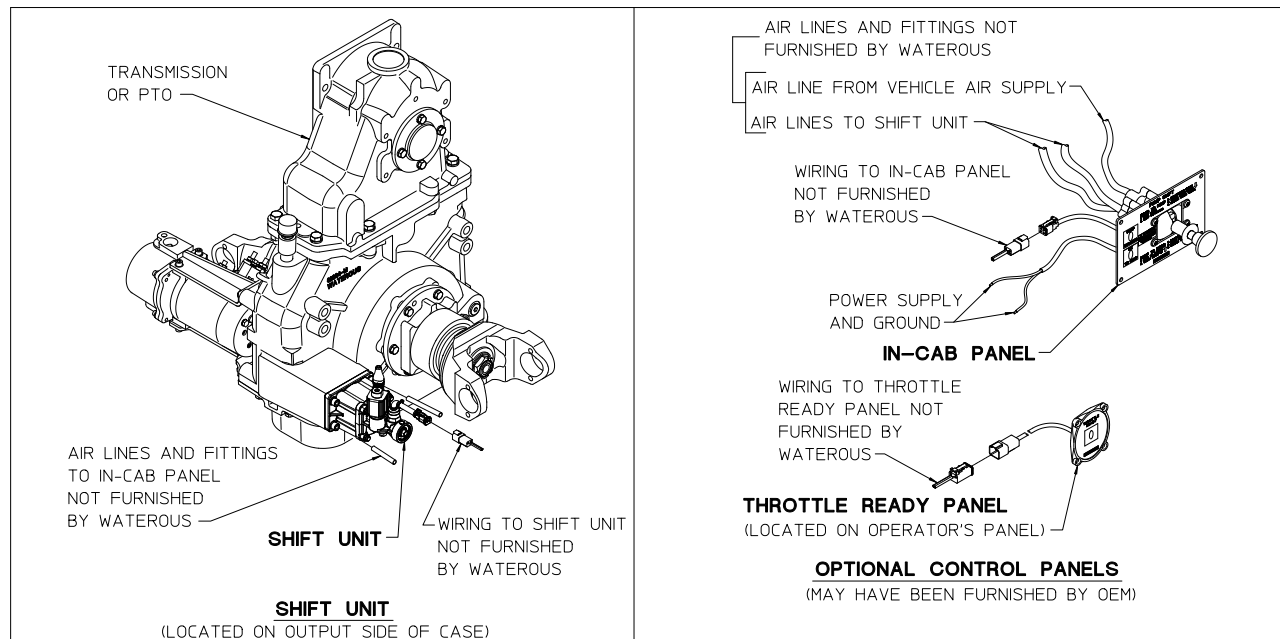


Pneumatic Shift Service Parts List

As used with C20, C21 Series Transmissions and TC20, TC21 Series PTO's

Index:

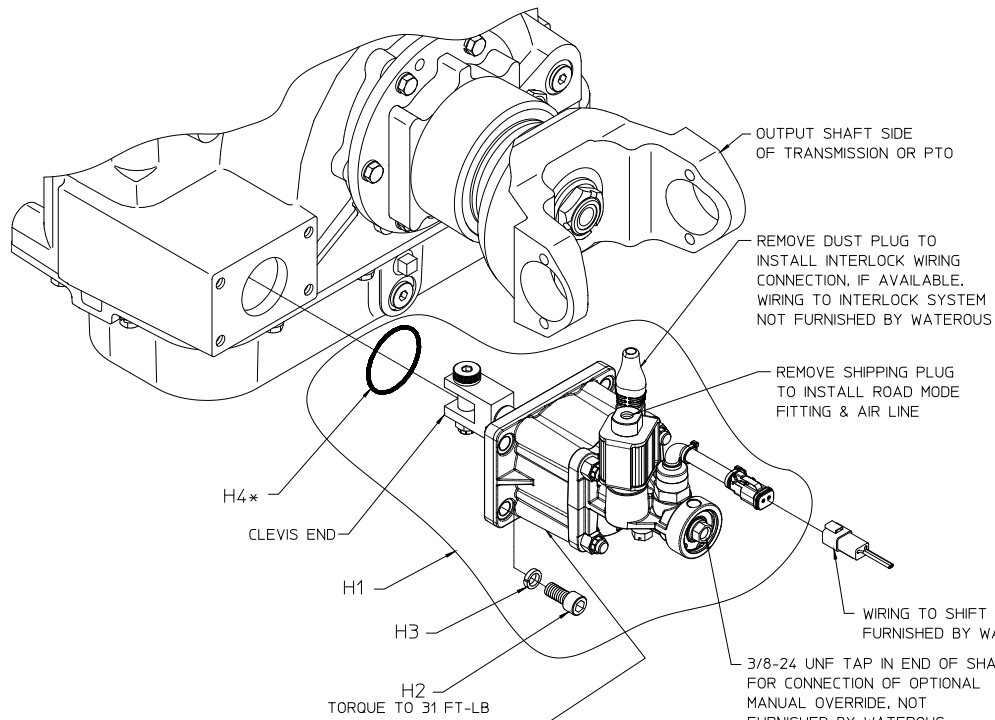
Component		See Page	
Shift Unit	Mounting on Transmission or PTO	2, 3	
	Components	4, 5	
Optional Control Panels <i>(May have been furnished by OEM)</i>	In-Cab Panel	6, 7	
	Throttle Ready Panel <i>(Located on Operator's Panel)</i>	Single Light	8, 9
		Dual Light	10, 11



Shift Unit – Mounting on Transmission or PTO

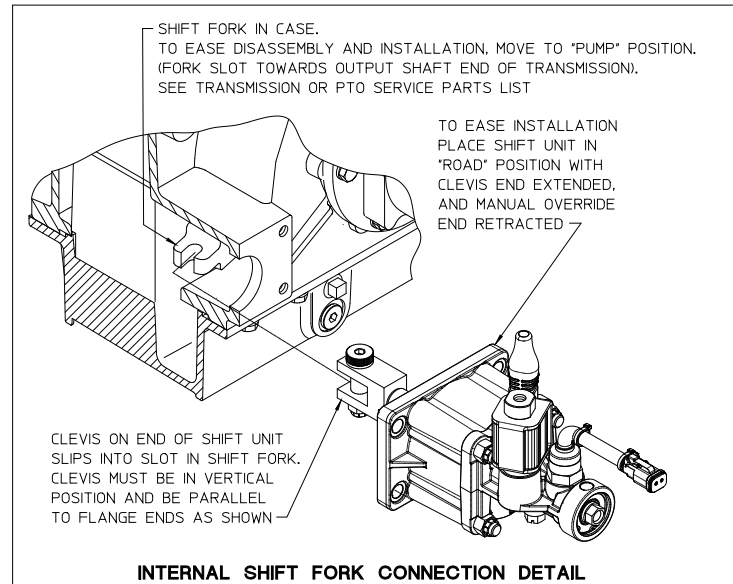
REF. NO.	DESCRIPTION
H1	Shift Unit Assembly (Includes Ref. No.'s H2, H3 and H4)
H2	Skt Hd Cap Screw, 3/8-16 x 1 in.
H3	Lock Washer, 3/8 in.

REF. NO.	DESCRIPTION
H4	O-ring, 2-1/4 x 2-1/2 in.

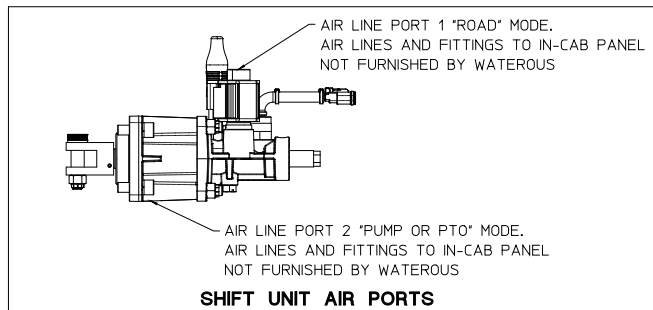


REMOVE SHIPPING PLUG TO INSTALL PUMP MODE FITTING & AIR LINE

*COMPONENT OF TRANSMISSION O-RING AND GASKET KIT, SEE TRANSMISSION OR PTO SERVICE PARTS LIST



INTERNAL SHIFT FORK CONNECTION DETAIL



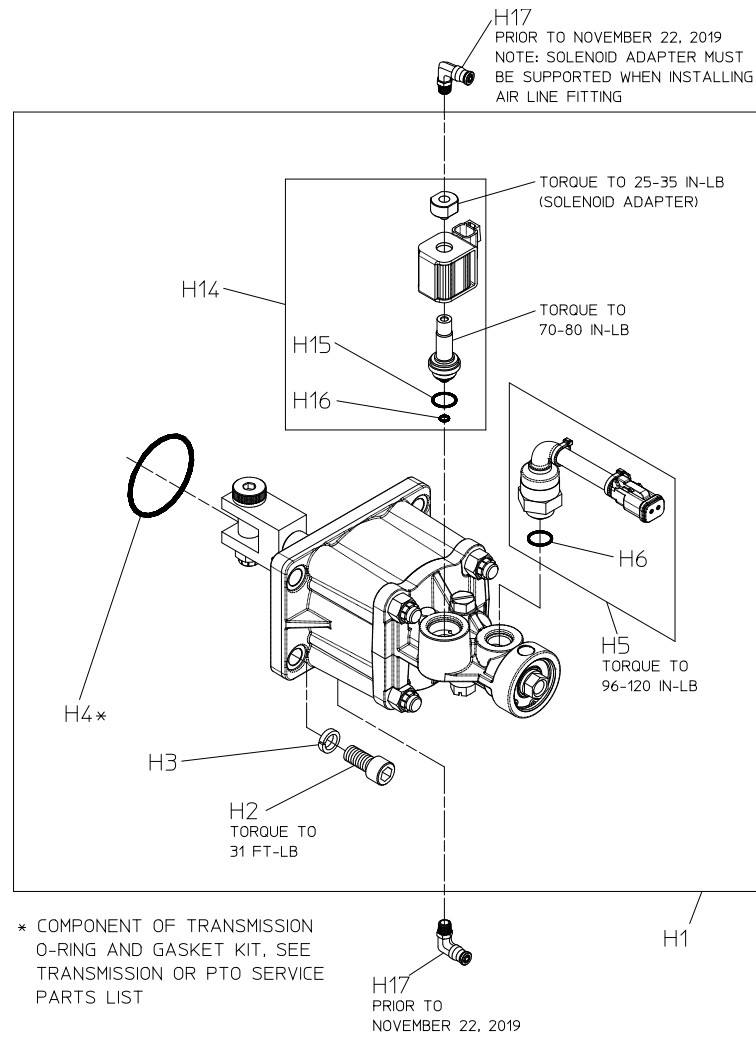
SHIFT UNIT AIR PORTS

SHIFT UNIT – MOUNTING ON TRANSMISSION OR PTO

Shift Unit – Components

REF. NO.	DESCRIPTION
H1	Shift Unit Assembly (Includes Ref. No.'s H2 thru H16)
H2	Skt Hd Cap Screw, 3/8-16 x 1 in.
H3	Lock Washer, 3/8 in.
H4	O-ring, 2-1/4 x 2-1/2 in.
H5	Switch (Includes Ref. No. H6)
H6	O-ring, 1/2 x 5/8 in.

REF. NO.	DESCRIPTION
H14	Shift Interlock Solenoid (Includes H15 and H16)
H15	O-ring, 5/8 x 3/4 in.
H16	O-ring, 3/16 x 5/16 in.
H17	Elbow Adapter, 1/8 NPT x 1/4 Tube

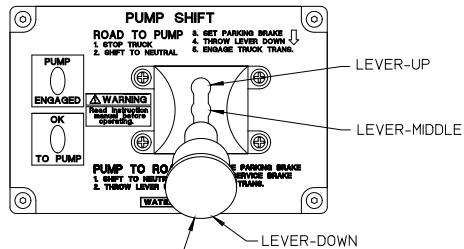
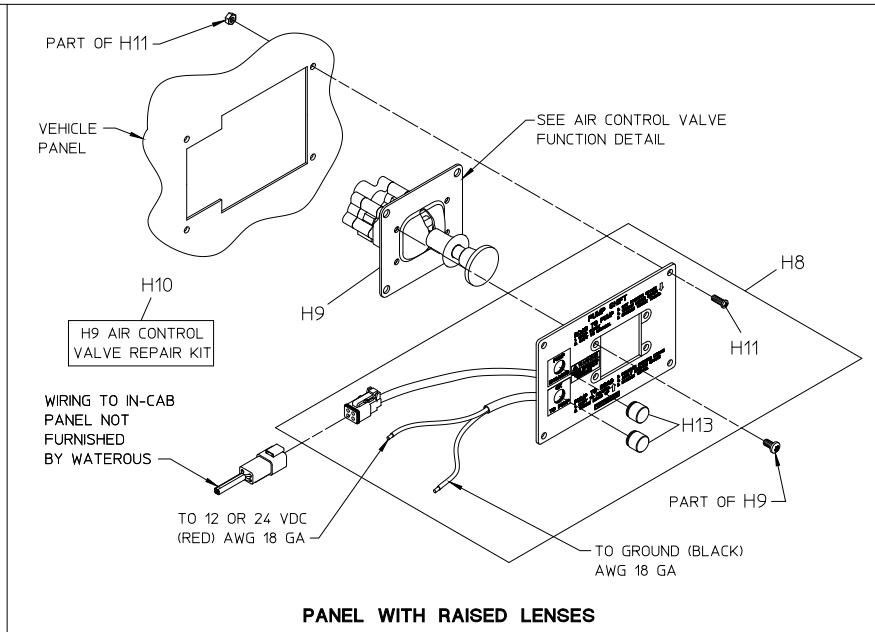
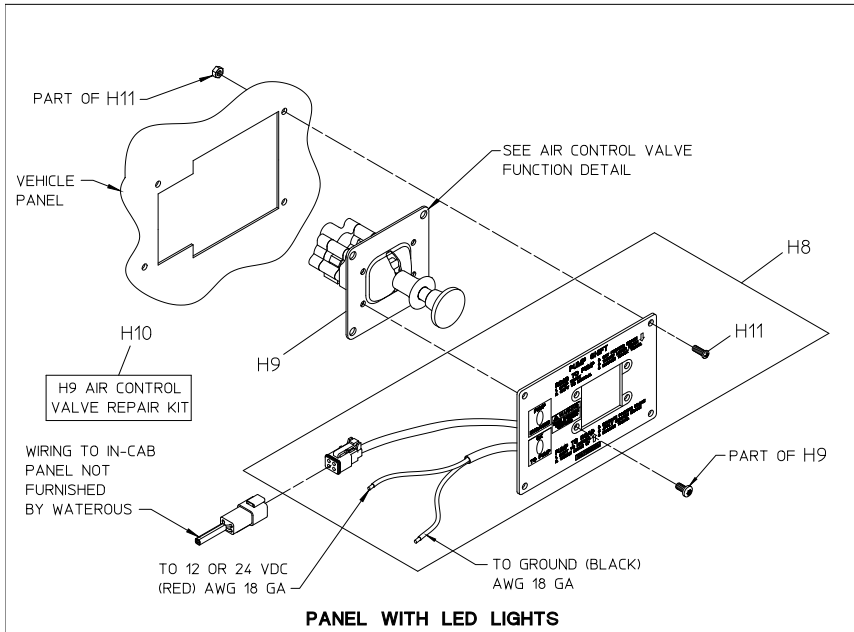


SHIFT UNIT – COMPONENTS

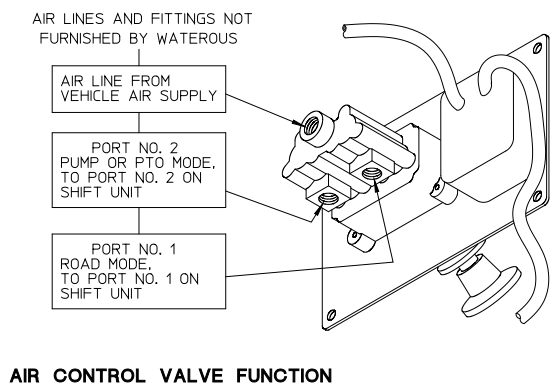
Optional Control Panels In-Cab Panels

REF. NO.	DESCRIPTION
H8	In-Cab Panel (Includes four Ref. No. H11 mounting screws and nuts)
H9	Air Control Valve (Includes four 10-32 x 1/2 in. Torx Button Head mounting screws)

REF. NO.	DESCRIPTION
H10	Air Control Valve Repair Kit
H11	Flat Hd Screw 10-24 x 3/4 in. and 10-24 Hex Nut (For In-Cab Panel)
H13	Green Lens Cap



LEVER-UP, (ROAD) AIR FLOW THRU PORT NO. 1
LEVER-MIDDLE EXHAUSTS PORT NO'S. 1 AND 2, ZERO AIR FLOW (ALLOWS FOR MANUAL MOVEMENT OF SHIFT UNIT)
LEVER-DOWN, (PUMP OR PTO) AIR FLOW THRU PORT NO. 2



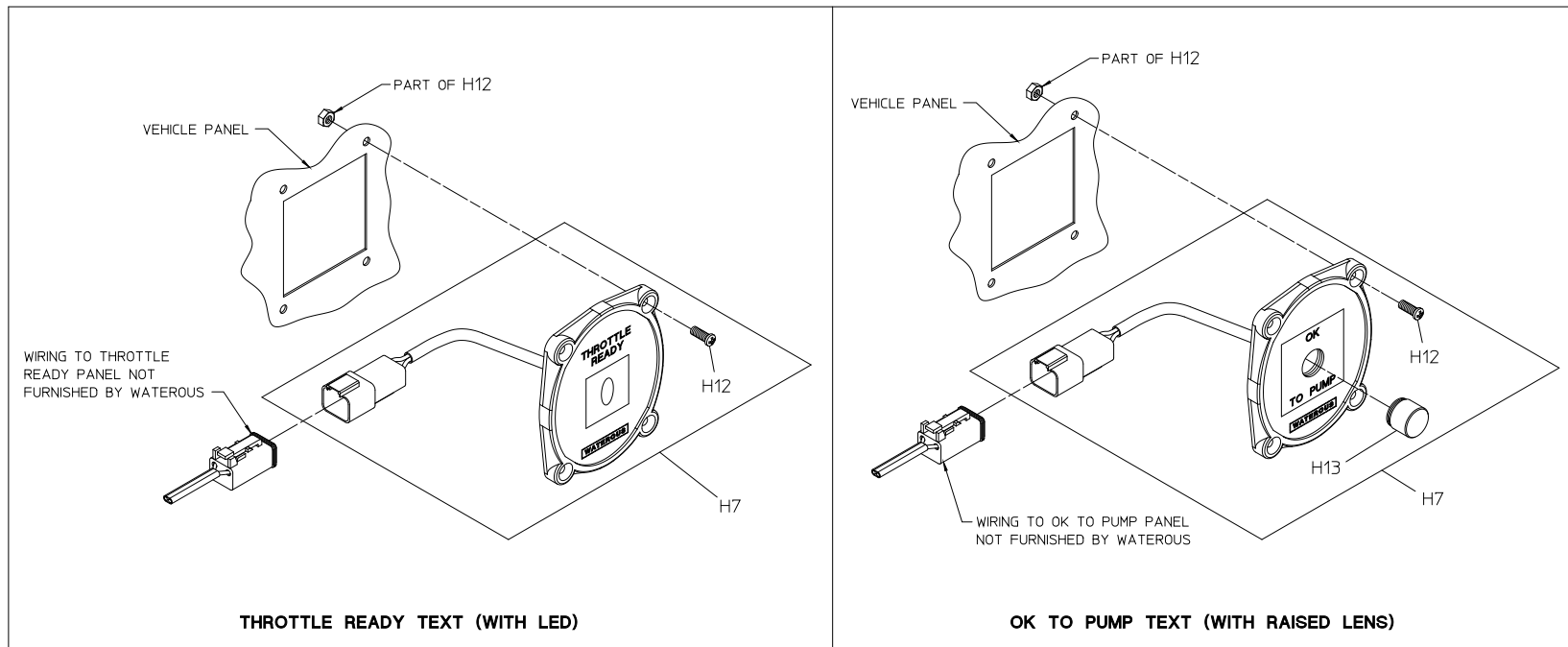
IN-CAB PANEL

Optional Control Panels

Throttle Ready Panel (Located on Operator's Panel) – Single Light

REF. NO.	DESCRIPTION
H7	Throttle Ready Panel (Includes four Ref. No. H12 mounting screws and nuts)

REF. NO.	DESCRIPTION
H12	Flat Hd Screw, 6-32 x 3/4 in. and 6-32 Hex Nut (For Throttle Ready Panel)
H13	Green Lens Cap



THROTTLE READY PANEL

LOCATED ON OPERATOR'S PANEL

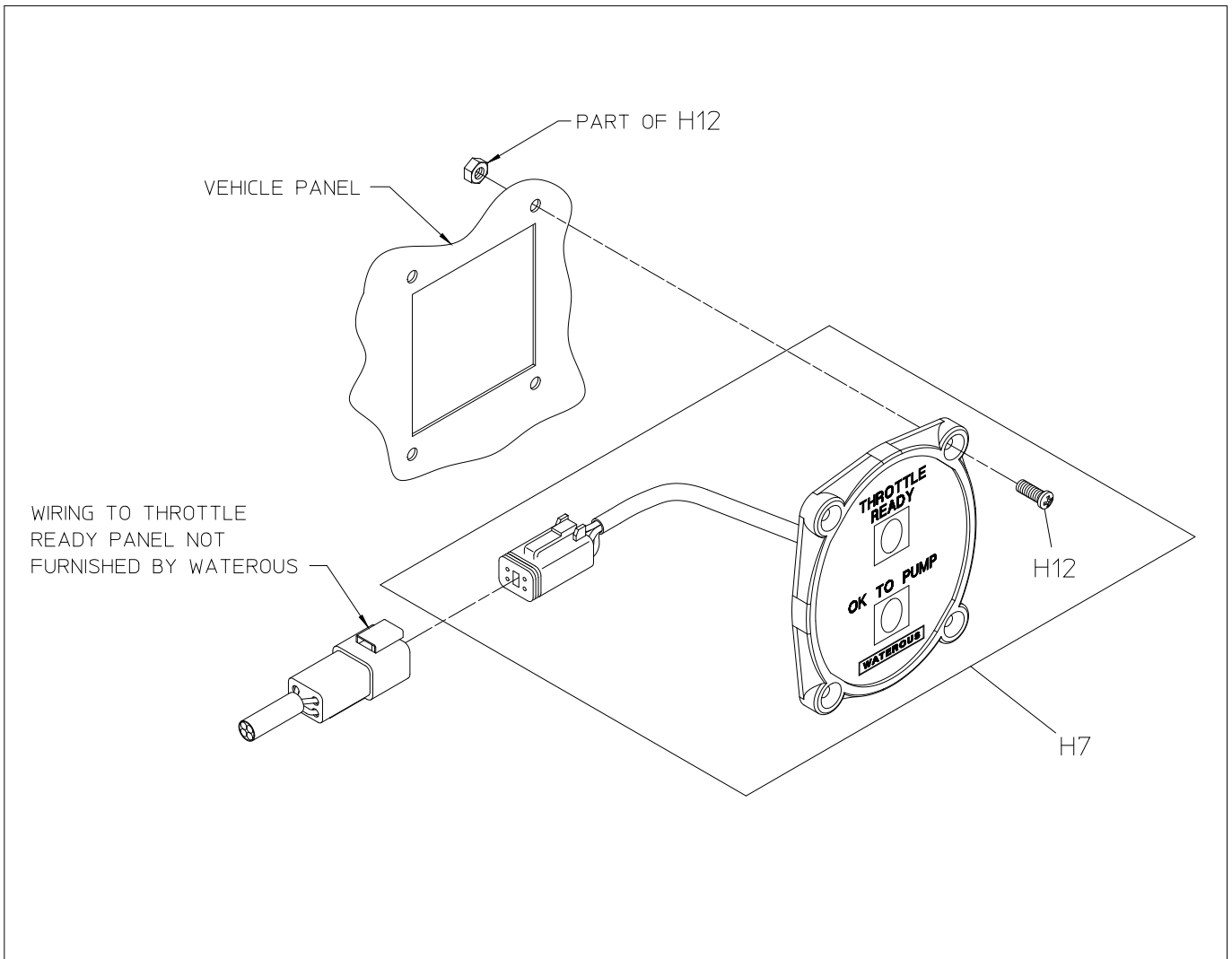
SINGLE LIGHT

Optional Control Panels

Throttle Ready Panel (Located on Operator's Panel) – Dual Light

REF. NO.	DESCRIPTION
H7	Throttle Ready Panel (Includes four Ref. No. H12 mounting screws and nuts)

REF. NO.	DESCRIPTION
H12	Flat Hd Screw, 6-32 x 3/4 in. and 6-32 Hex Nut (For Throttle Ready Panel)



THROTTLE READY PANEL

LOCATED ON OPERATOR'S PANEL

DUAL LIGHT