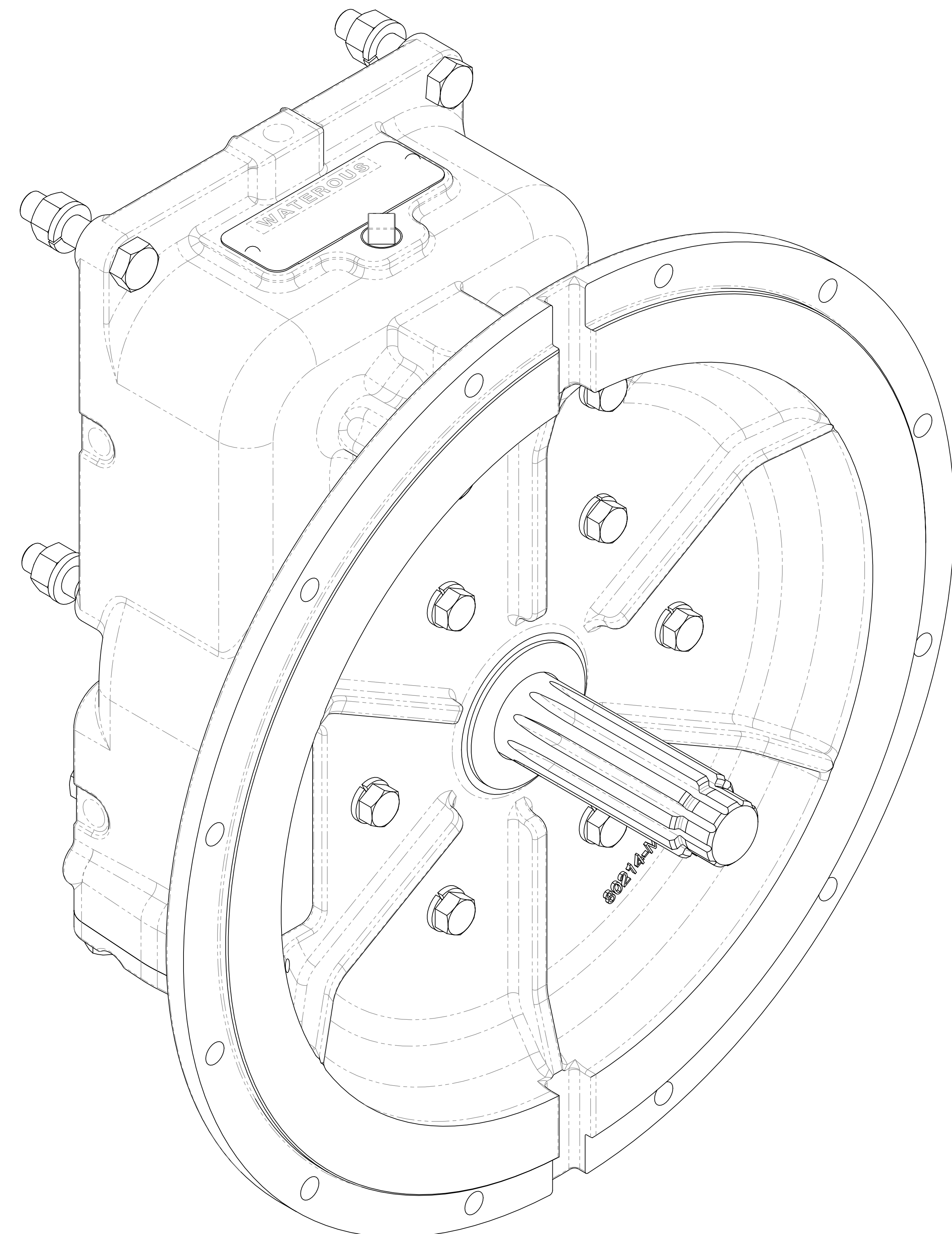


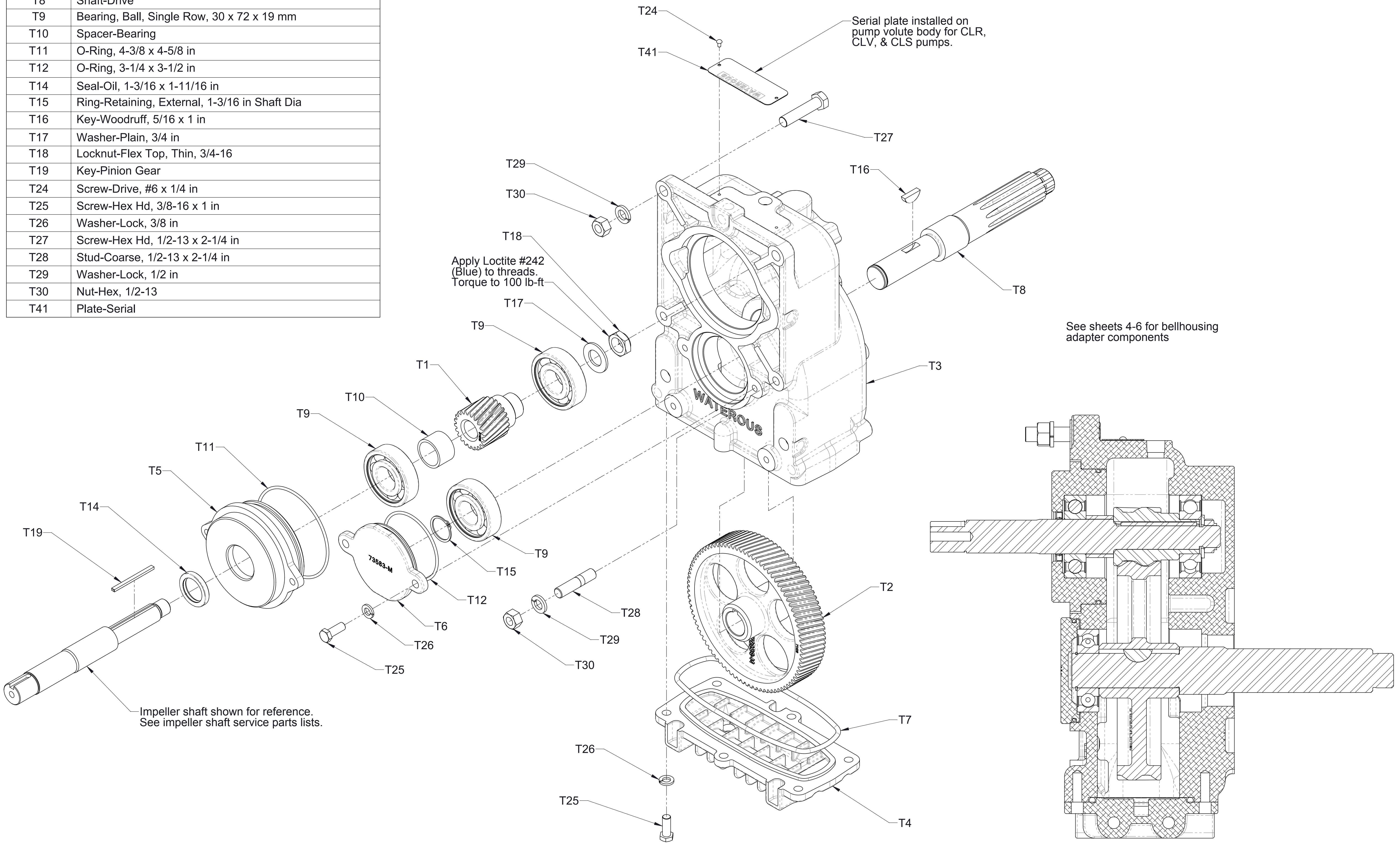
## Medium Duty T Transmission Assy 83742

Pump Model	Impeller Shaft Type	Input Shaft Type	See Sheet
CP-2, CP-4, CLR, CLV, CLS	One-Piece	1-1/2-10 SAE Spline	2
		1 in.-15T Involute Spline	
CP-3	Separable	1-1/2-10 SAE Spline	3
		1 in.-15T Involute Spline	
Bellhousing Adapter -- SAE 3			4
Bellhousing Adapter -- SAE 4			5
Bellhousing Adapter -- SAE 5			6
Oil Cooler Fittings - CP-4			7
Pump Mounting Positions - Oil Level, Breather, Drain, and Vent locations			8-9





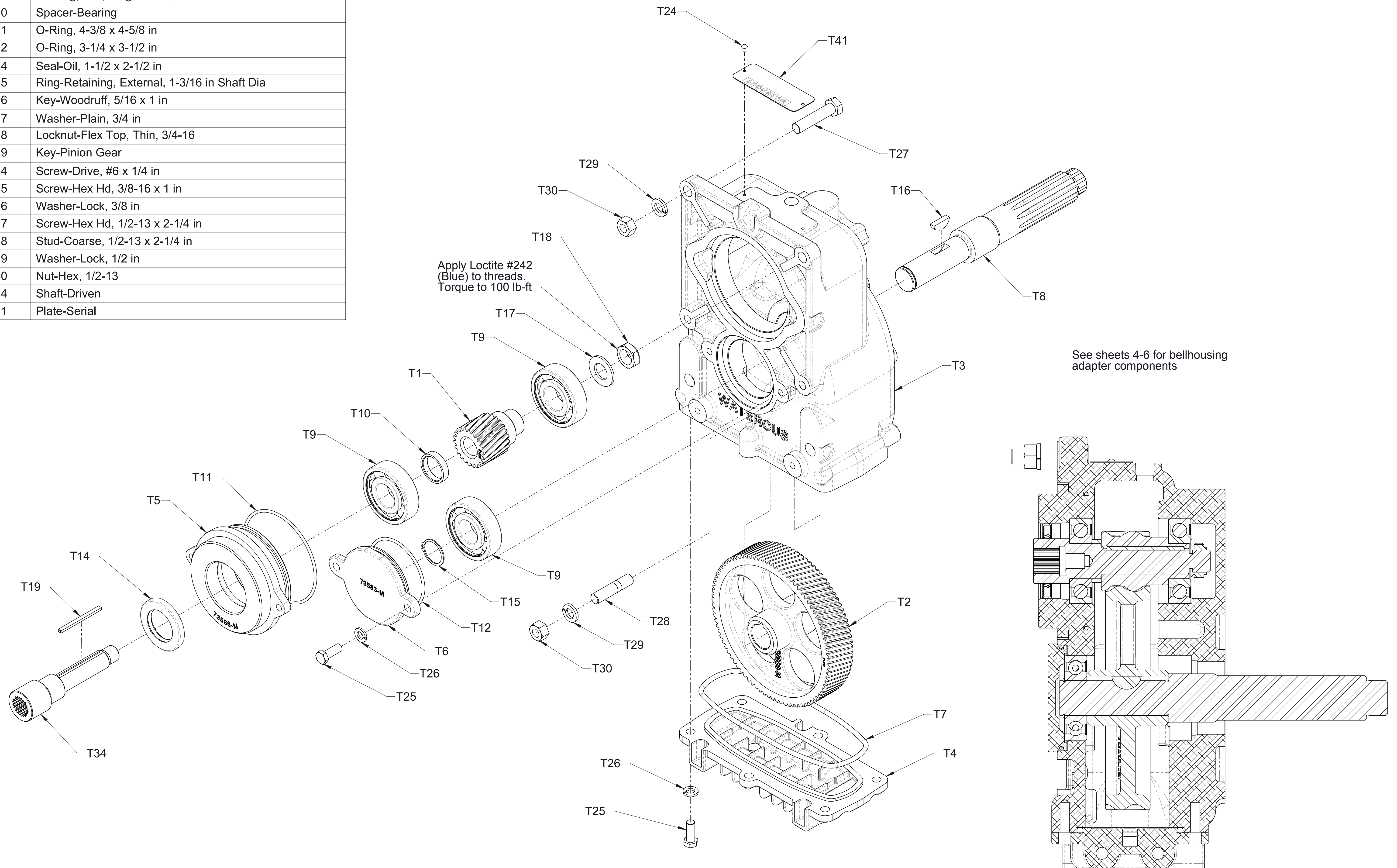
Ref No.	Description
T1	Gear-Driven
T2	Gear-Drive
T3	Case-Transmission
T4	Pan-Oil, Cooler
T5	Housing-Bearing
T6	Cover-Bearing
T7	Gasket-Molded
T8	Shaft-Drive
T9	Bearing, Ball, Single Row, 30 x 72 x 19 mm
T10	Spacer-Bearing
T11	O-Ring, 4-3/8 x 4-5/8 in
T12	O-Ring, 3-1/4 x 3-1/2 in
T14	Seal-Oil, 1-3/16 x 1-11/16 in
T15	Ring-Retaining, External, 1-3/16 in Shaft Dia
T16	Key-Woodruff, 5/16 x 1 in
T17	Washer-Plain, 3/4 in
T18	Locknut-Flex Top, Thin, 3/4-16
T19	Key-Pinion Gear
T24	Screw-Drive, #6 x 1/4 in
T25	Screw-Hex Hd, 3/8-16 x 1 in
T26	Washer-Lock, 3/8 in
T27	Screw-Hex Hd, 1/2-13 x 2-1/4 in
T28	Stud-Coarse, 1/2-13 x 2-1/4 in
T29	Washer-Lock, 1/2 in
T30	Nut-Hex, 1/2-13
T41	Plate-Serial



**Transmission Assembly  
One Piece Impeller Shaft  
CP-2, CP-4, CLR, CLV, CLS**



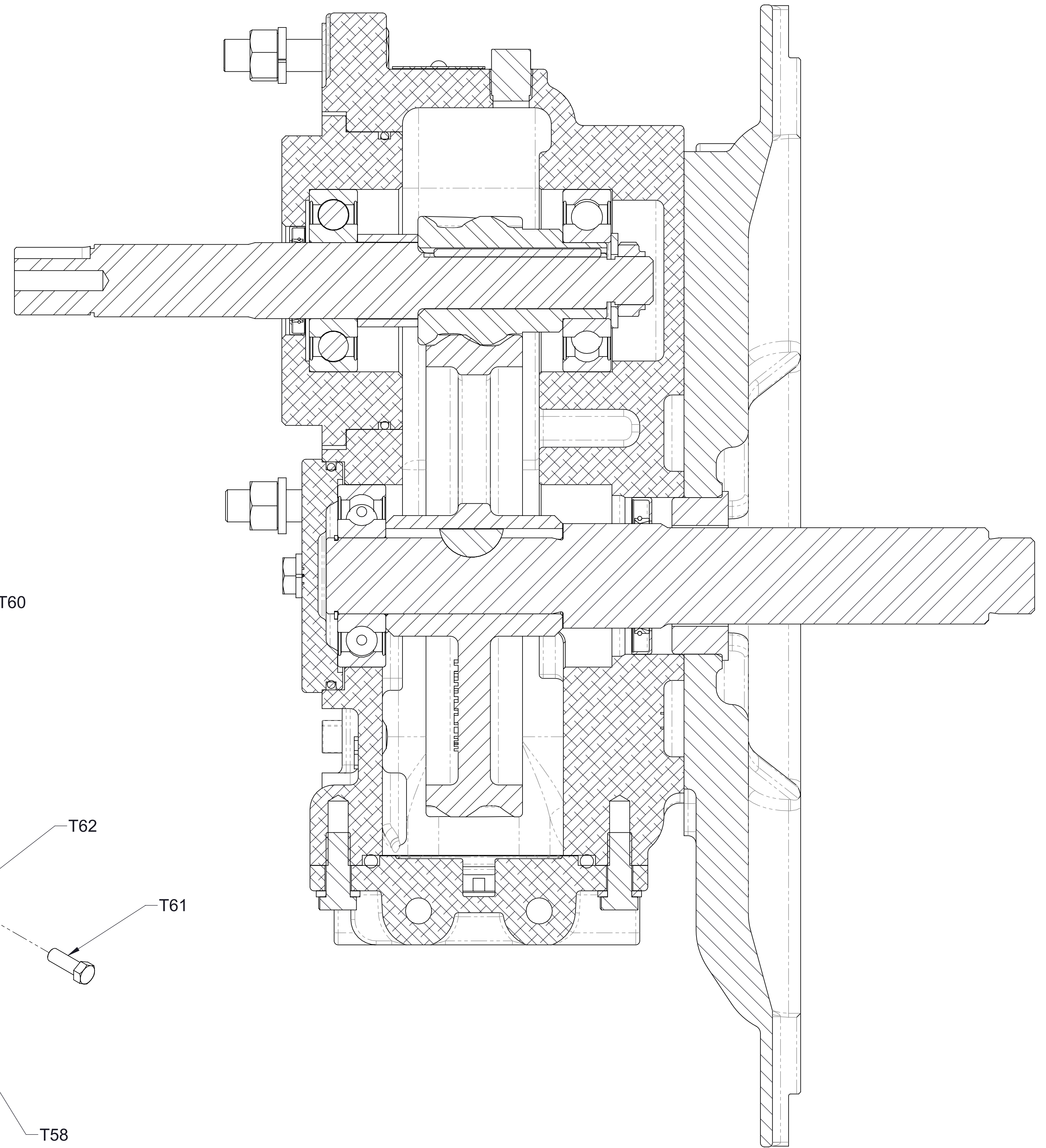
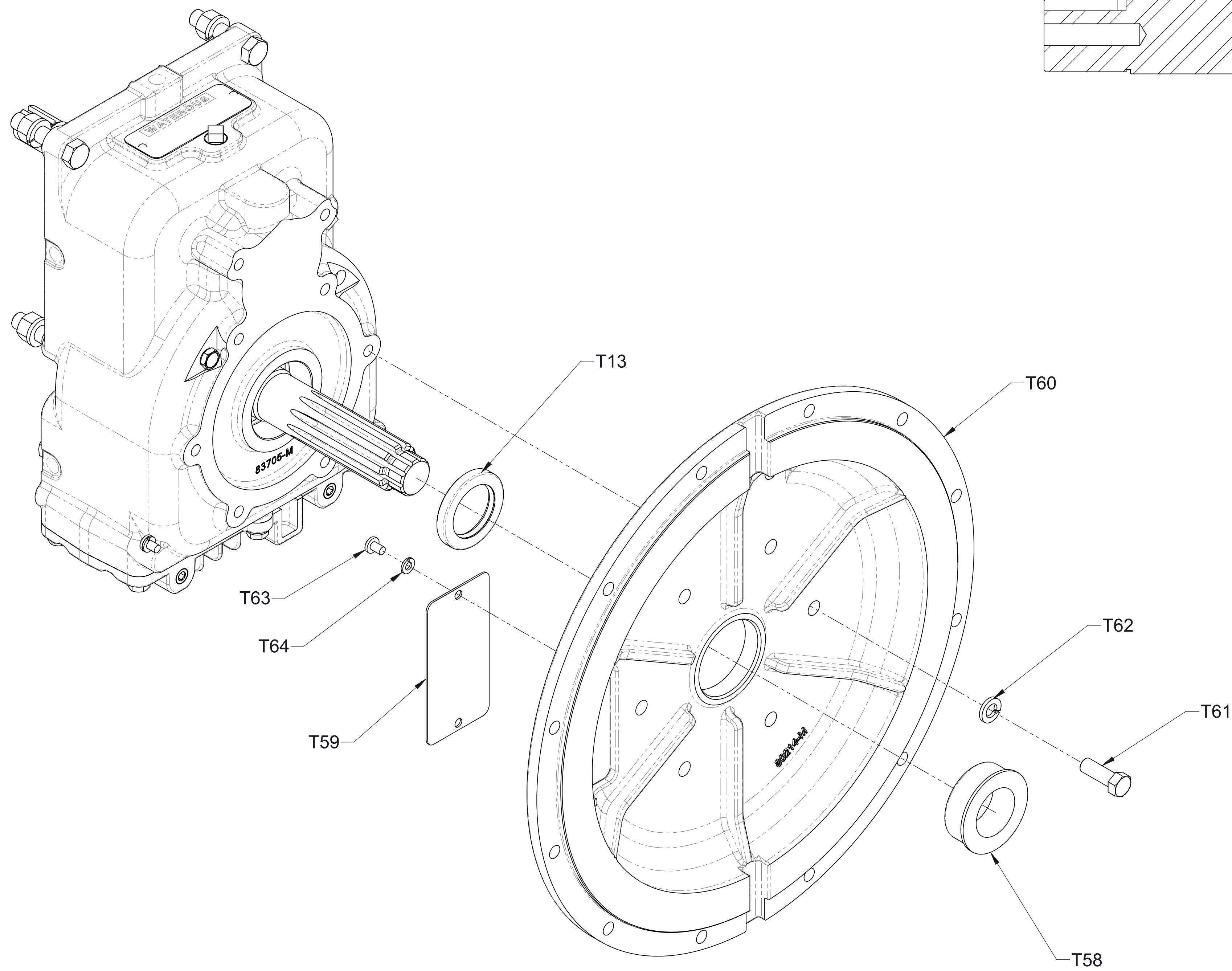
Ref No.	Description
T1	Gear-Driven
T2	Gear-Drive
T3	Case-Transmission
T4	Pan-Oil, Cooler
T5	Housing-Bearing
T6	Cover-Bearing
T7	Gasket-Molded
T8	Shaft-Drive
T9	Bearing, Ball, Single Row, 30 x 72 x 19 mm
T10	Spacer-Bearing
T11	O-Ring, 4-3/8 x 4-5/8 in
T12	O-Ring, 3-1/4 x 3-1/2 in
T14	Seal-Oil, 1-1/2 x 2-1/2 in
T15	Ring-Retaining, External, 1-3/16 in Shaft Dia
T16	Key-Woodruff, 5/16 x 1 in
T17	Washer-Plain, 3/4 in
T18	Locknut-Flex Top, Thin, 3/4-16
T19	Key-Pinion Gear </td
T24	Screw-Drive, #6 x 1/4 in
T25	Screw-Hex Hd, 3/8-16 x 1 in
T26	Washer-Lock, 3/8 in
T27	Screw-Hex Hd, 1/2-13 x 2-1/4 in
T28	Stud-Coarse, 1/2-13 x 2-1/4 in
T29	Washer-Lock, 1/2 in
T30	Nut-Hex, 1/2-13
T34	Shaft-Driven
T41	Plate-Serial



**Transmission Assembly  
Separable Impeller Shaft  
CP-3**



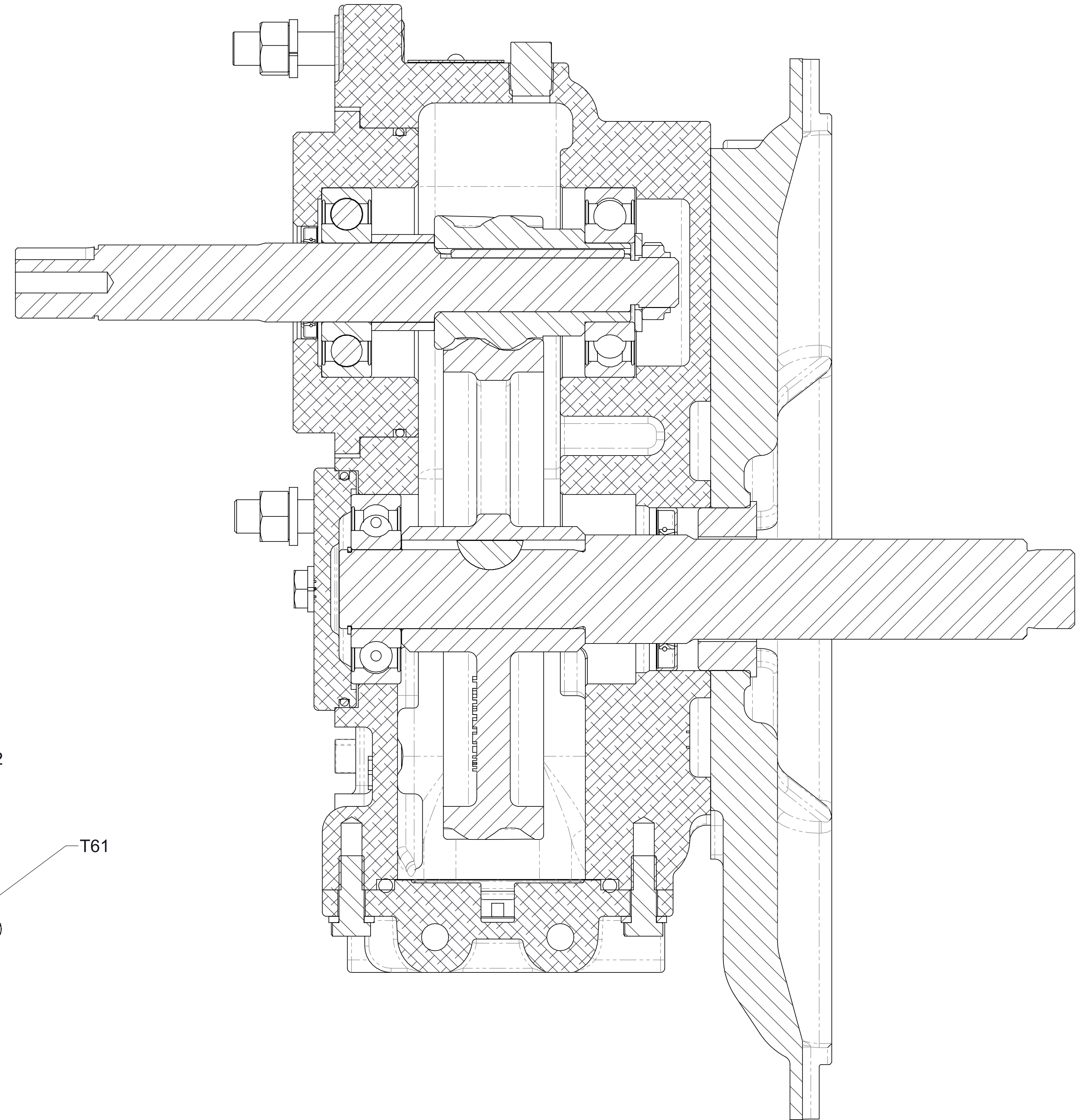
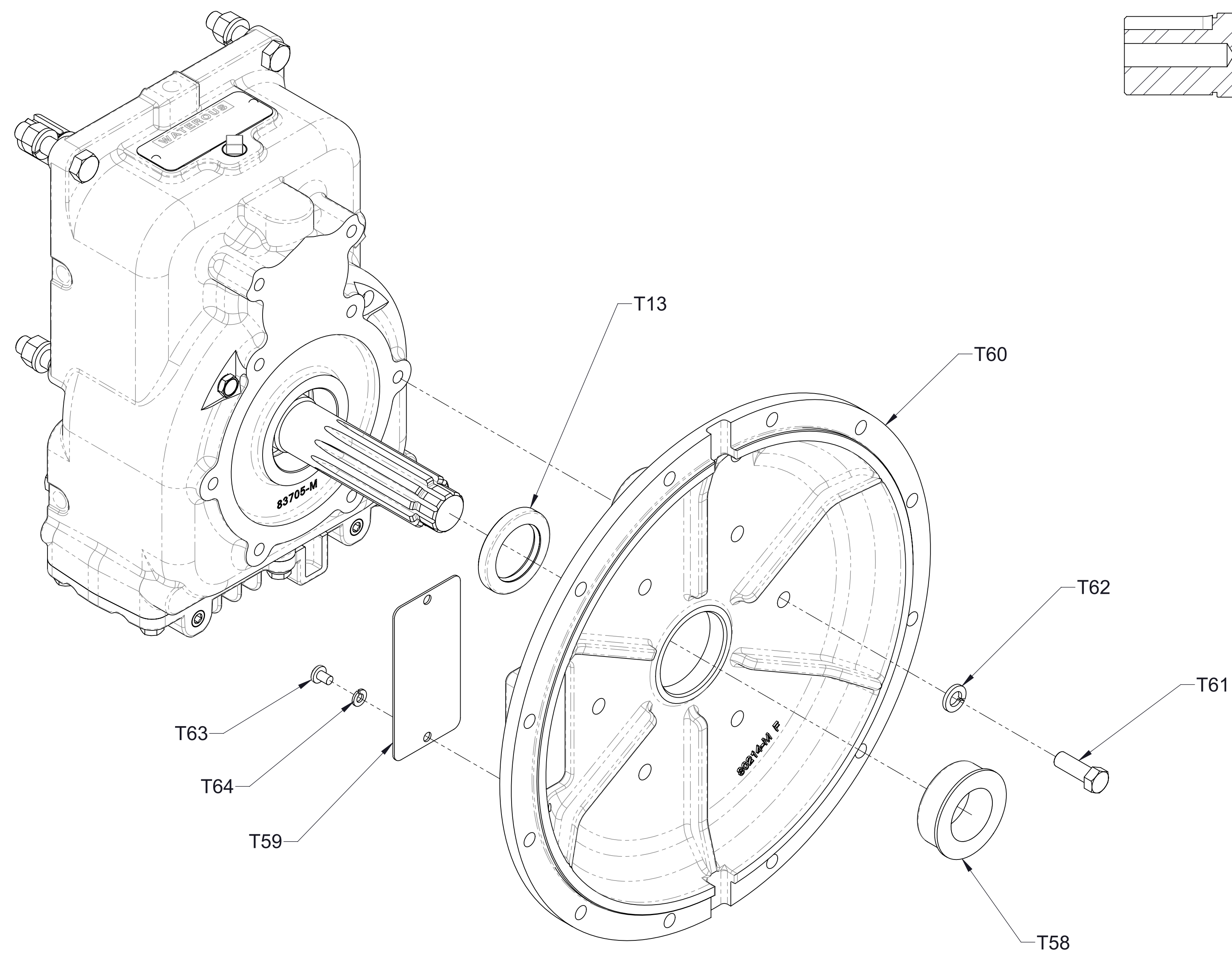
Ref No.	Description
T13	Seal-Oil, 1-5/8 x 2-7/16 in
T58	Bushing-Bellhousing Adapter
T59	Cover-Access Port
T60	Adapter-Bellhousing, SAE 3
T61	Screw-Hex Hd, 7/16-14 x 1-1/4 in
T62	Washer-Lock, 7/16 in
T63	Screw-Machine, Pan Hd, 1/4-20 x 3/8 in
T64	Washer-Lock, 1/4 in



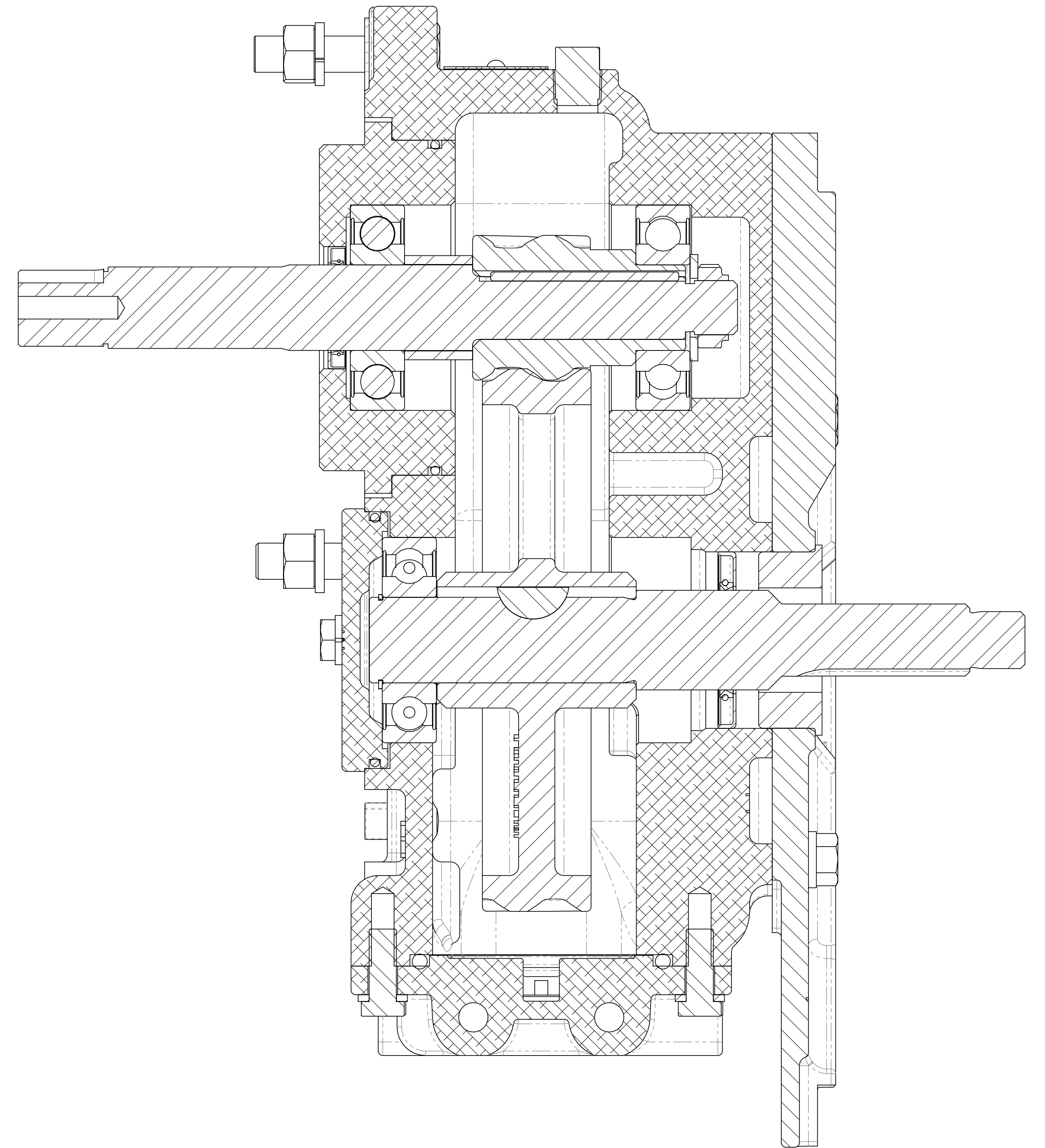
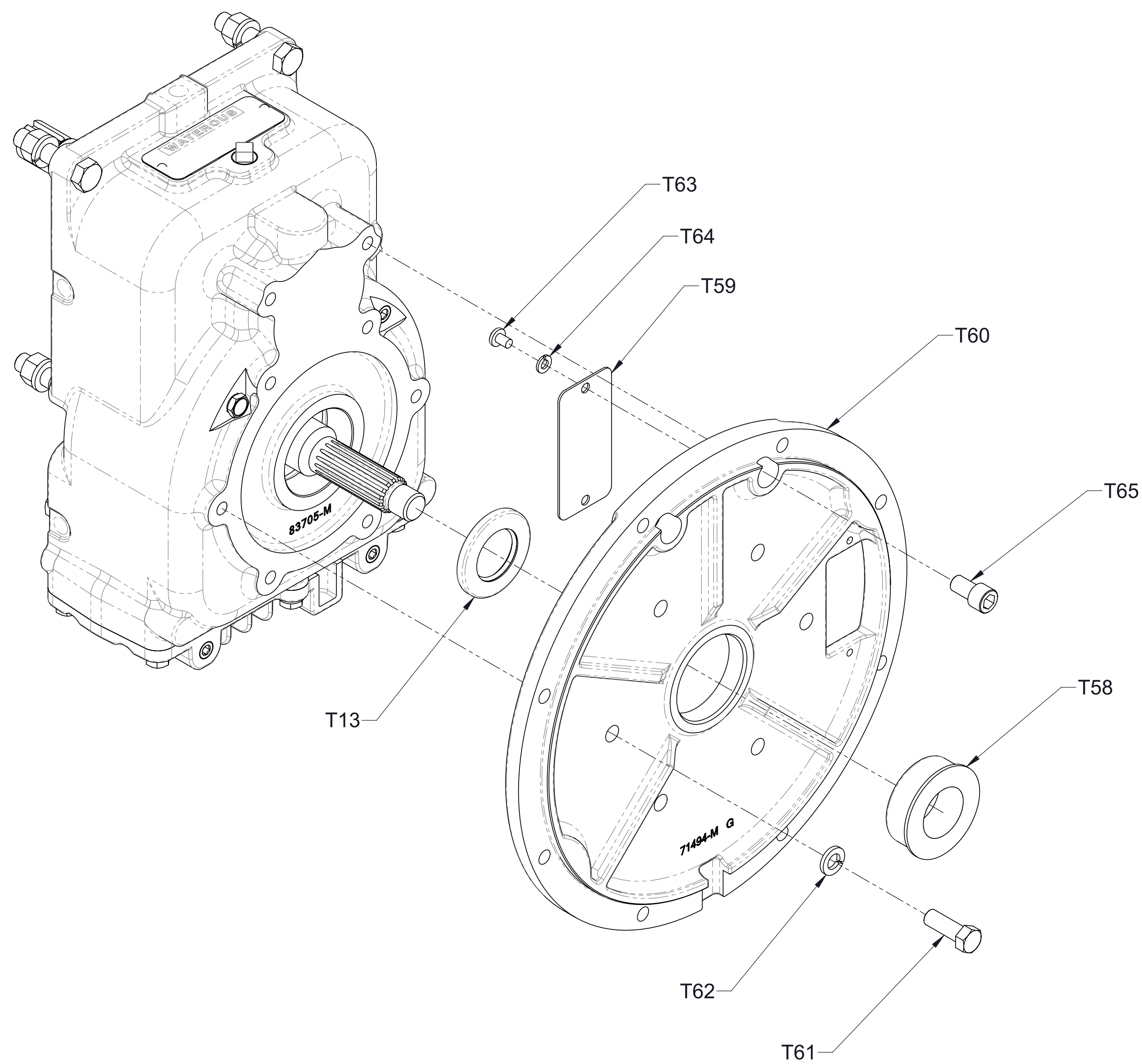
**Transmission Assembly  
SAE - 3 Bellhousing Adapter**



Ref No.	Description
T13	Used with 1in-15 Spline: Seal-Oil, 1-3/8 x 2-7/16 in Used with 1-1/2-10 SAE Spline: Seal-Oil, 1-5/8 x 2-7/16 in
T58	Bushing-Bellhousing Adapter
T59	Cover-Access Port
T60	Adapter-Bellhousing, SAE 4
T61	Screw-Hex Hd, 7/16-14 x 1-1/4 in
T62	Washer-Lock, 7/16 in
T63	Screw-Machine, Pan Hd, 1/4-20 x 3/8 in
T64	Washer-Lock, 1/4 in



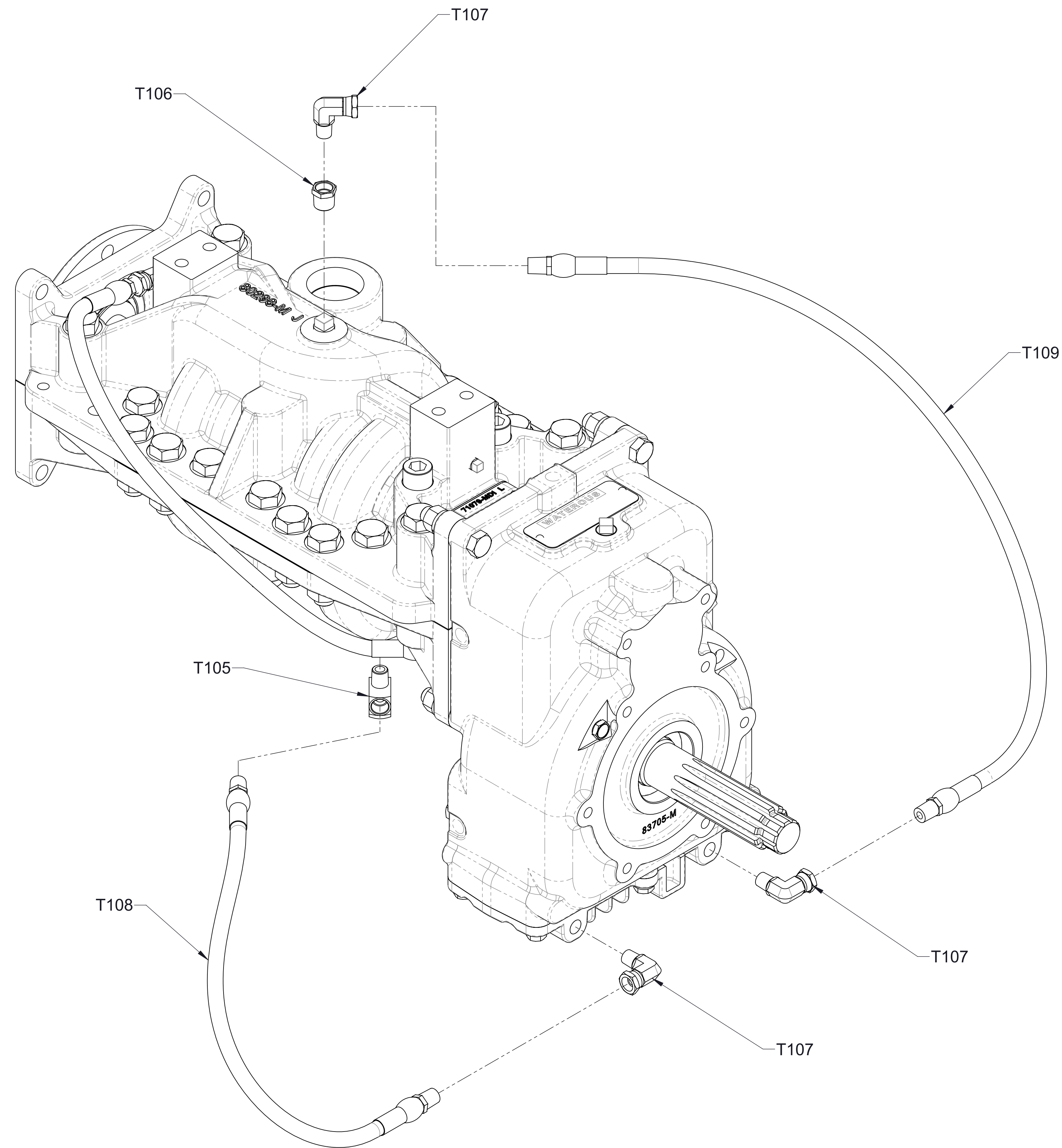
Ref No.	Description
T13	Seal-Oil, 1-3/8 x 2-7/16 in
T58	Bushing-Bellhousing Adapter
T59	Cover-Access Port
T60	Adapter-Bellhousing, SAE 5
T61	Screw-Hex Hd, 7/16-14 x 1-1/4 in
T62	Washer-Lock, 7/16 in
T63	Screw-Machine, Pan Hd, 1/4-20 x 3/8 in
T64	Washer-Lock, 1/4 in
T65	Screw-Cap, Hex Soc Hd, 7/16-14 x 3/4 in



**Transmission Assembly  
SAE - 5 Bellhousing Adapter**



Ref No.	Description
T105	Tee-Street, 1/4 NPT
T106	Bushing-Reducing, Pipe, 3/8 x 1/4 NPT
T107	Elbow-Adapter, Union, 90deg, 1/4 NPT
T108	Hose, High Pressure, 1/4 NPT x 23 in
T109	Hose, High Pressure, 1/4 NPT x 31 in

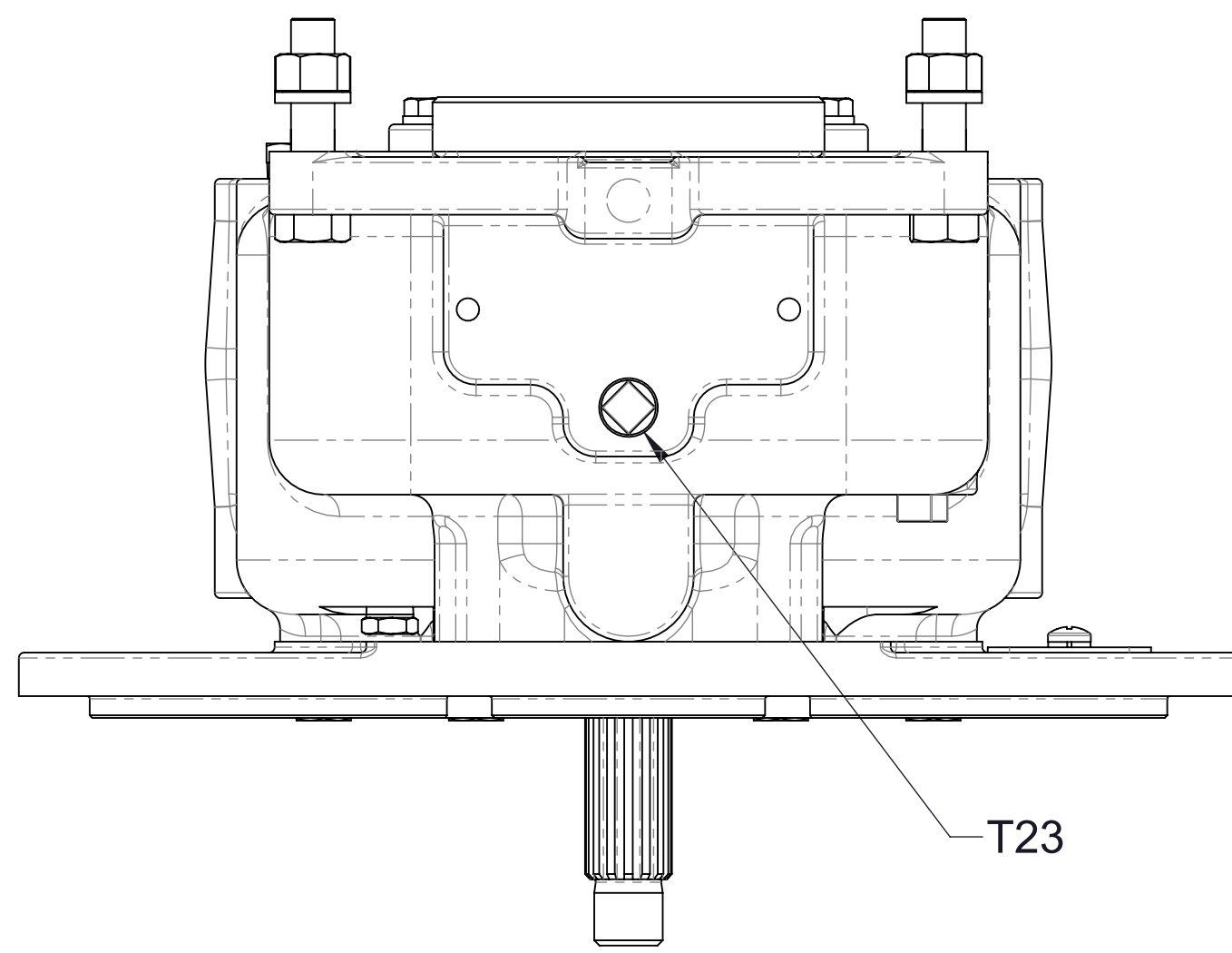


Note:  
 1. Route hoses so they drain through the transmission or pump. Draining is not required when pump is mounted with a horizontal or inverted discharge

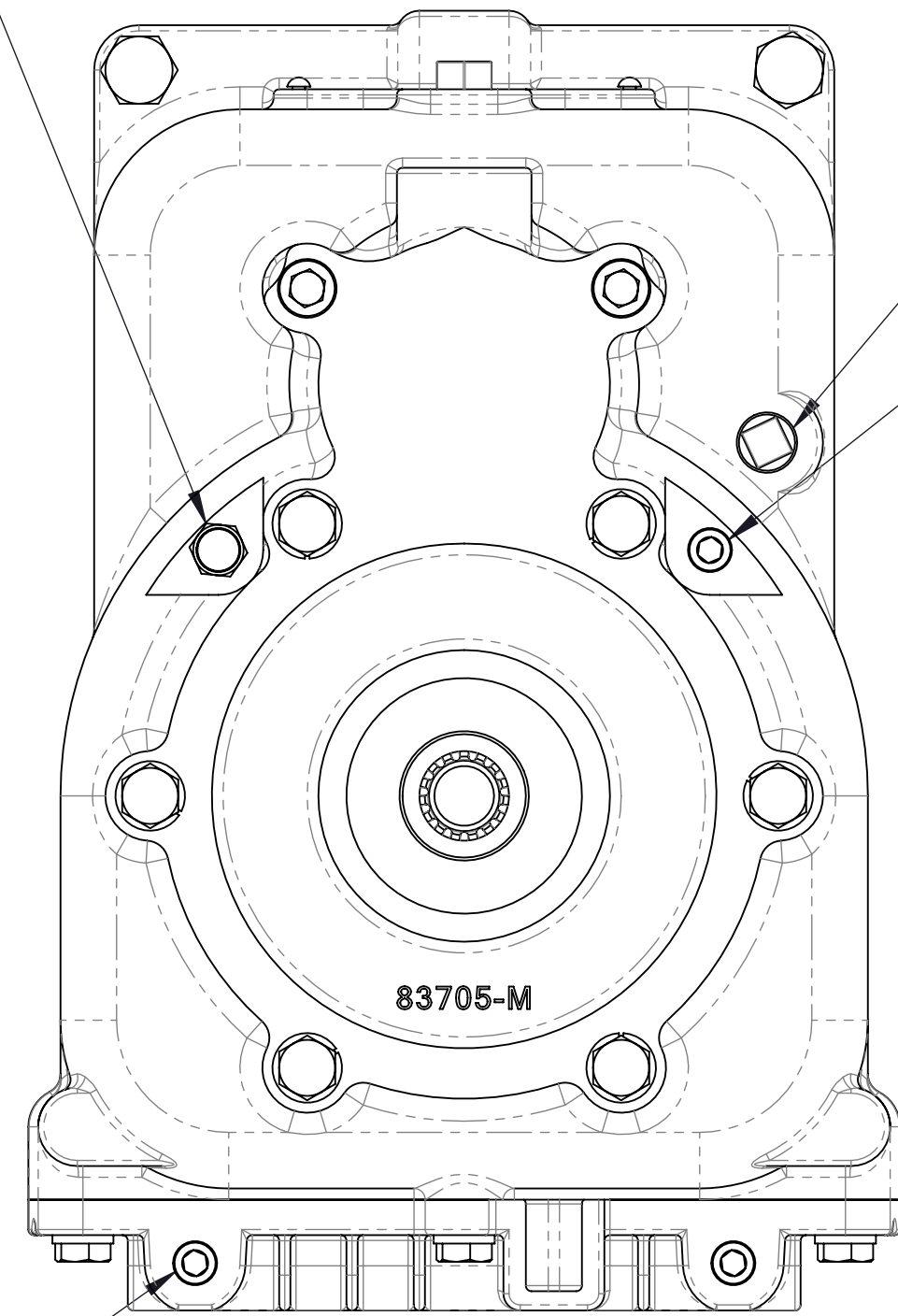
**Oil Cooler Lines and Fittings  
 CP-4 Only**



Ref No.	Description
T20	Breather, 1/4 NPT
T21	Plug-Level, Oil, 3/8
T22	Plug-Drain, Magnetic, 3/8, Headless
T23	Plug-Pipe, Square Hd, 3/8 NPT
T40	Plug-Pipe, Headless, 1/4 NPT
T42	Plug-Pipe, Headless, 1/4 NPT



T20 (CCW Input Rotation)  
T40 (CW Input Rotation)



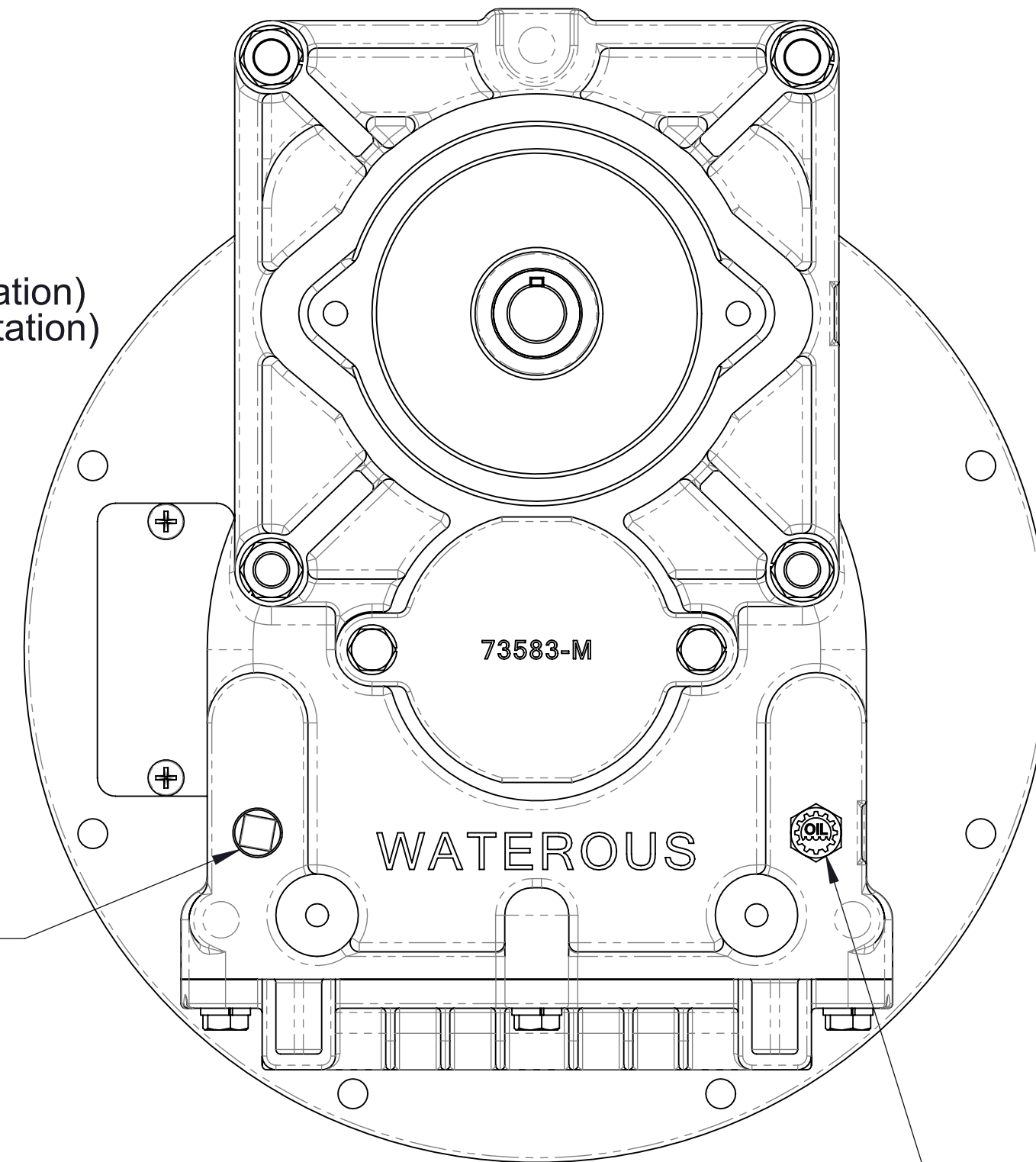
T23

T20 (CW Input Rotation)  
T40 (CCW Input Rotation)

83705-M

T42

Bellhousing adapter removed for clarity

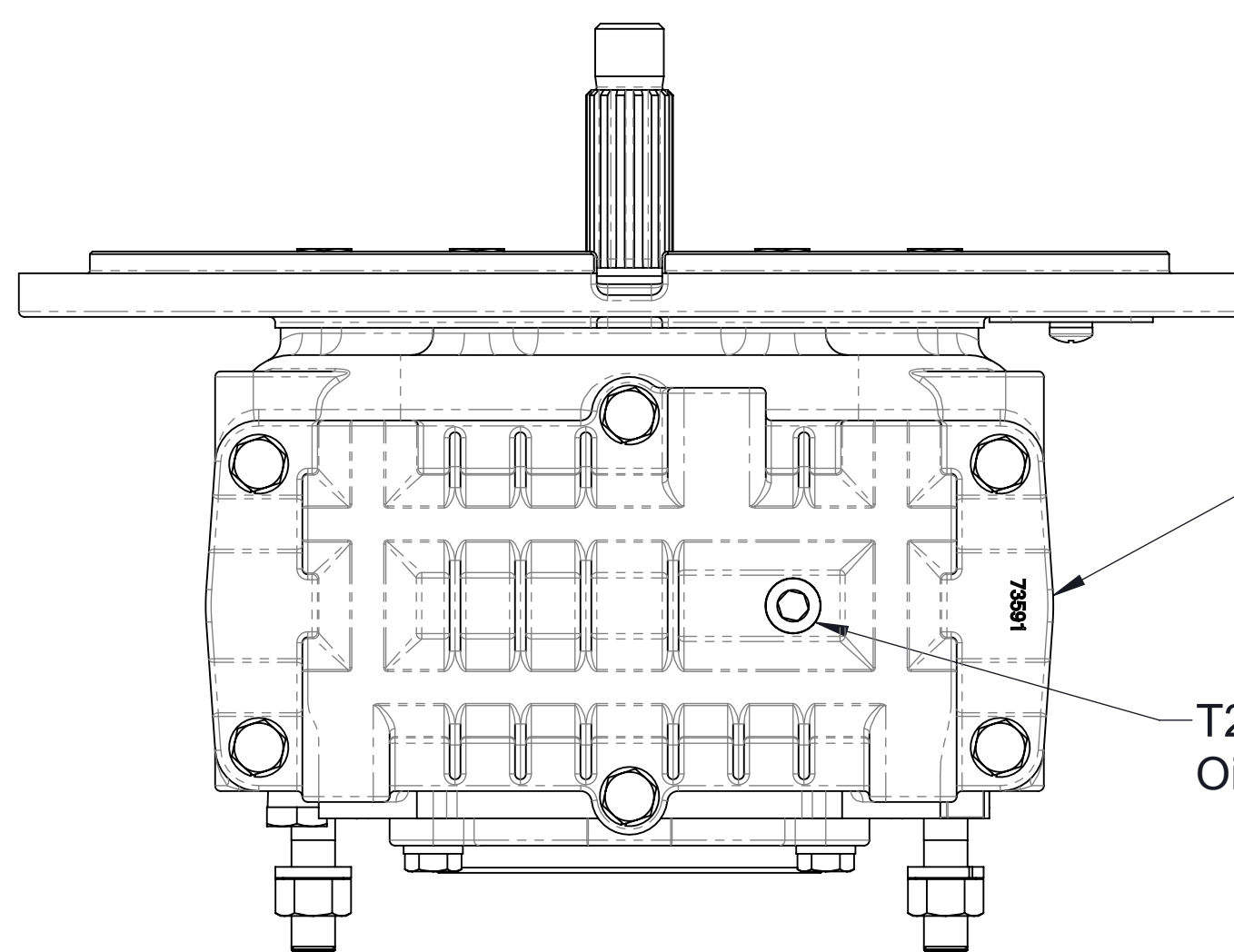


73583-M

WATEROUS

T23

T21  
Oil level



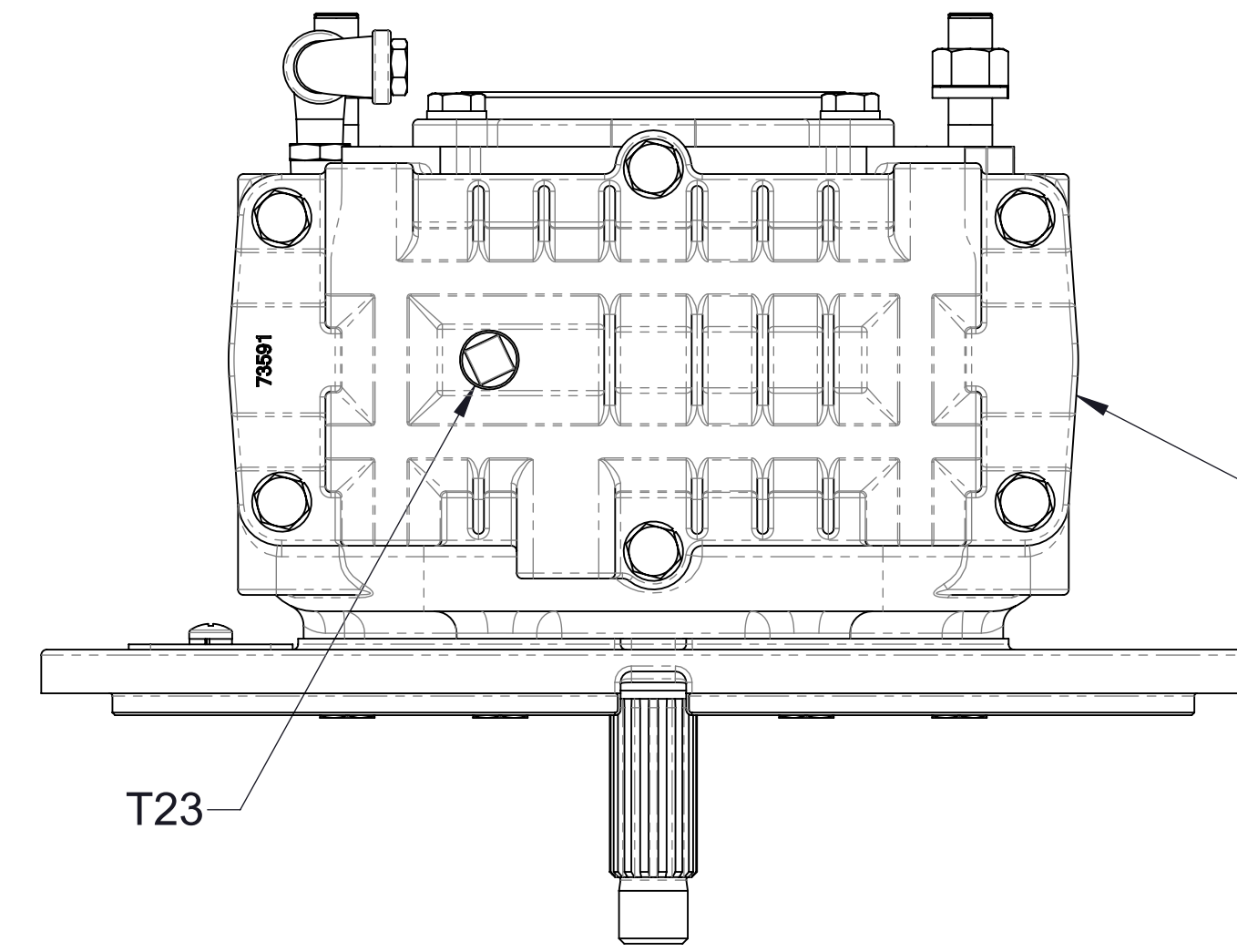
Note transmission  
pan orientation

T22  
Oil drain

**Vertical**

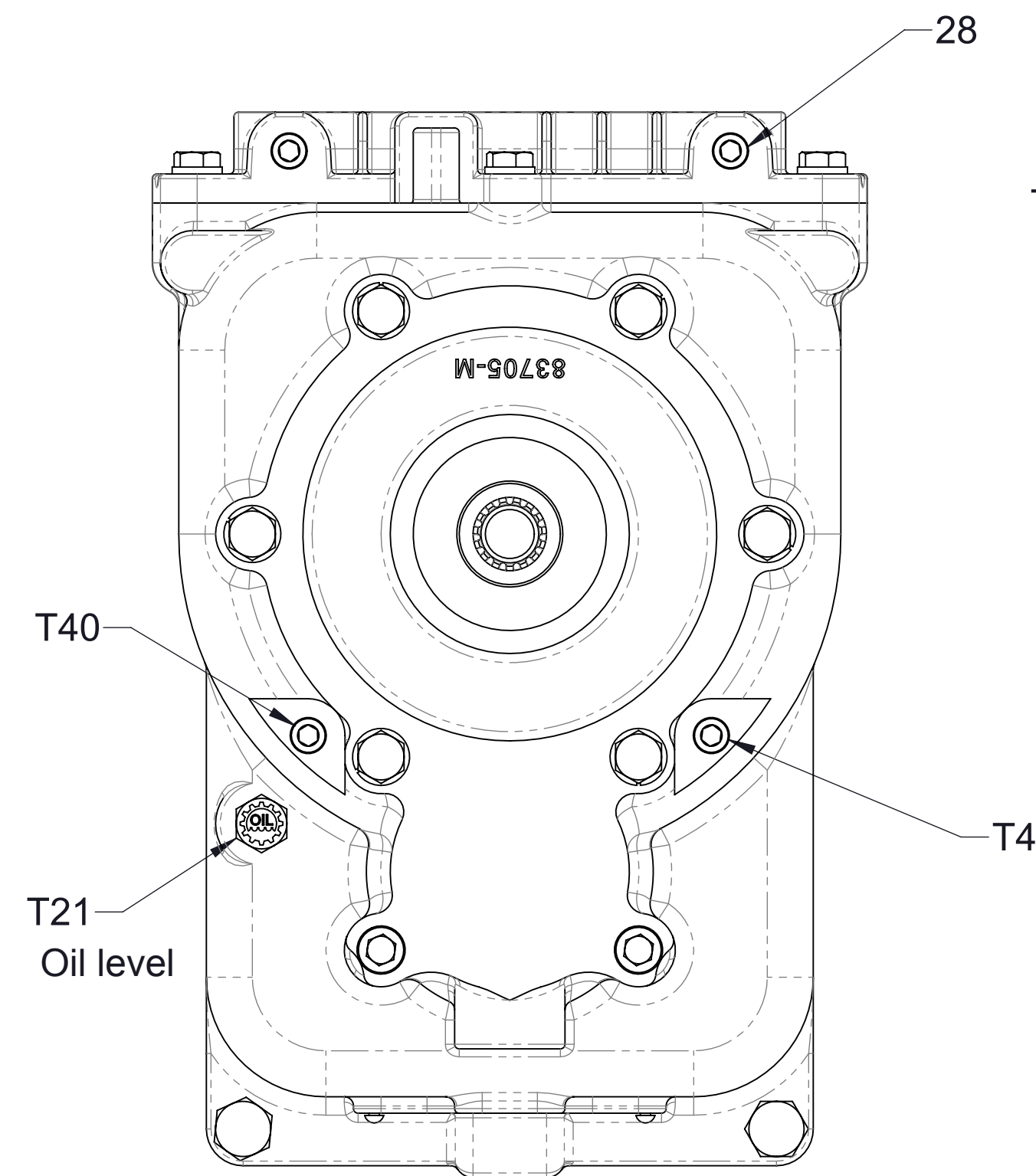
Ref No.	Description
T20	Breather, 1/4 NPT
T21	Plug-Level, Oil, 3/8
T22	Plug-Drain, Magnetic, 3/8, Headless
T23	Plug-Pipe, Square Hd, 3/8 NPT
T40	Plug-Pipe, Headless, 1/4 NPT
T103	Bushing-Reducing, 3/8 MNPT x 1/4 FNPT
T104	Elbow-Street, 90°, 1/4 NPT

Note: Added second elbow after February 15th, 2021.



T23

Note transmission  
pan orientation



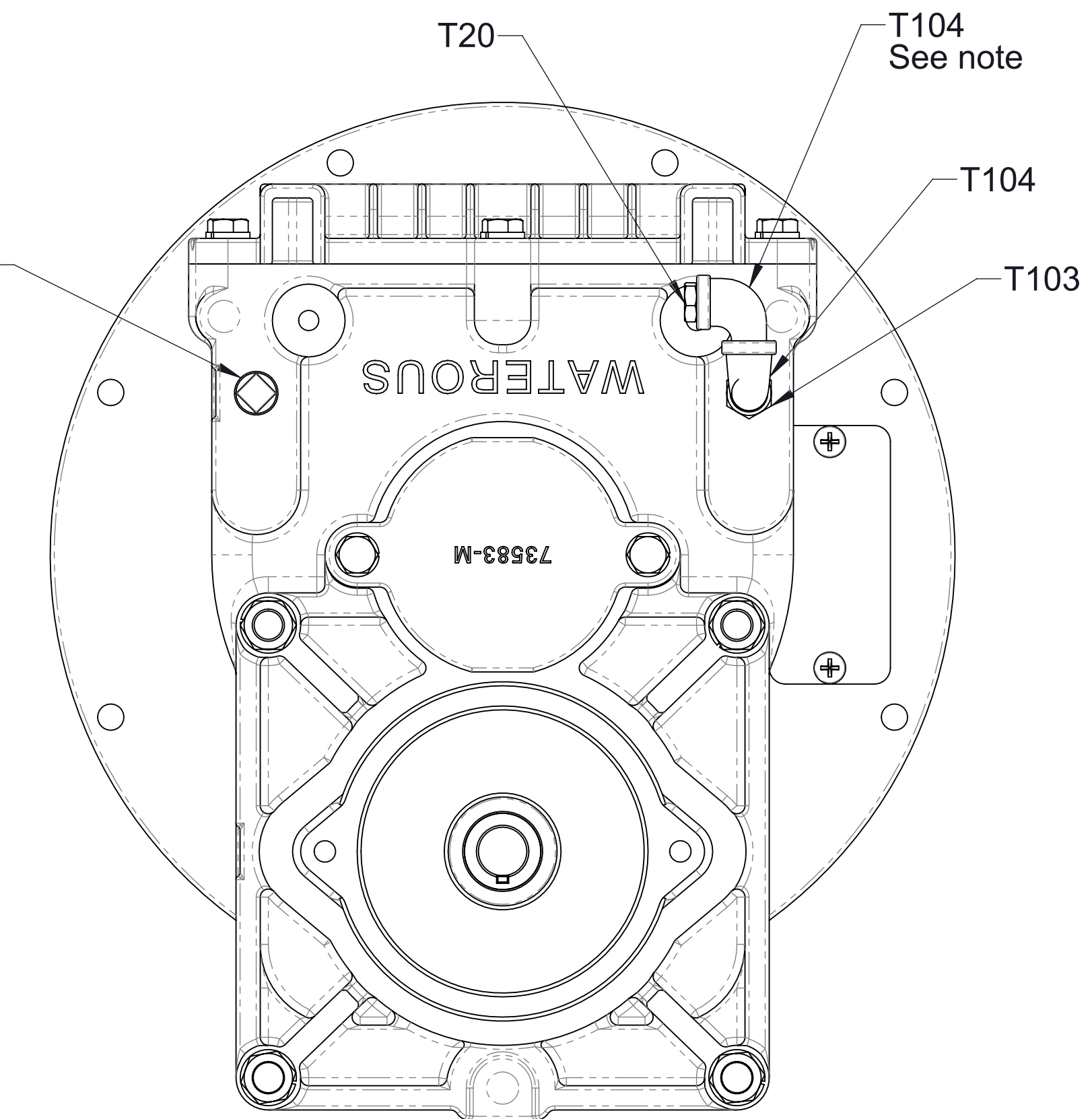
28

T40

T21  
Oil level

T40

Bellhousing adapter removed for clarity



T20

T104  
See note

T104

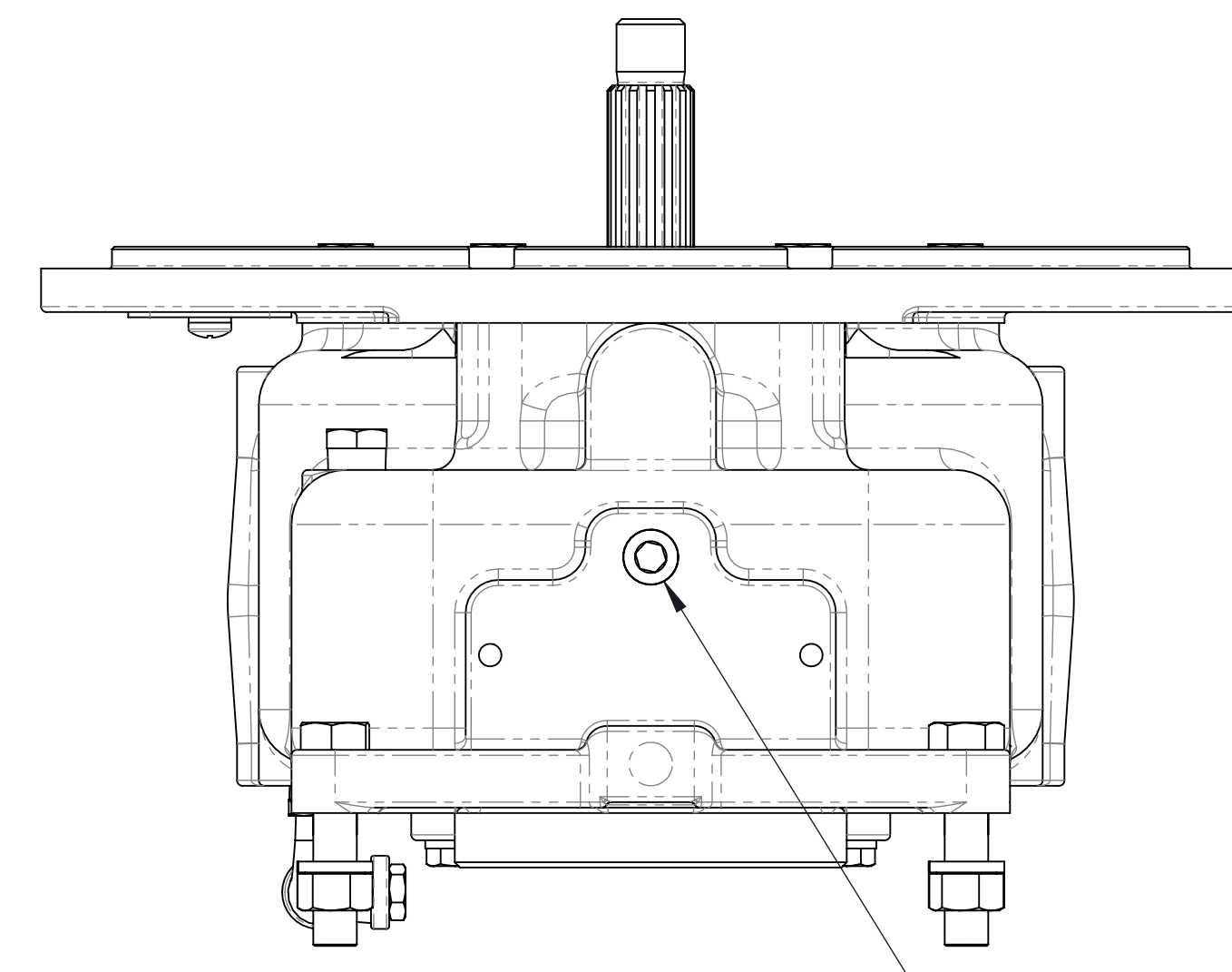
T103

WATEROUS

73583-M

T23

**Inverted**



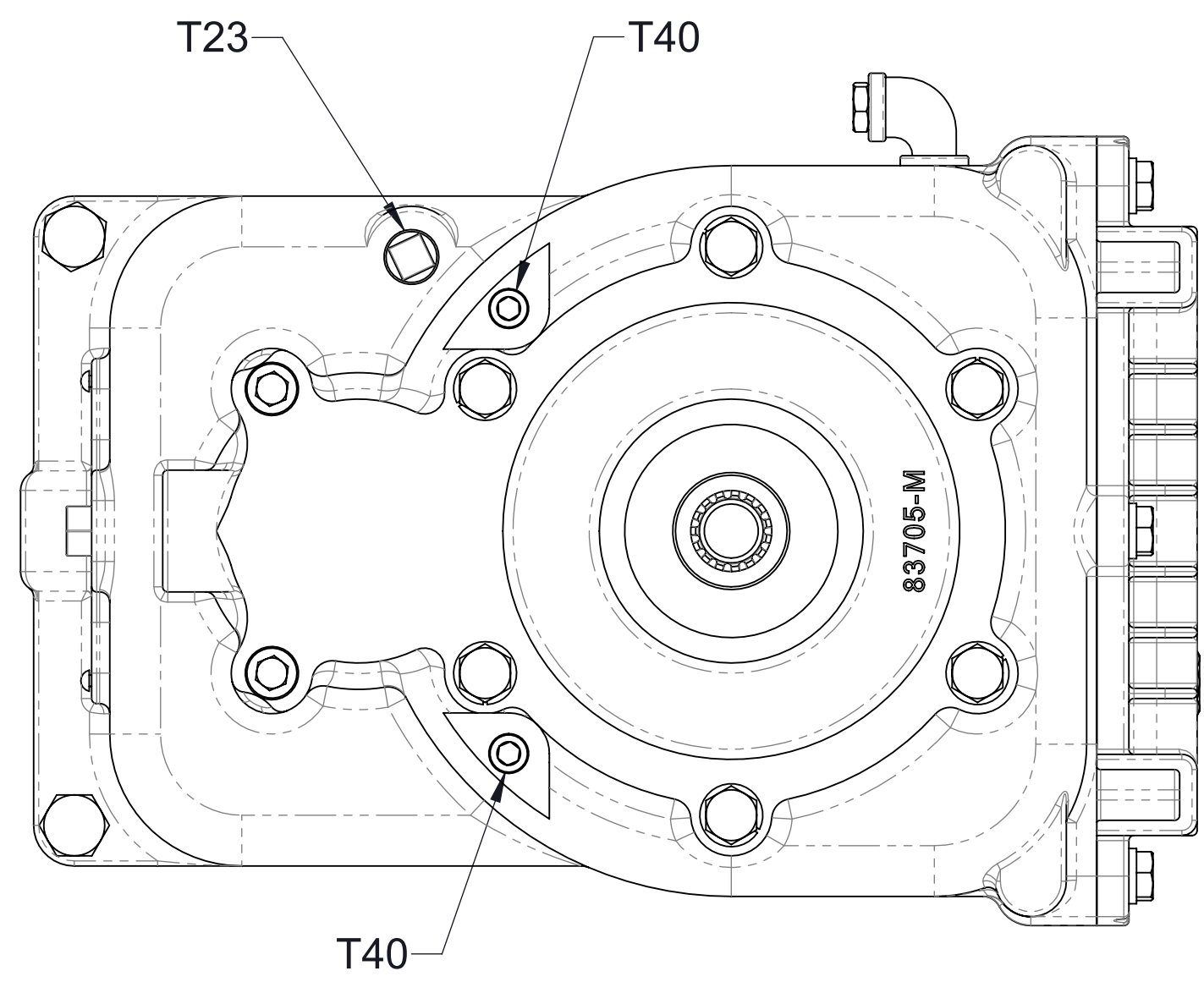
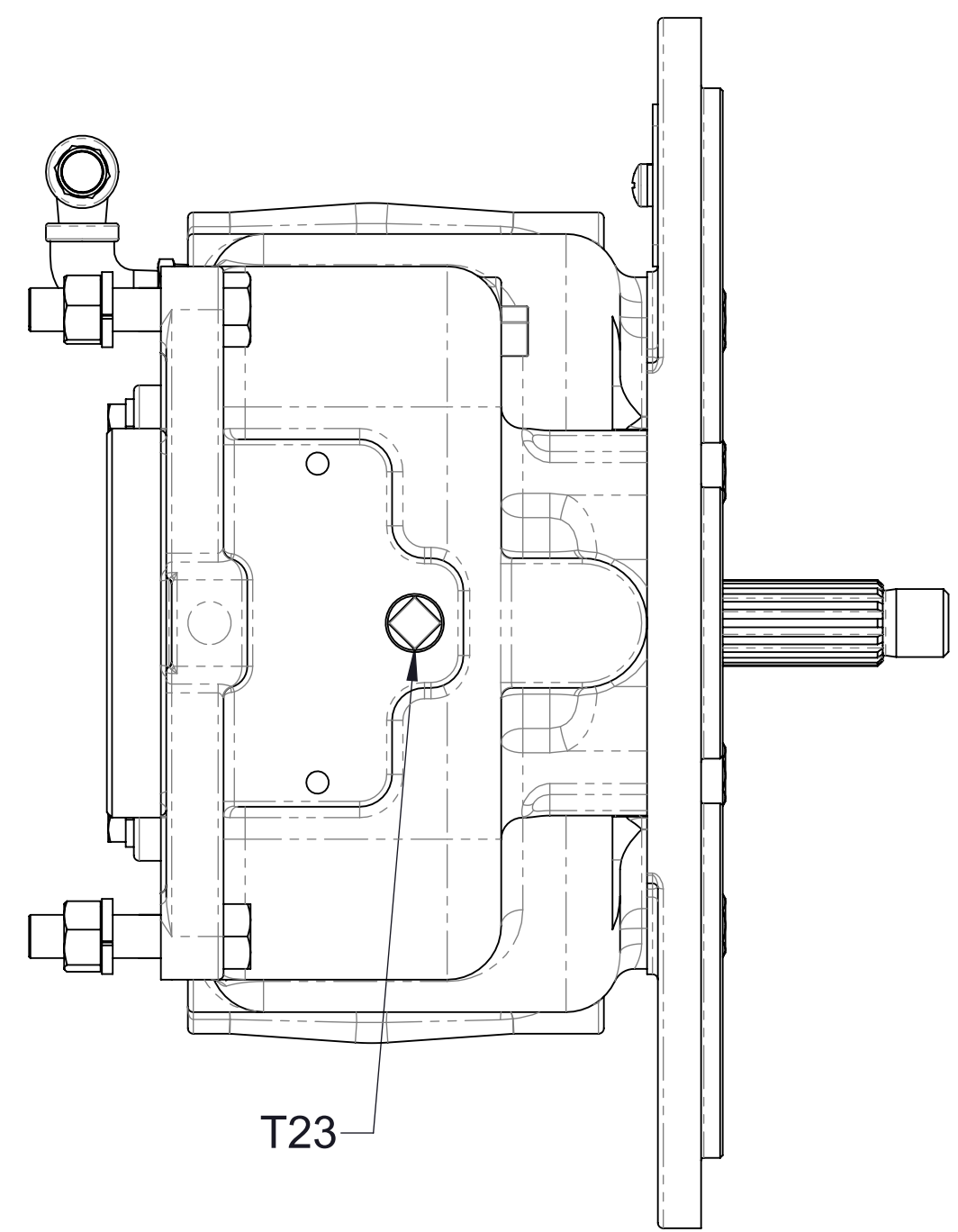
T22  
Oil drain

**Breather, Drain, Oil Level, and Plug Locations  
Vertical and Inverted Mounting Positions**

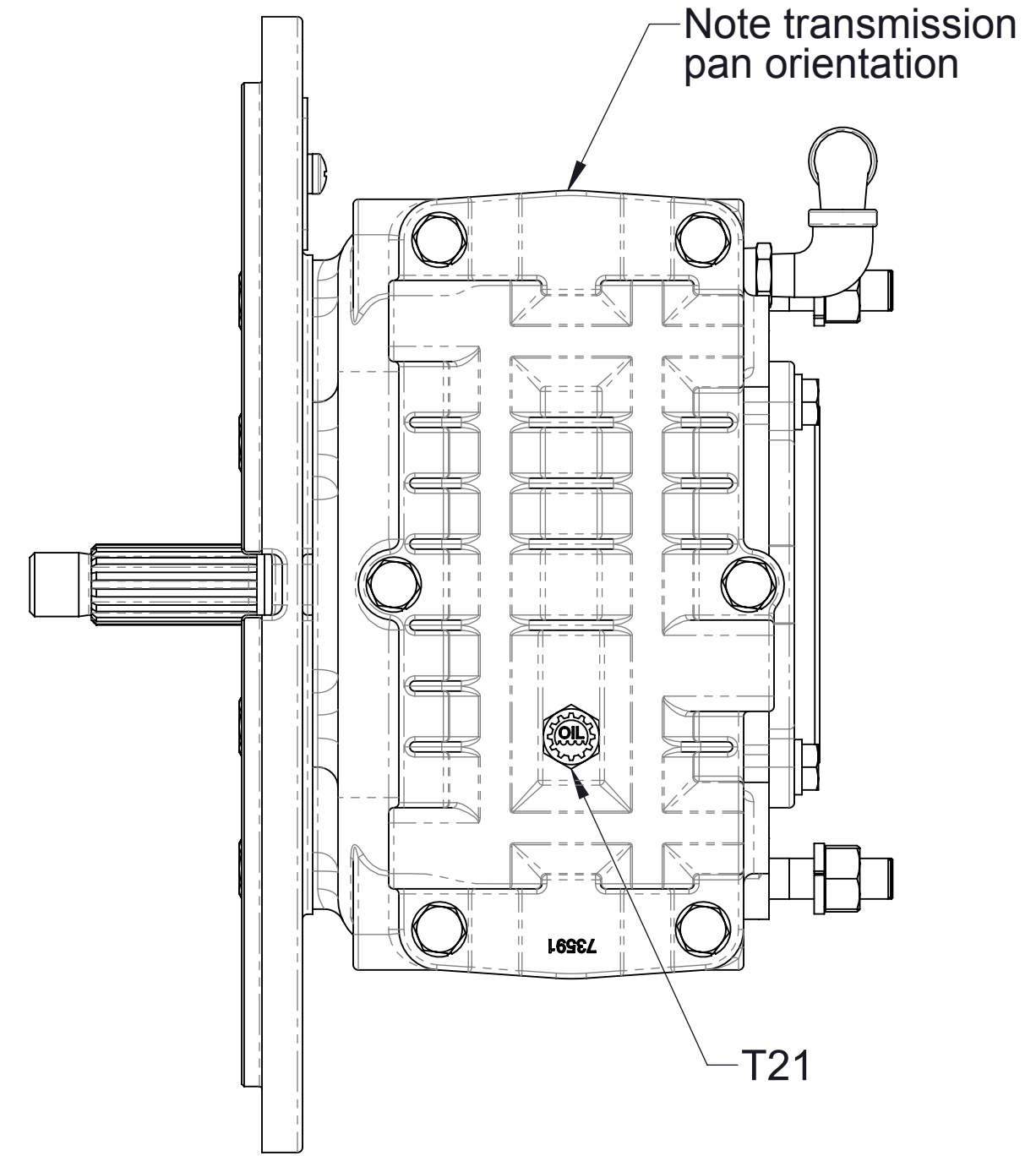


Ref No.	Description
T20	Breather, 1/4 NPT
T21	Plug-Level, Oil, 3/8
T22	Plug-Drain, Magnetic, 3/8, Headless
T23	Plug-Pipe, Square Hd, 3/8 NPT
T40	Plug-Pipe, Headless, 1/4 NPT
T42	Plug-Pipe, Headless, 1/4 NPT
T103	Bushing-Reducing, 3/8 MNPT x 1/4 FNPT
T104	Elbow-Street, 90°, 1/4 NPT

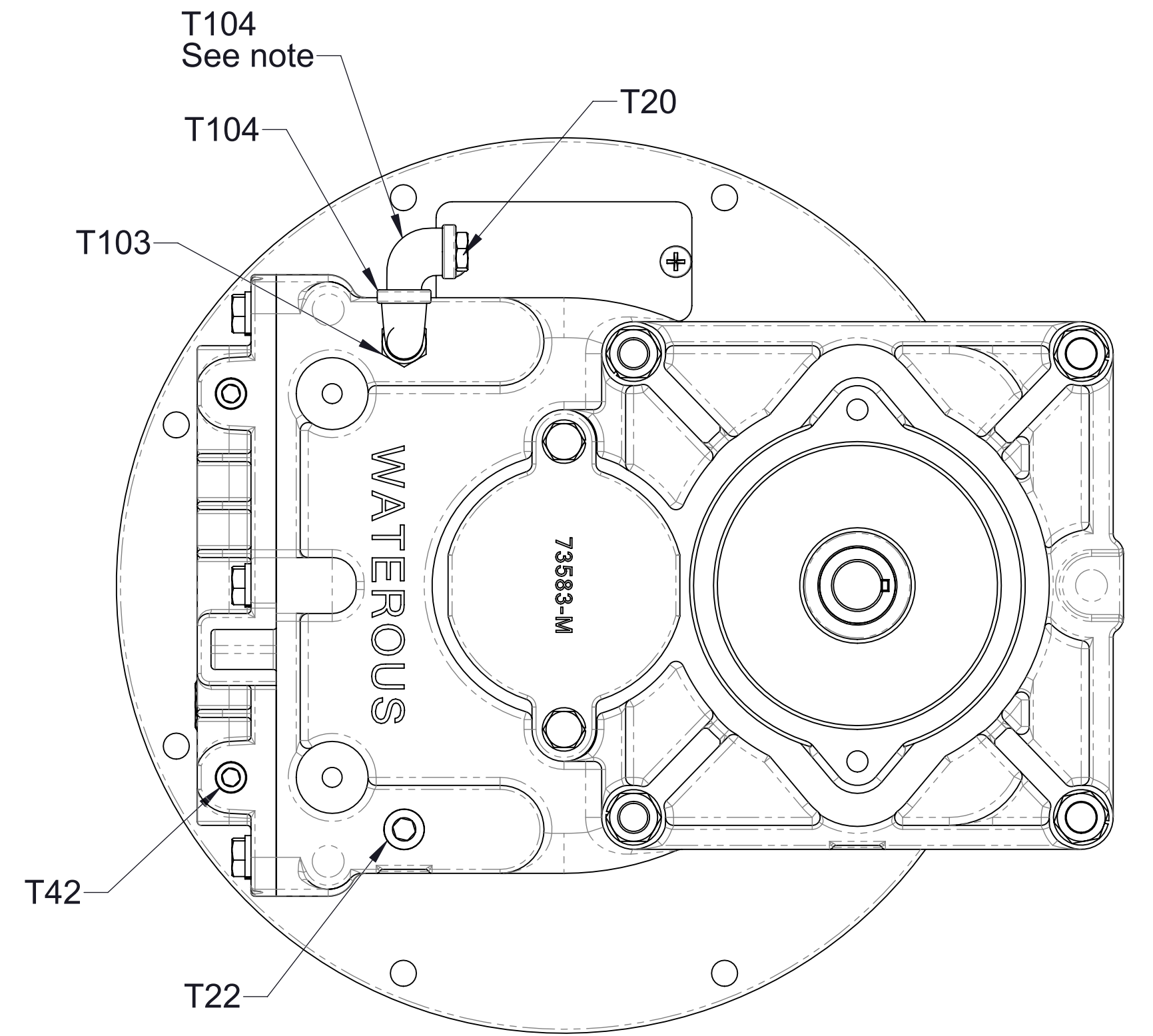
Note: Added second elbow after February 15th, 2021.



Bellhousing adapter removed for clarity

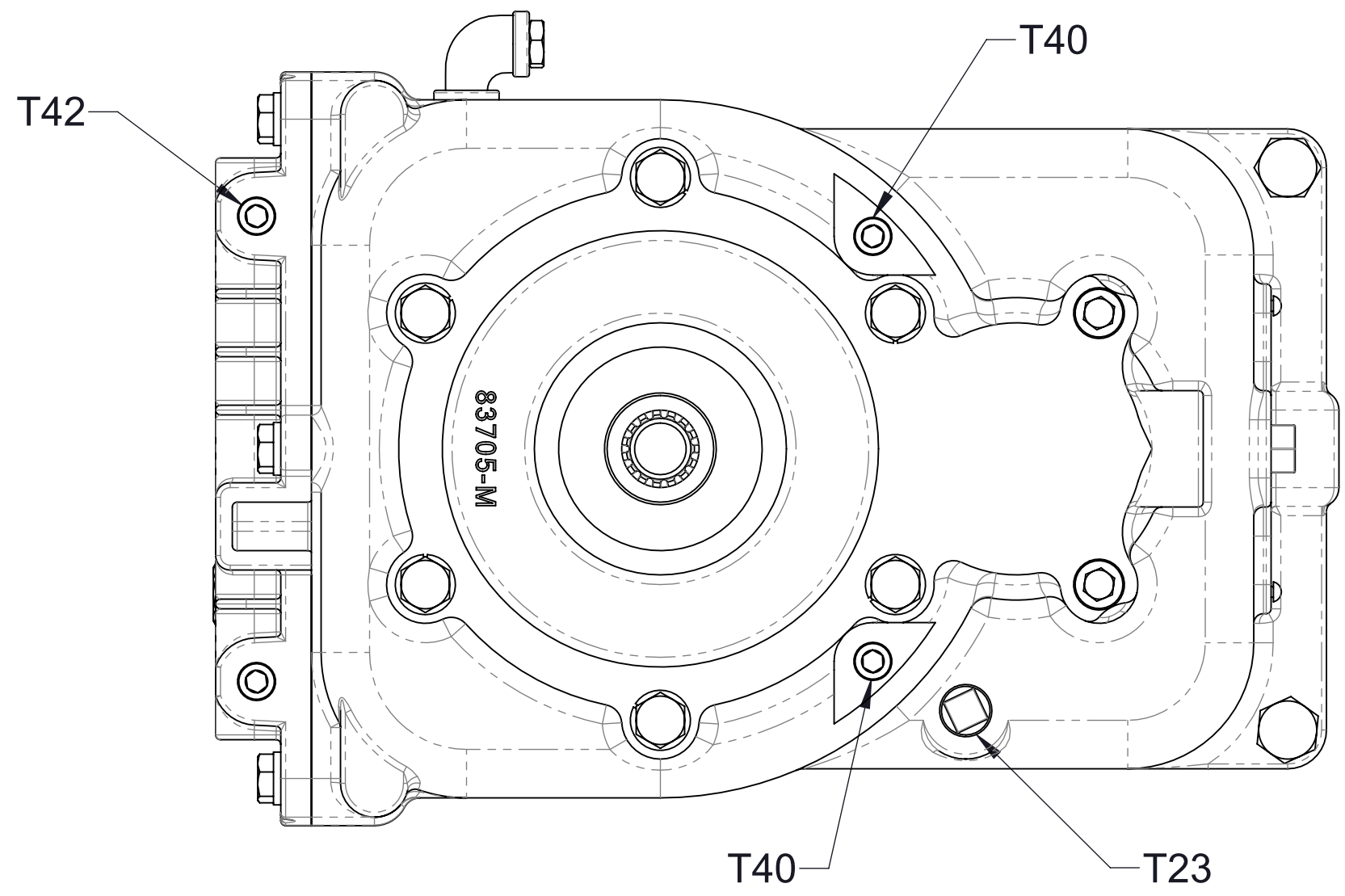
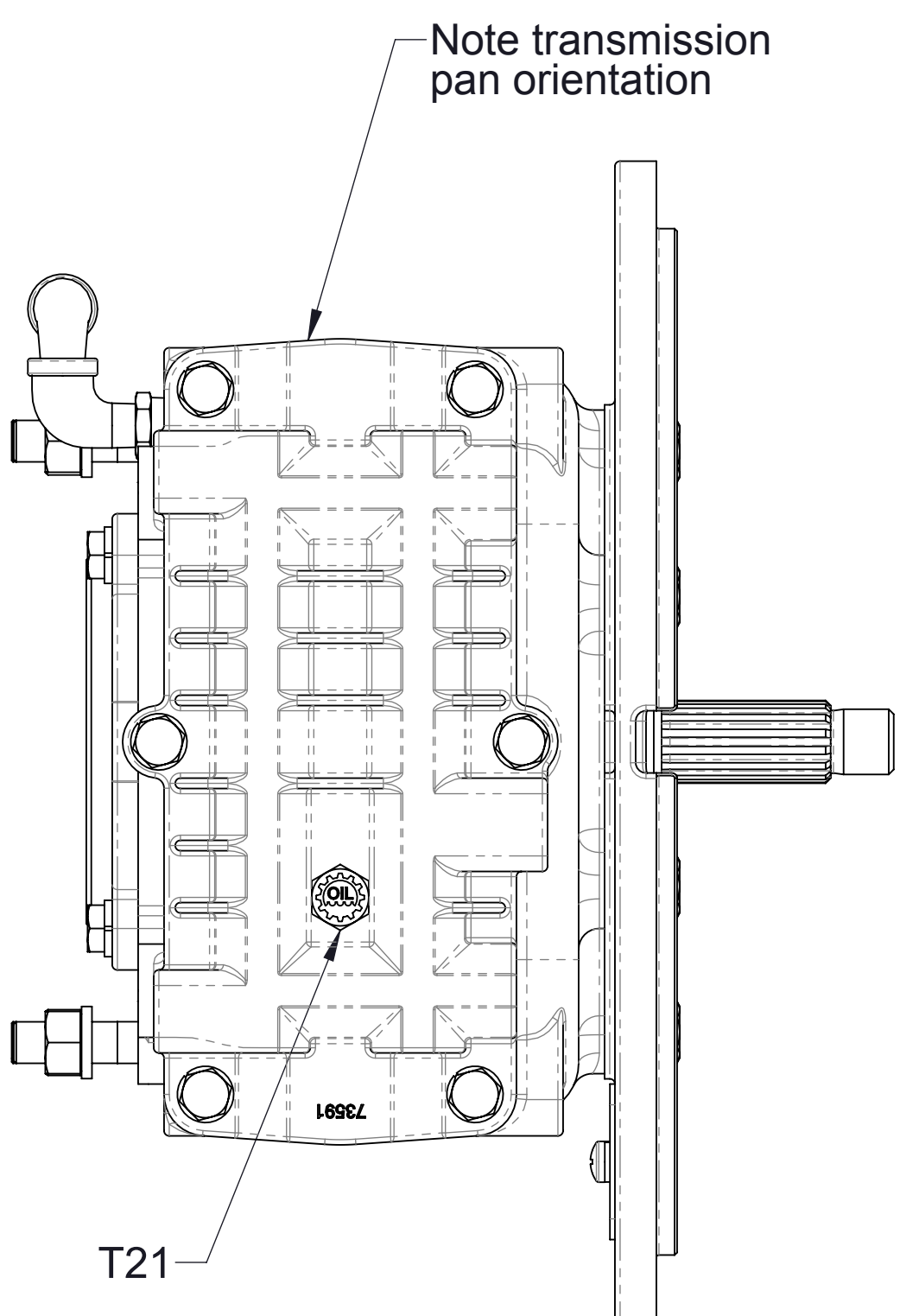


Right

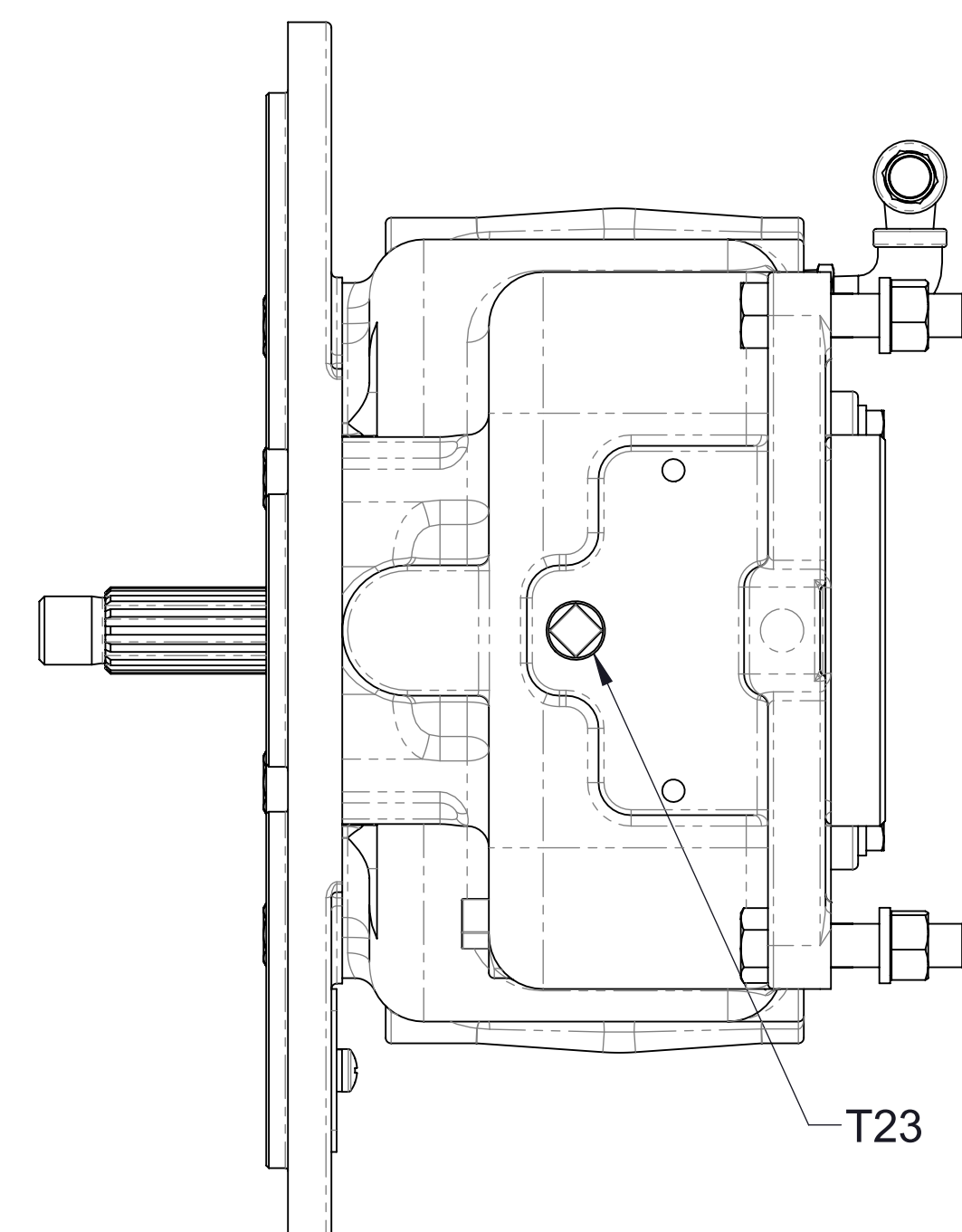


Ref No.	Description
T20	Breather, 1/4 NPT
T21	Plug-Level, Oil, 3/8
T22	Plug-Drain, Magnetic, 3/8, Headless
T23	Plug-Pipe, Square Hd, 3/8 NPT
T40	Plug-Pipe, Headless, 1/4 NPT
T42	Plug-Pipe, Headless, 1/4 NPT
T103	Bushing-Reducing, 3/8 MNPT x 1/4 FNPT
T104	Elbow-Street, 90°, 1/4 NPT

Note: Added second elbow after February 15th, 2021.



Bellhousing adapter removed for clarity



Left

