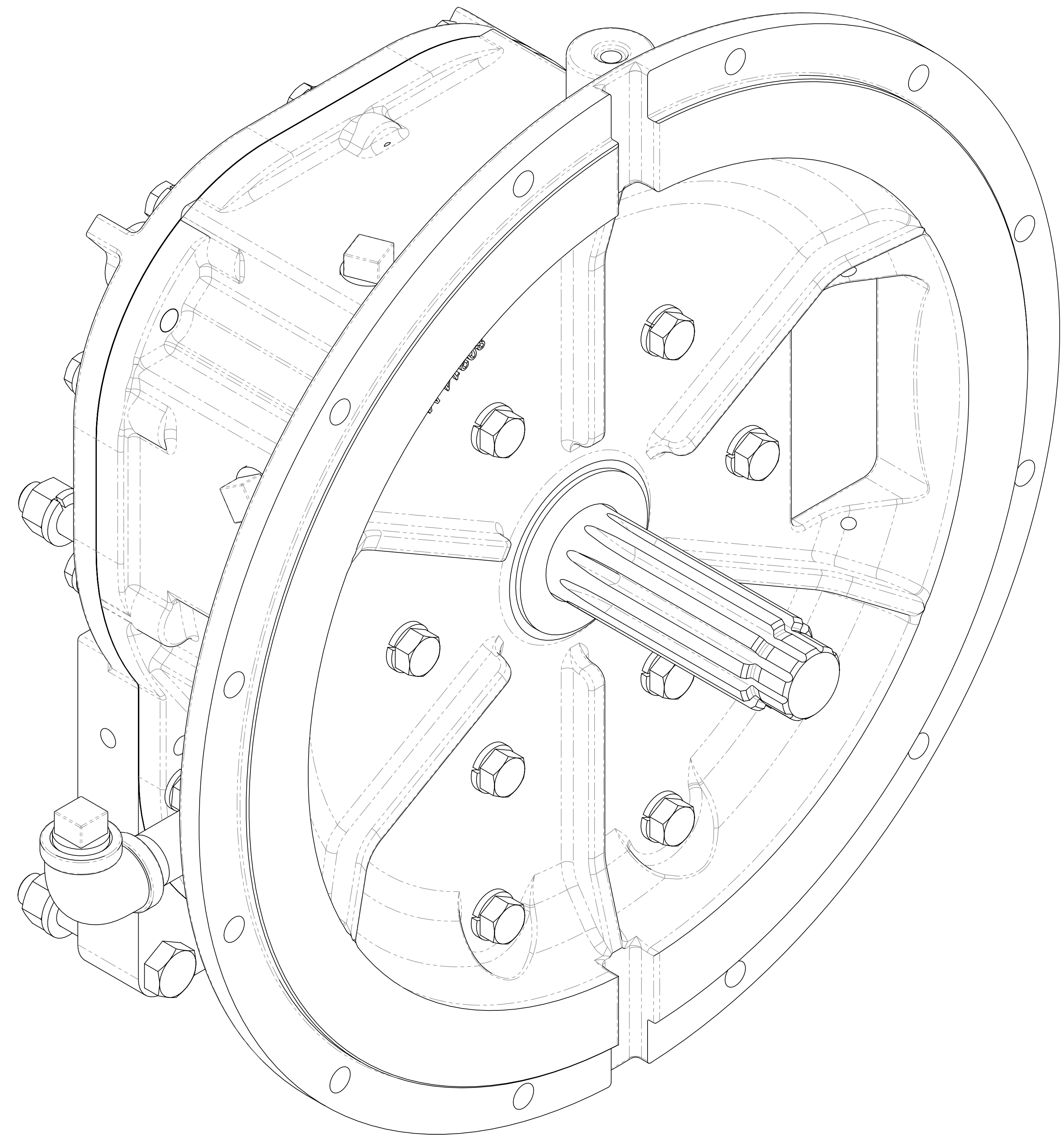
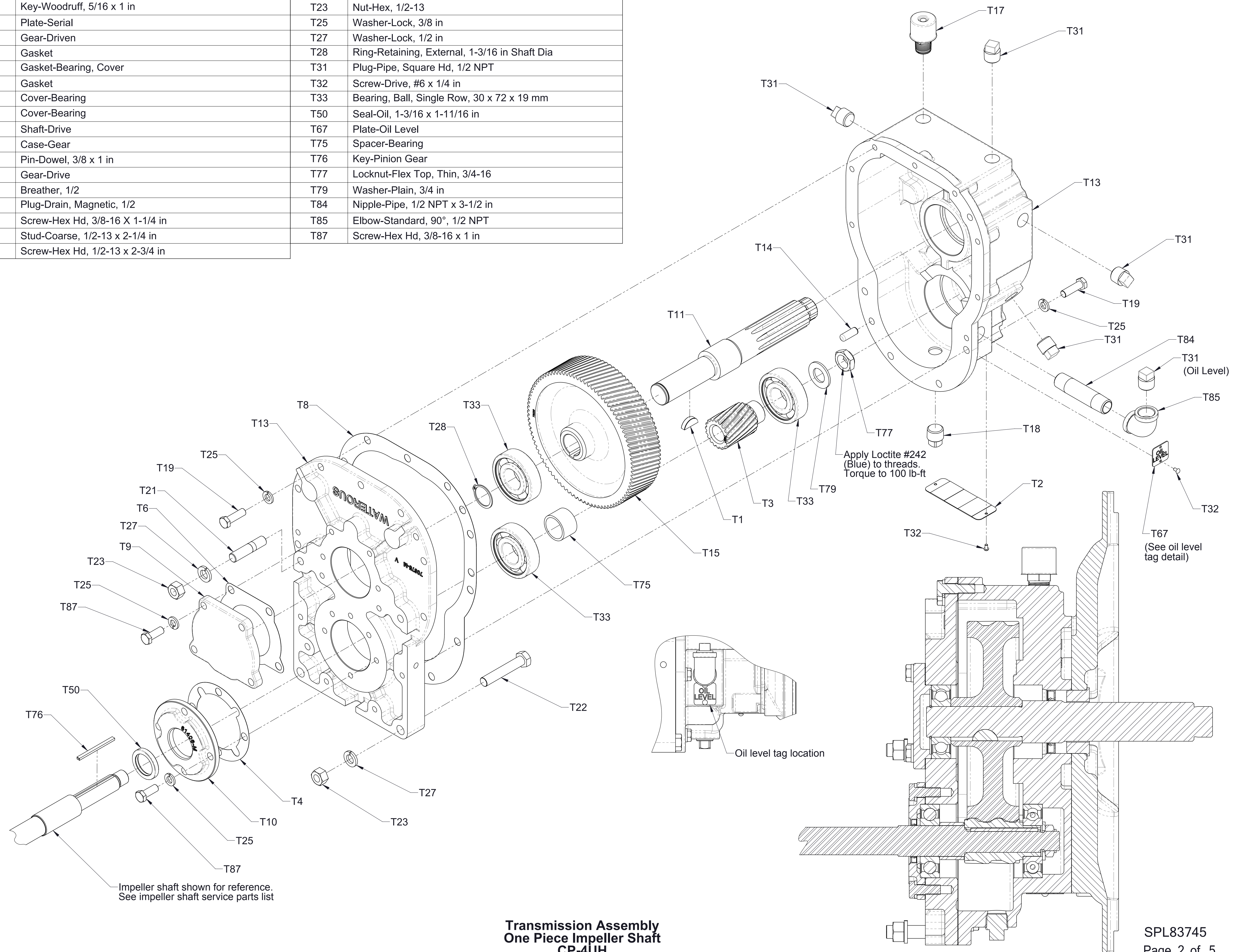


Medium Duty T Transmission Assy (Iron) 83745

Pump Model	Impeller Shaft Type	Input Shaft Type	See Sheet
CP-4UH	One-Piece	1-1/2-10 SAE Spline	2
		1 in.-15T Involute Spline	
	Bellhousing Adapter -- SAE 3		3
	Bellhousing Adapter -- SAE 4		4
	Bellhousing Adapter -- SAE 5		5

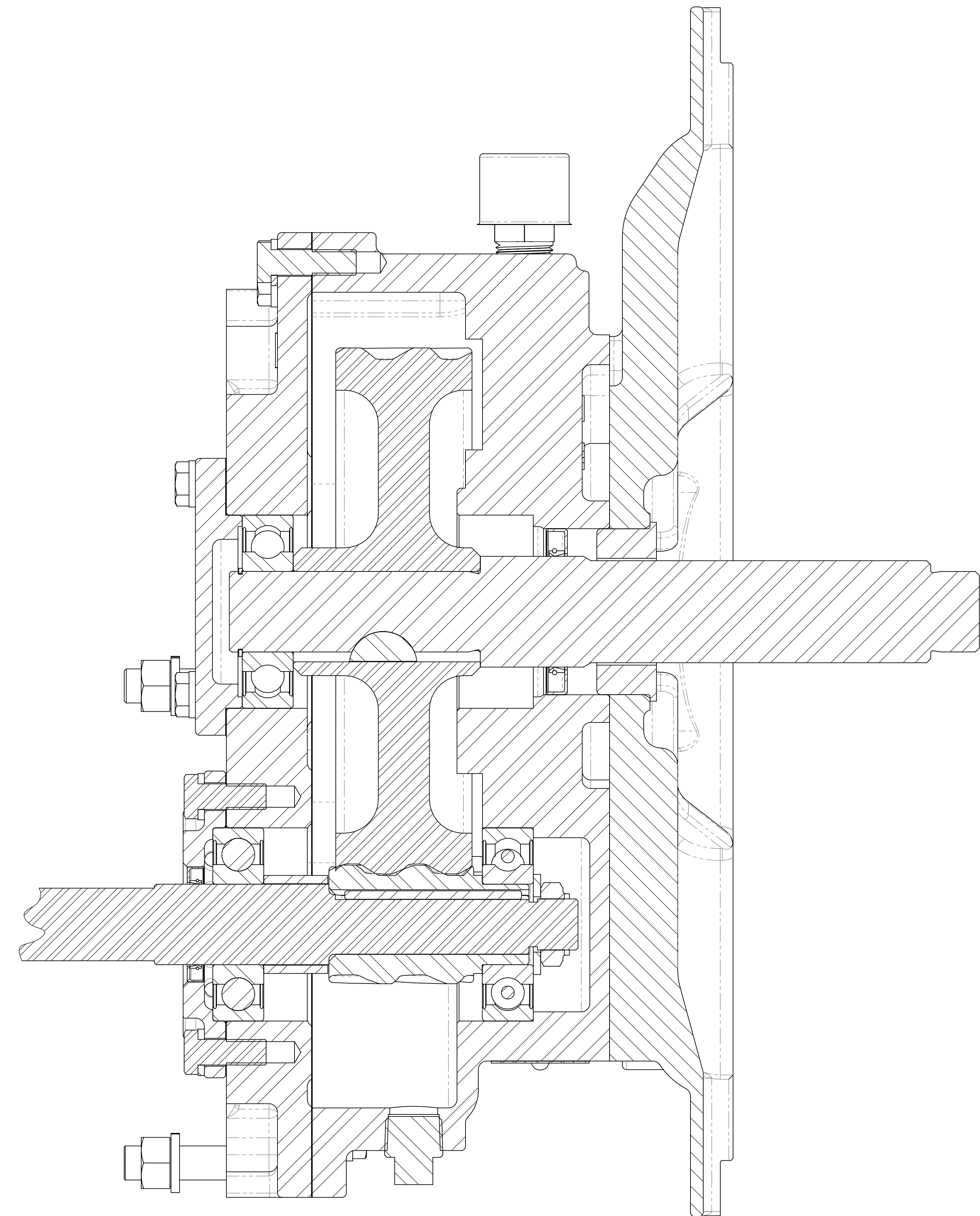
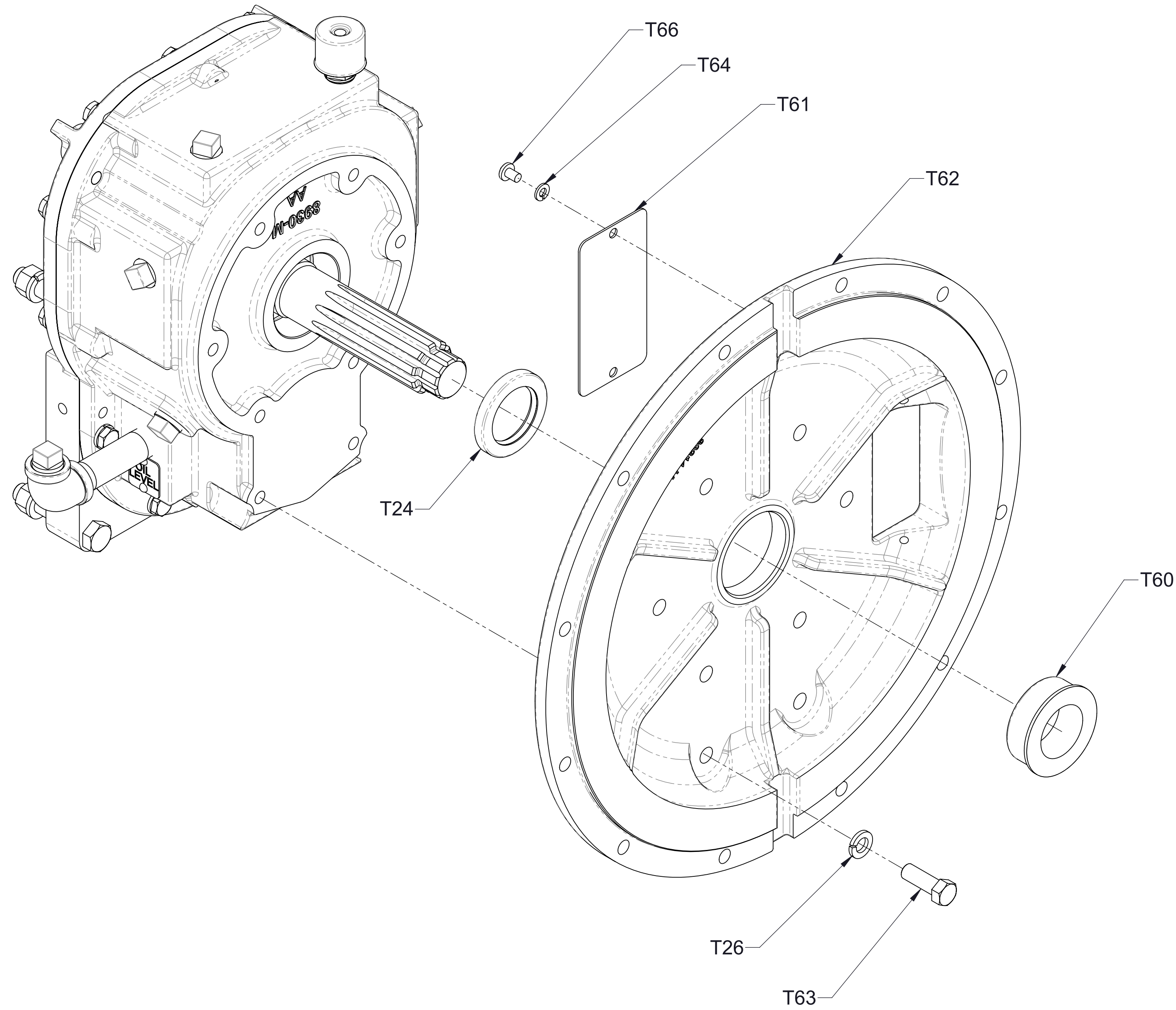


Ref No.	Description	Ref No.	Description
T1	Key-Woodruff, 5/16 x 1 in	T23	Nut-Hex, 1/2-13
T2	Plate-Serial	T25	Washer-Lock, 3/8 in
T3	Gear-Driven	T27	Washer-Lock, 1/2 in
T4	Gasket	T28	Ring-Retaining, External, 1-3/16 in Shaft Dia
T6	Gasket-Bearing, Cover	T31	Plug-Pipe, Square Hd, 1/2 NPT
T8	Gasket	T32	Screw-Drive, #6 x 1/4 in
T9	Cover-Bearing	T33	Bearing, Ball, Single Row, 30 x 72 x 19 mm
T10	Cover-Bearing	T50	Seal-Oil, 1-3/16 x 1-11/16 in
T11	Shaft-Drive	T67	Plate-Oil Level
T13	Case-Gear	T75	Spacer-Bearing
T14	Pin-Dowel, 3/8 x 1 in	T76	Key-Pinion Gear
T15	Gear-Drive	T77	Locknut-Flex Top, Thin, 3/4-16
T17	Breather, 1/2	T79	Washer-Plain, 3/4 in
T18	Plug-Drain, Magnetic, 1/2	T84	Nipple-Pipe, 1/2 NPT x 3-1/2 in
T19	Screw-Hex Hd, 3/8-16 X 1-1/4 in	T85	Elbow-Standard, 90°, 1/2 NPT
T21	Stud-Coarse, 1/2-13 x 2-1/4 in	T87	Screw-Hex Hd, 3/8-16 x 1 in
T22	Screw-Hex Hd, 1/2-13 x 2-3/4 in		

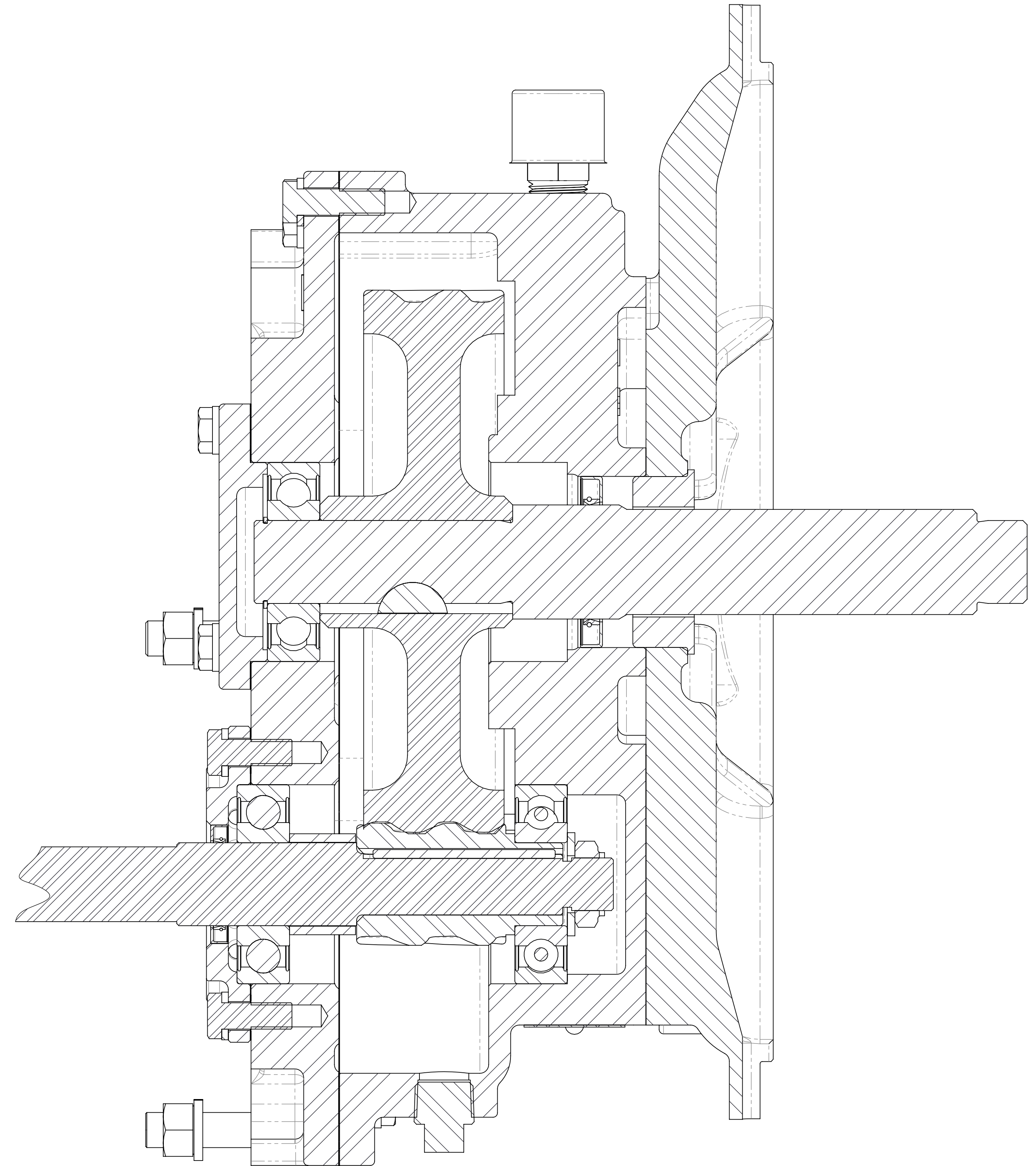
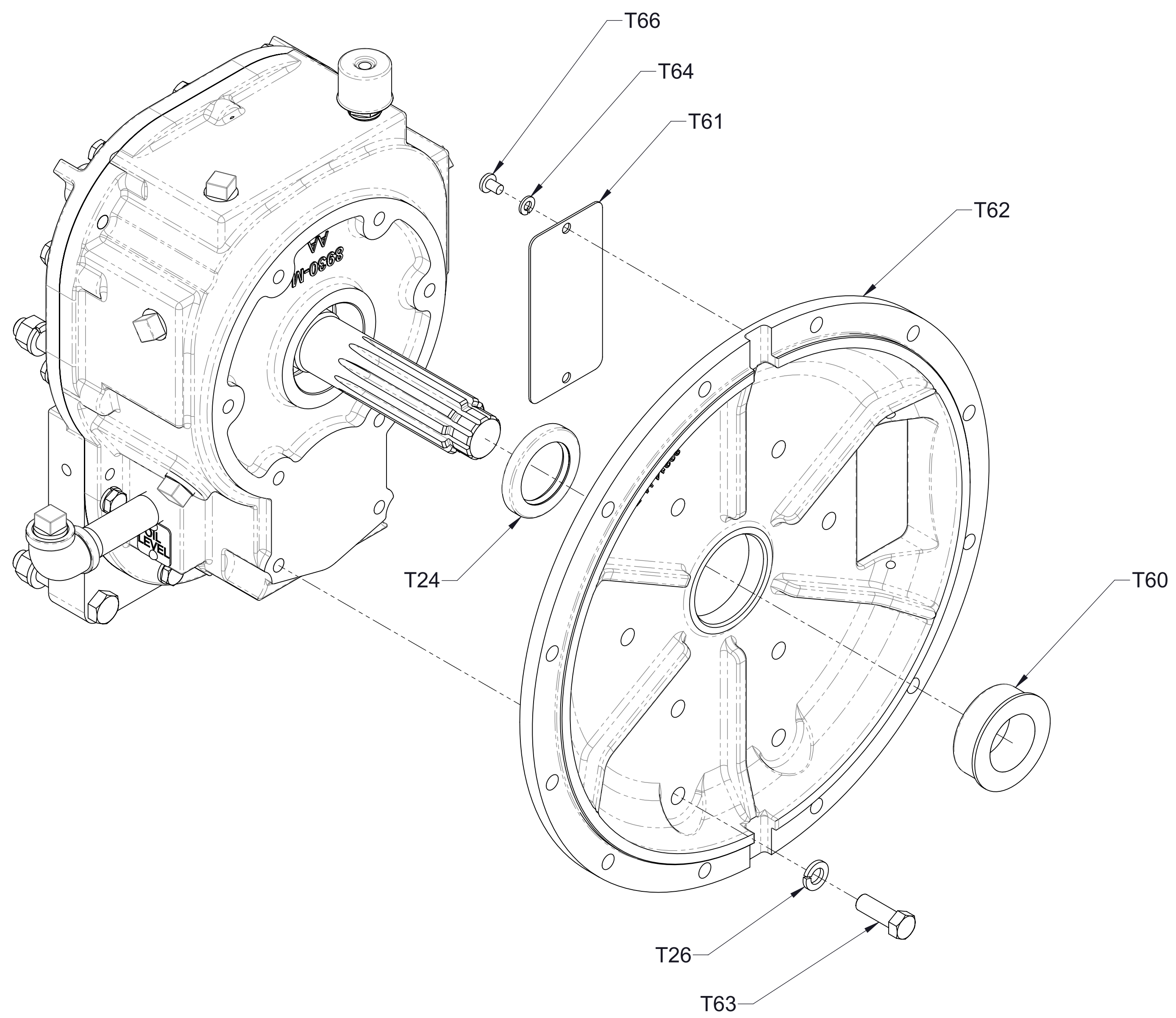


**Transmission Assembly
One Piece Impeller Shaft
CP-4UH**

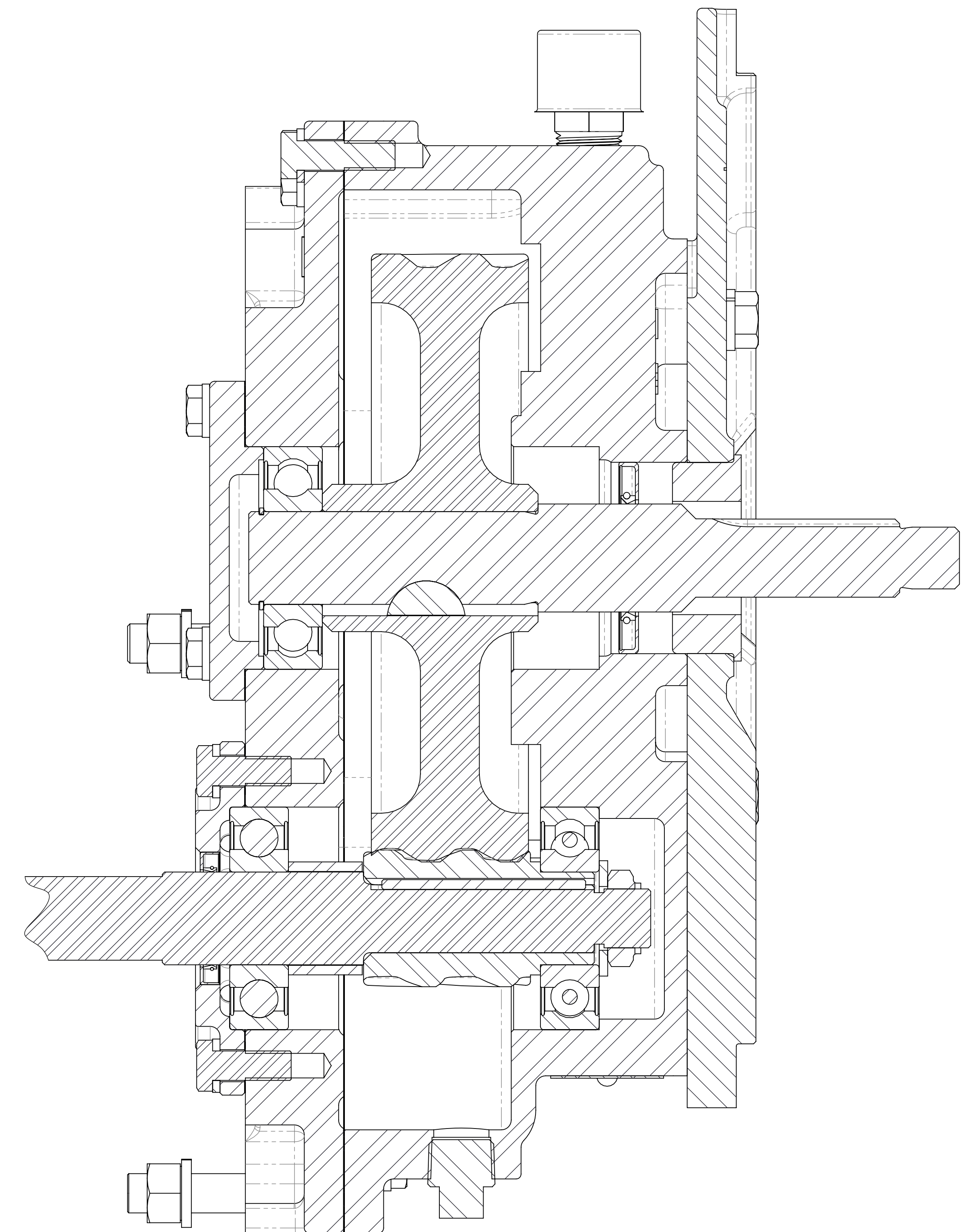
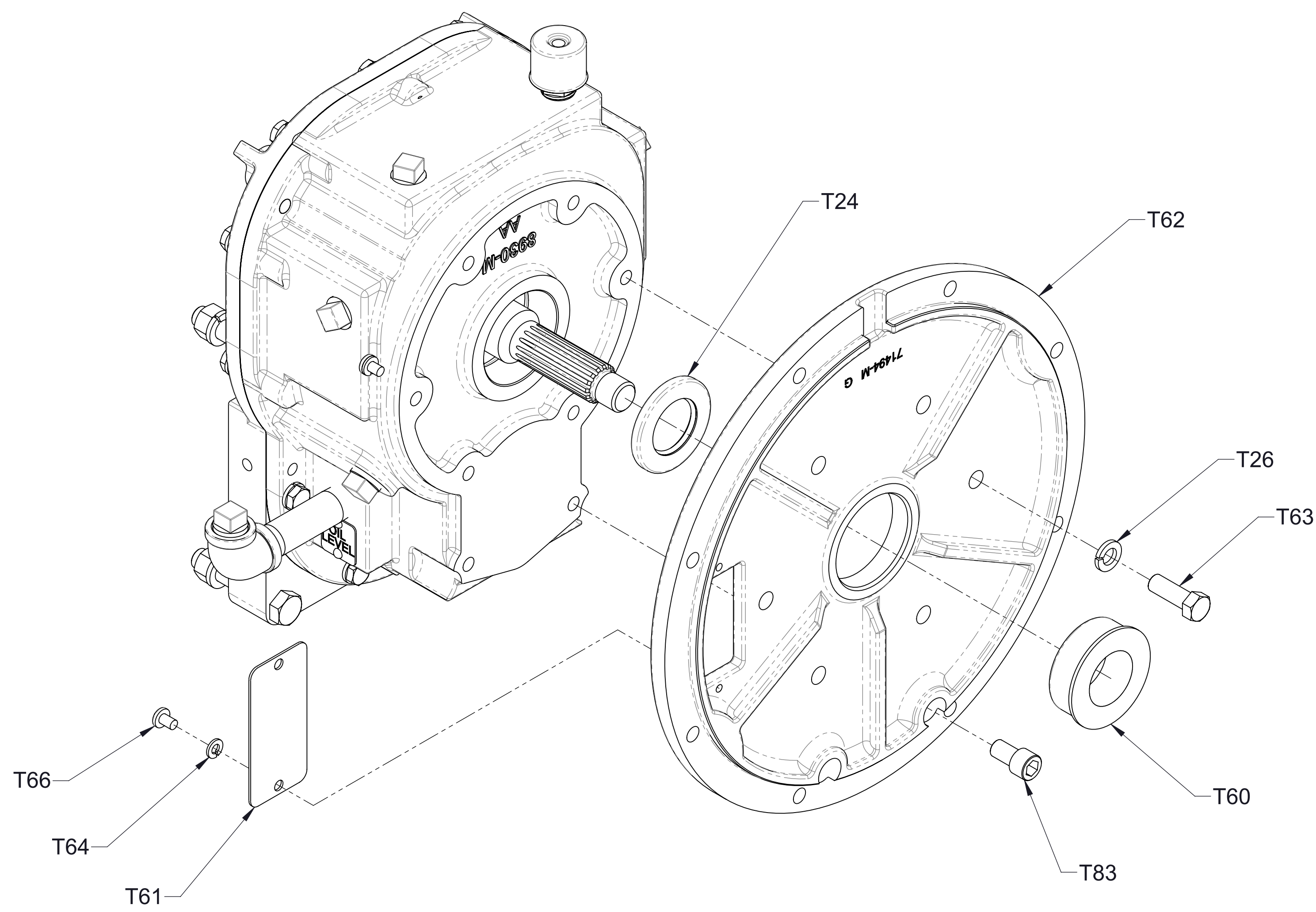
Ref No.	Description
T24	Seal-Oil, 1-5/8 x 2-7/16 in
T26	Washer-Lock, 7/16 in
T60	Bushing-Bellhousing Adapter
T61	Cover-Access Port
T62	Adapter-Bellhousing, SAE 3
T63	Screw-Hex Hd, 7/16-14 x 1-1/4 in
T64	Washer-Lock, 1/4 in
T66	Screw-Machine, Pan Hd, 1/4-20 x 3/8 in



Ref No.	Description
T24	Seal-Oil, 1-5/8 x 2-7/16 in
T26	Washer-Lock, 7/16 in
T60	Bushing-Bellhousing Adapter
T61	Cover-Access Port
T62	Adapter-Bellhousing, SAE 4
T63	Screw-Hex Hd, 7/16-14 x 1-1/4 in
T64	Washer-Lock, 1/4 in
T66	Screw-Machine, Pan Hd, 1/4-20 x 3/8 in



Ref No.	Description
T24	Seal-Oil, 1-3/8 x 2-7/16 in
T26	Washer-Lock, 7/16 in
T60	Bushing-Bellhousing Adapter
T61	Cover-Access Port
T62	Adapter-Bellhousing, SAE 5
T63	Screw-Hex Hd, 7/16-14 x 1-1/4 in
T64	Washer-Lock, 1/4 in
T66	Screw-Machine, Pan Hd, 1/4-20 x 3/8 in
T83	Screw-Cap, Hex Soc Hd, 7/16-14 x 3/4 in



Transmission Assembly
SAE - 5 Bellhousing Adapter