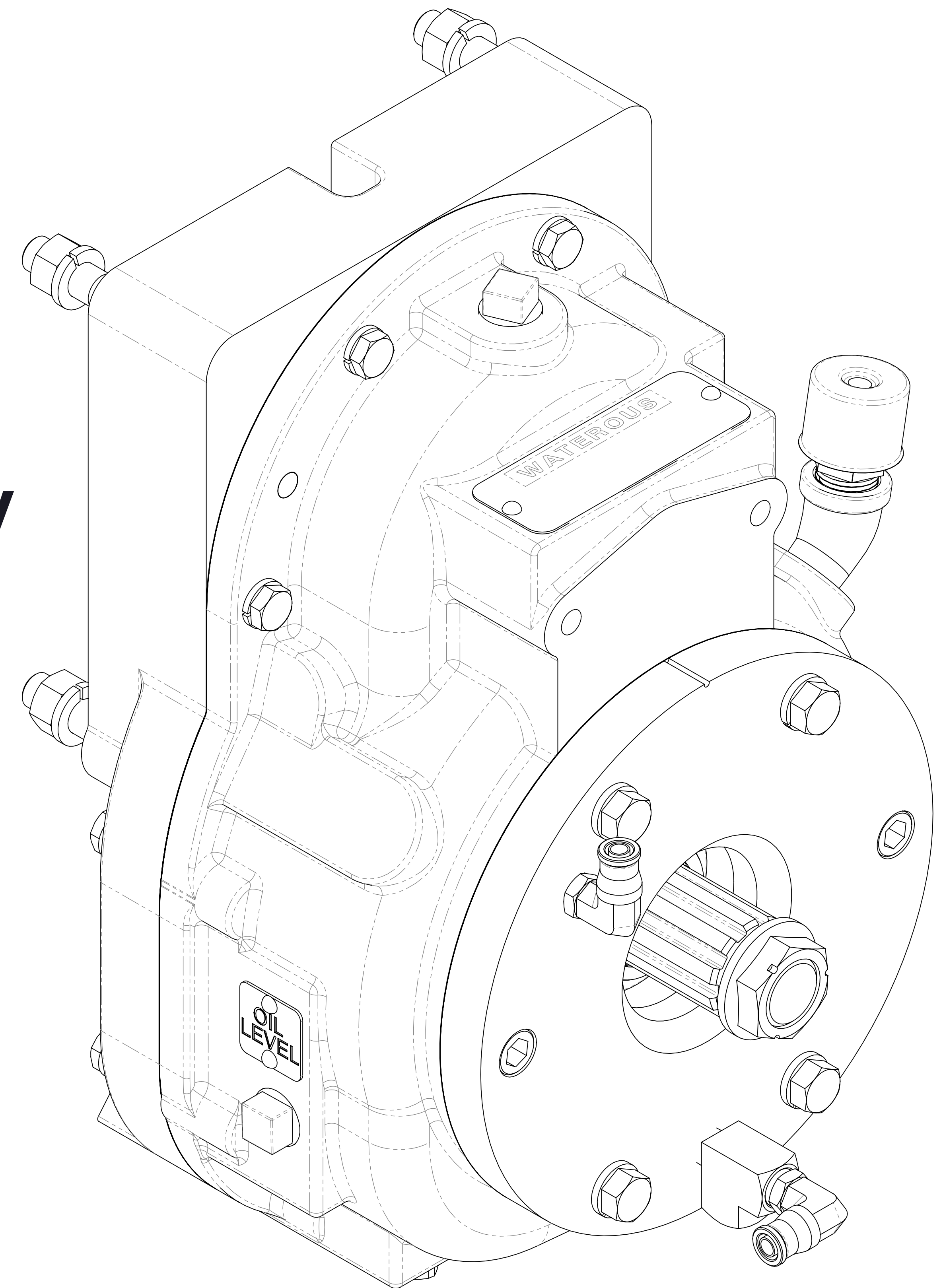
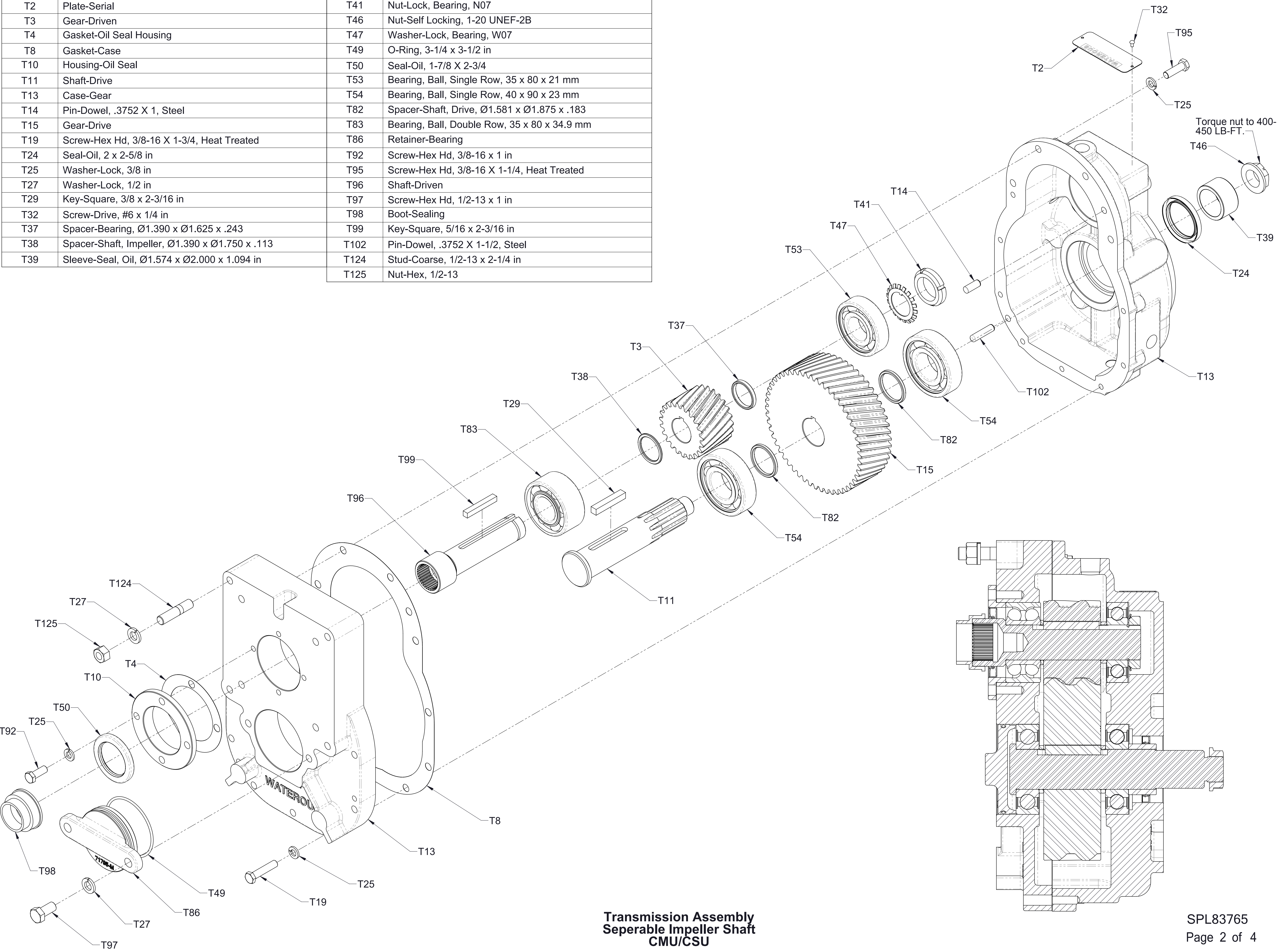


Extra Heavy Duty K Transmission Assy 83765

Pump Model	Impeller Shaft type	Input Type	See Sheet
CMU, CSU	Separable	1-1/2-10.SAE Spline	2
Oil Cooler and Fittings -- Vertical Only			3
Pump Mounting Positions - Oil Level, Breather, Drain, and Vent locations			4

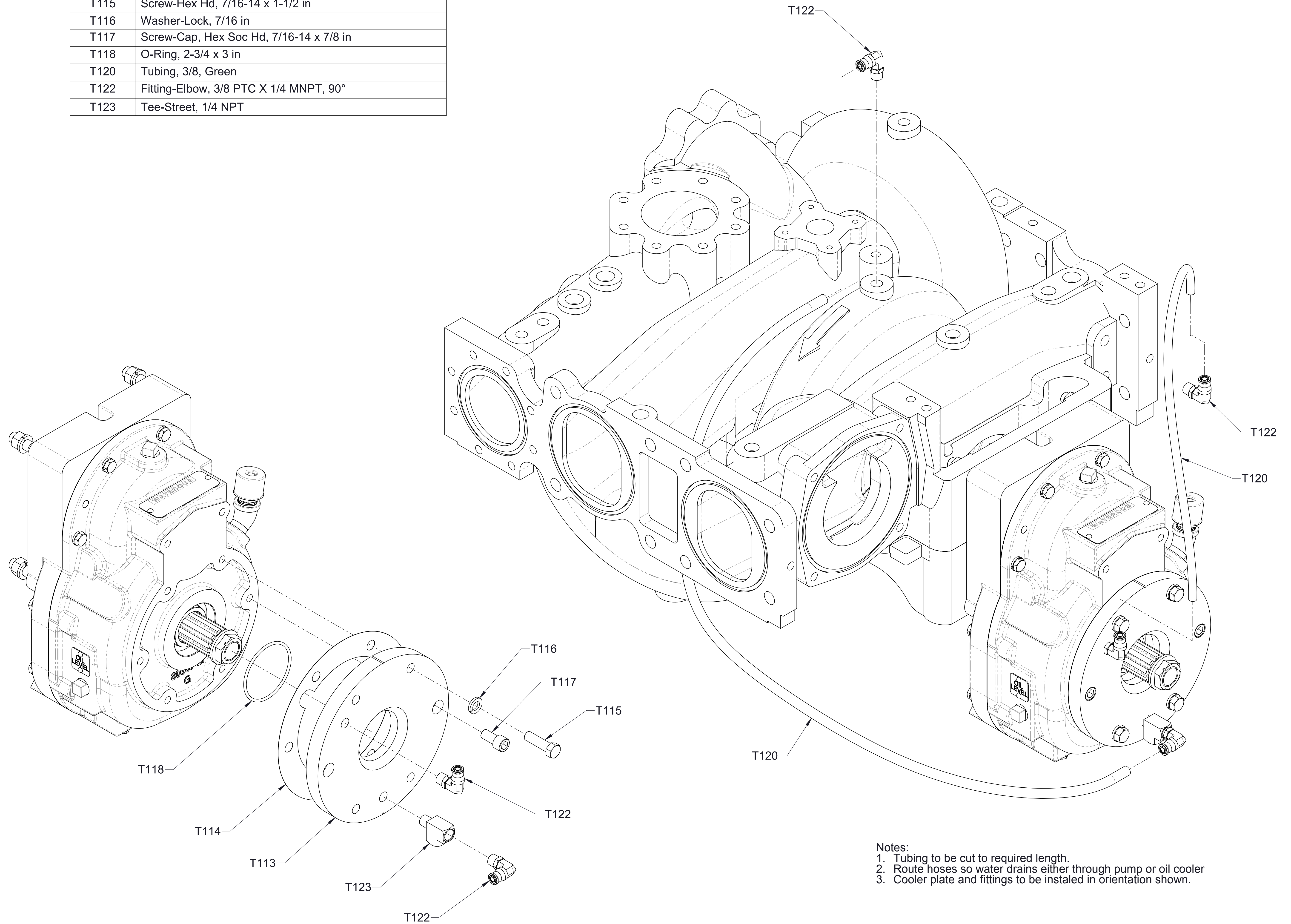


Ref No.	Description	Ref No.	Description
T2	Plate-Serial	T41	Nut-Lock, Bearing, N07
T3	Gear-Driven	T46	Nut-Self Locking, 1-20 UNEF-2B
T4	Gasket-Oil Seal Housing	T47	Washer-Lock, Bearing, W07
T8	Gasket-Case	T49	O-Ring, 3-1/4 x 3-1/2 in
T10	Housing-Oil Seal	T50	Seal-Oil, 1-7/8 X 2-3/4
T11	Shaft-Drive	T53	Bearing, Ball, Single Row, 35 x 80 x 21 mm
T13	Case-Gear	T54	Bearing, Ball, Single Row, 40 x 90 x 23 mm
T14	Pin-Dowel, .3752 X 1, Steel	T82	Spacer-Shaft, Drive, Ø1.581 x Ø1.875 x .183
T15	Gear-Drive	T83	Bearing, Ball, Double Row, 35 x 80 x 34.9 mm
T19	Screw-Hex Hd, 3/8-16 X 1-3/4, Heat Treated	T86	Retainer-Bearing
T24	Seal-Oil, 2 x 2-5/8 in	T92	Screw-Hex Hd, 3/8-16 x 1 in
T25	Washer-Lock, 3/8 in	T95	Screw-Hex Hd, 3/8-16 X 1-1/4, Heat Treated
T27	Washer-Lock, 1/2 in	T96	Shaft-Driven
T29	Key-Square, 3/8 x 2-3/16 in	T97	Screw-Hex Hd, 1/2-13 x 1 in
T32	Screw-Drive, #6 x 1/4 in	T98	Boot-Sealing
T37	Spacer-Bearing, Ø1.390 x Ø1.625 x .243	T99	Key-Square, 5/16 x 2-3/16 in
T38	Spacer-Shaft, Impeller, Ø1.390 x Ø1.750 x .113	T102	Pin-Dowel, .3752 X 1-1/2, Steel
T39	Sleeve-Seal, Oil, Ø1.574 x Ø2.000 x 1.094 in	T124	Stud-Coarse, 1/2-13 x 2-1/4 in
		T125	Nut-Hex, 1/2-13



**Transmission Assembly
Seperable Impeller Shaft
CMU/CSU**

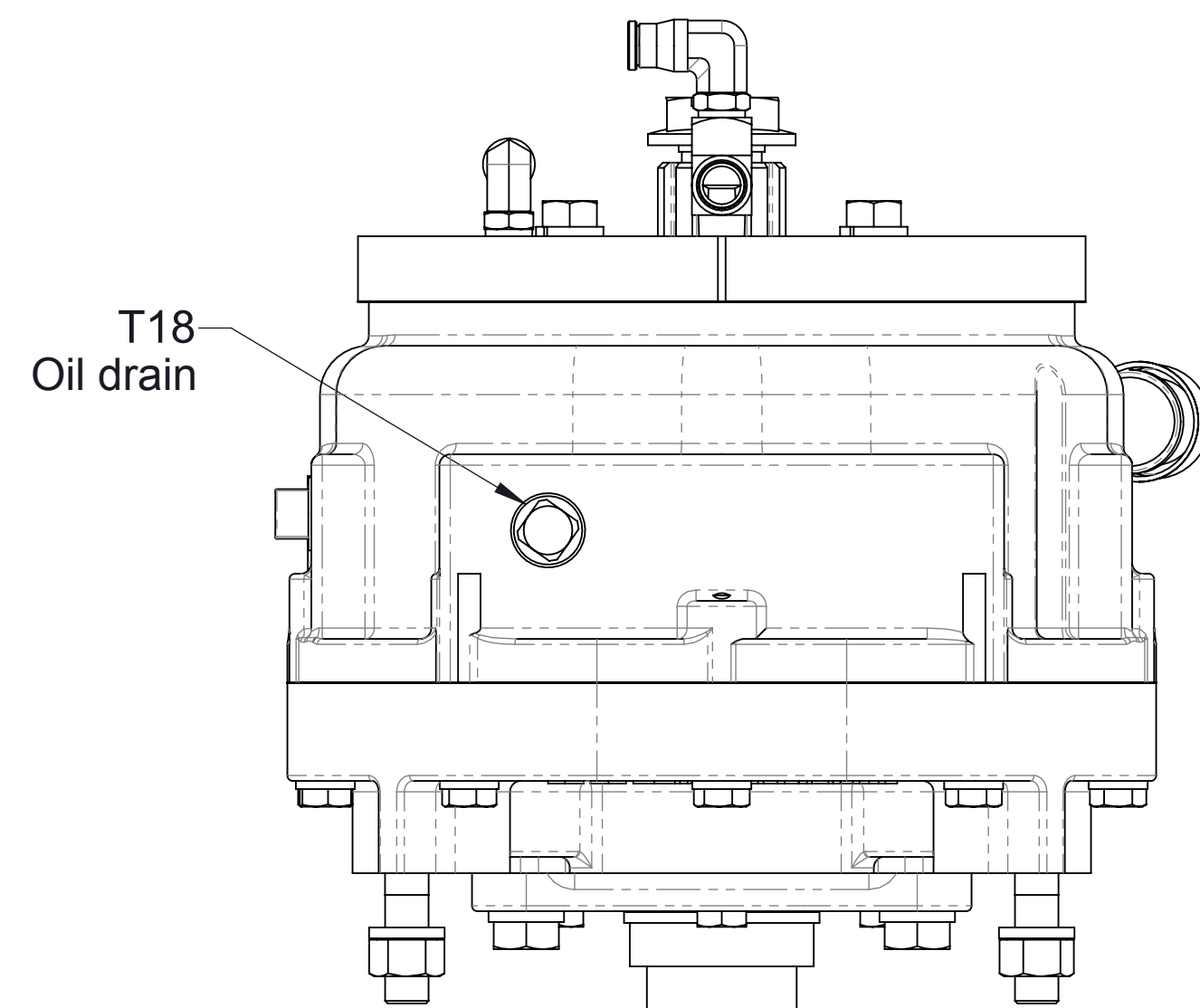
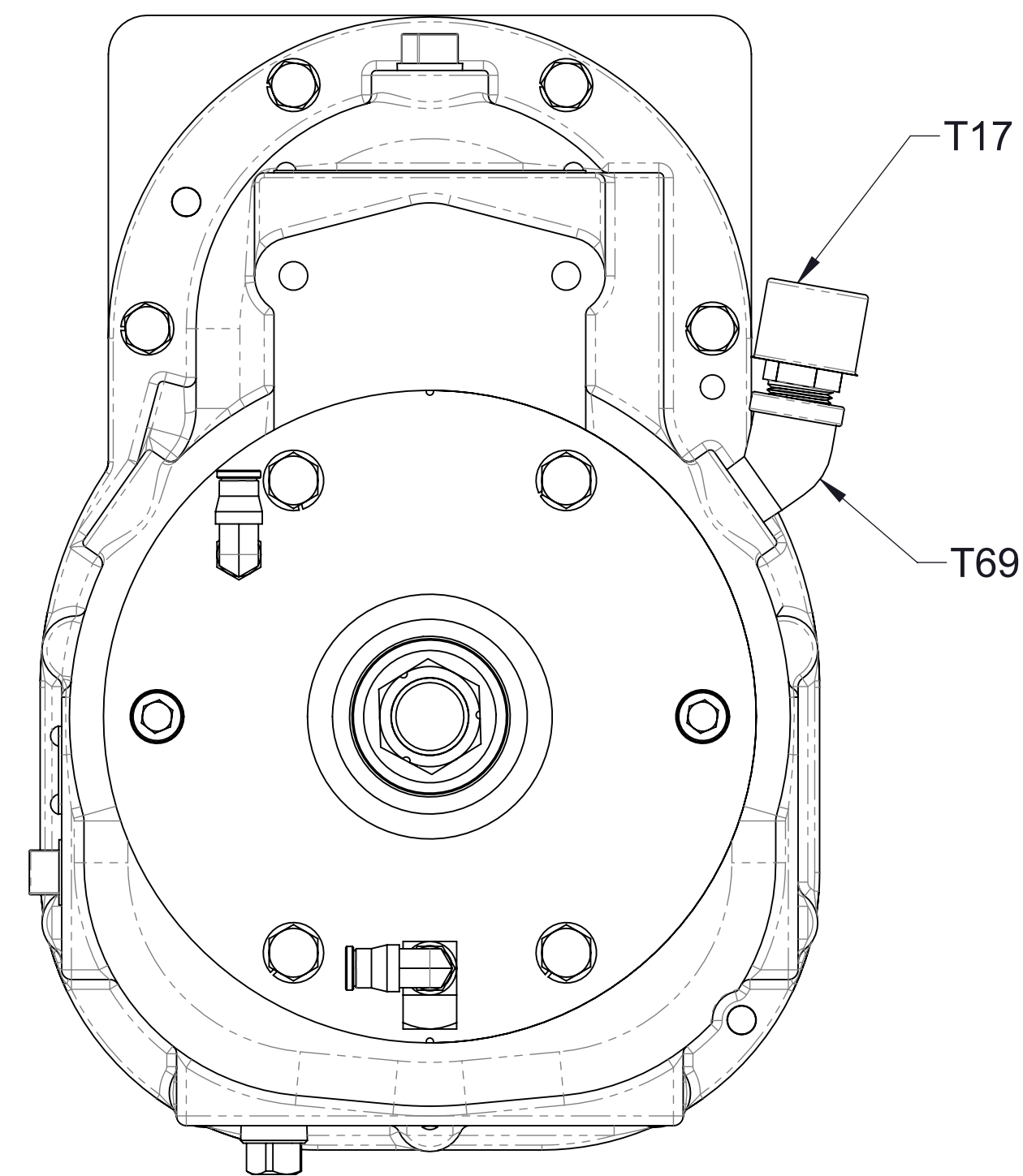
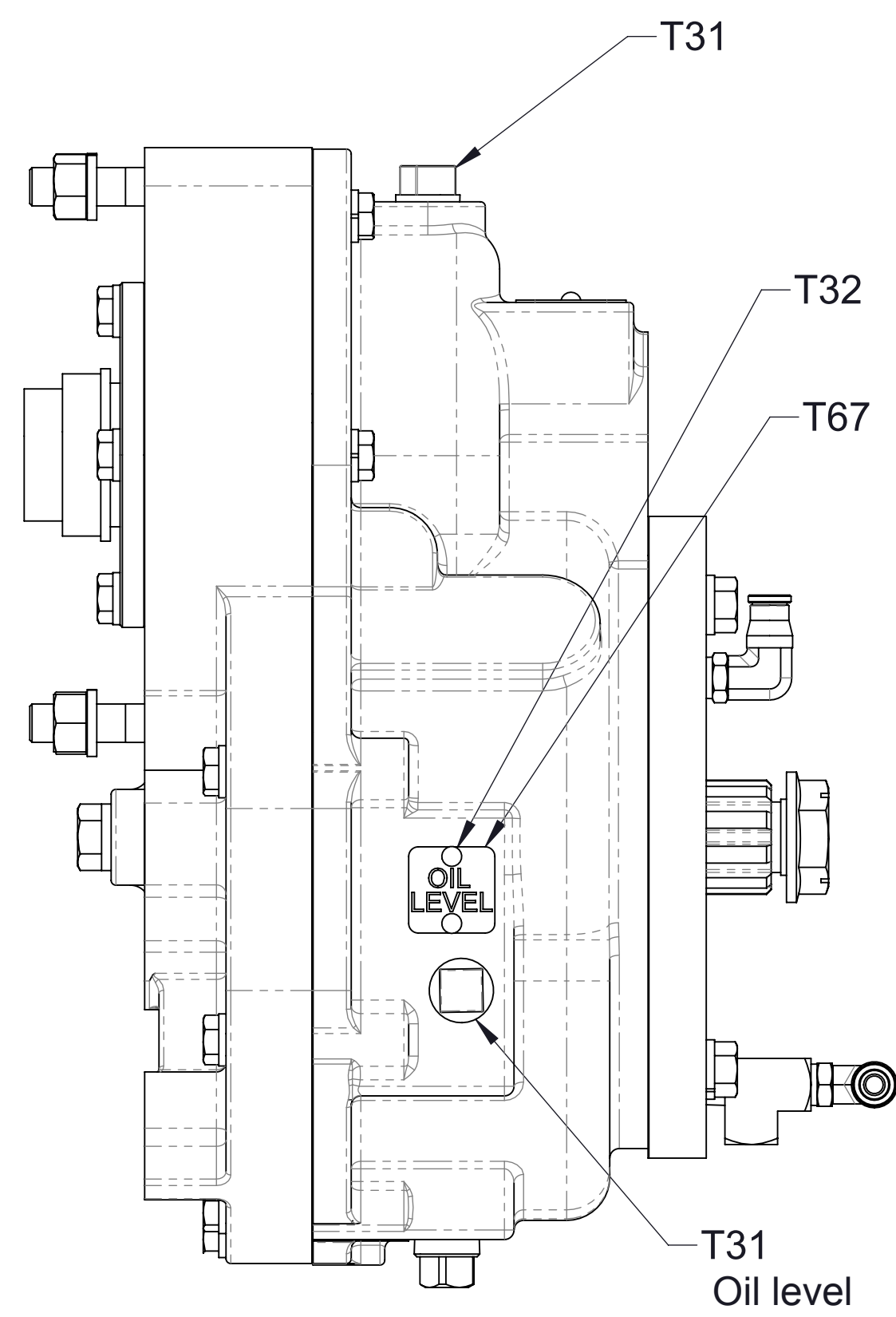
Ref No.	Description
T113	Plate-Cooling
T114	Gasket-Cooling Plate
T115	Screw-Hex Hd, 7/16-14 x 1-1/2 in
T116	Washer-Lock, 7/16 in
T117	Screw-Cap, Hex Soc Hd, 7/16-14 x 7/8 in
T118	O-Ring, 2-3/4 x 3 in
T120	Tubing, 3/8, Green
T122	Fitting-Elbow, 3/8 PTC X 1/4 MNPT, 90°
T123	Tee-Street, 1/4 NPT



- Notes:
1. Tubing to be cut to required length.
 2. Route hoses so water drains either through pump or oil cooler
 3. Cooler plate and fittings to be installed in orientation shown.

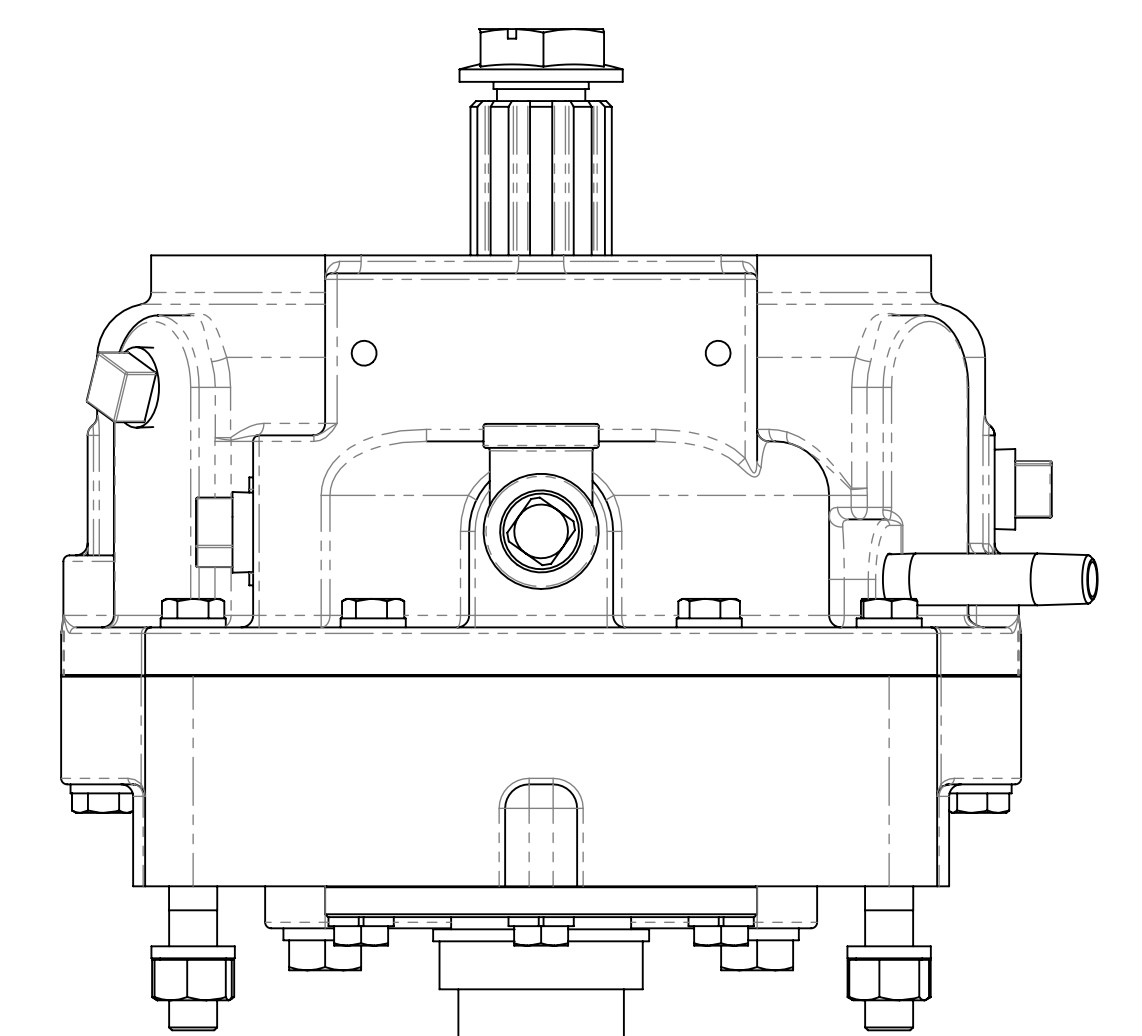
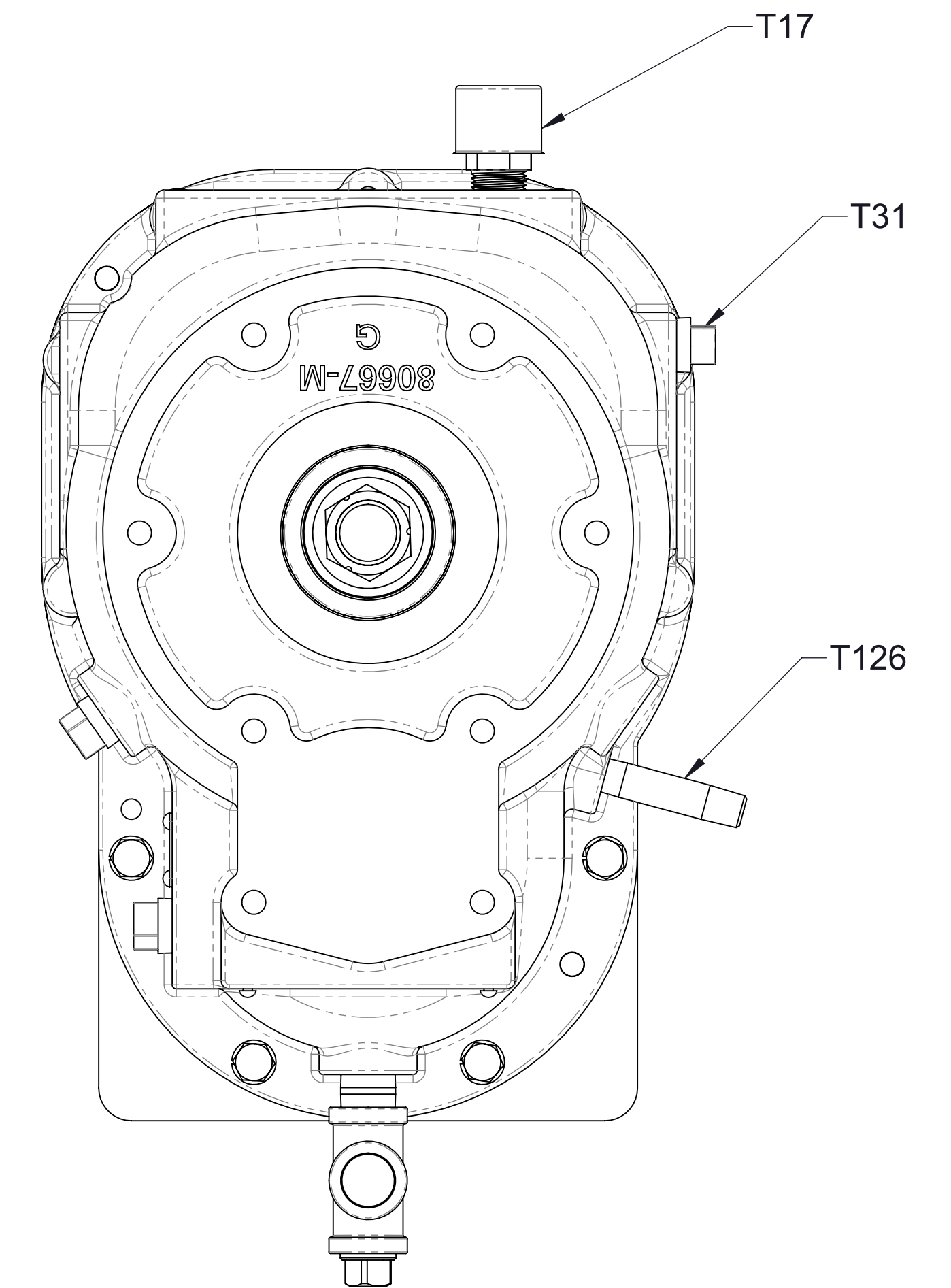
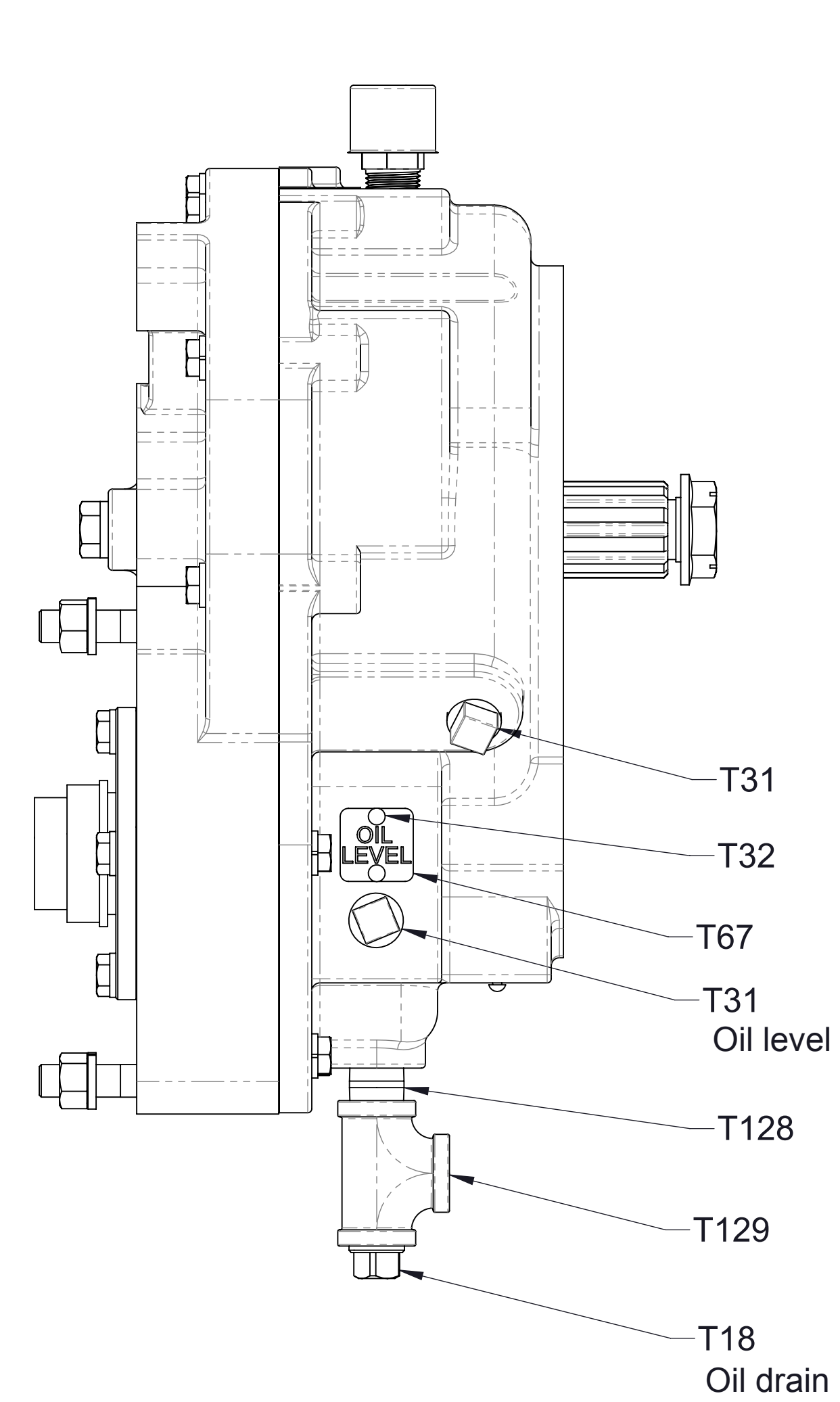
**Transmission Assembly
Cooler Plate and Lines
(Vertical Mounting Only)**

Ref No.	Description
T17	Breather, 1/2
T18	Plug-Drain, Magnetic, 1/2
T31	Plug-Pipe, Square Hd, 1/2 NPT
T32	Screw-Drive, #6 x 1/4 in
T67	Plate-Oil Level
T69	Elbow, Street, 45°, 1/2 NPT



Vertical

Ref No.	Description
T17	Breather, 1/2
T18	Plug-Drain, Magnetic, 1/2
T31	Plug-Pipe, Square Hd, 1/2 NPT
T32	Screw-Drive, #6 x 1/4 in
T67	Plate-Oil Level
T126	Nipple-Pipe, 1/4 NPT x 2-1/2 in
T128	Nipple-Pipe, 1/2 NPT x 1-1/2 in
T129	Tee-Standard, Pipe, 1/2 NPT



Inverted

Breather, Drain, Oil Level, and Plug Locations
Vertical and Inverted Mounting Positions
(CMU, CSU)