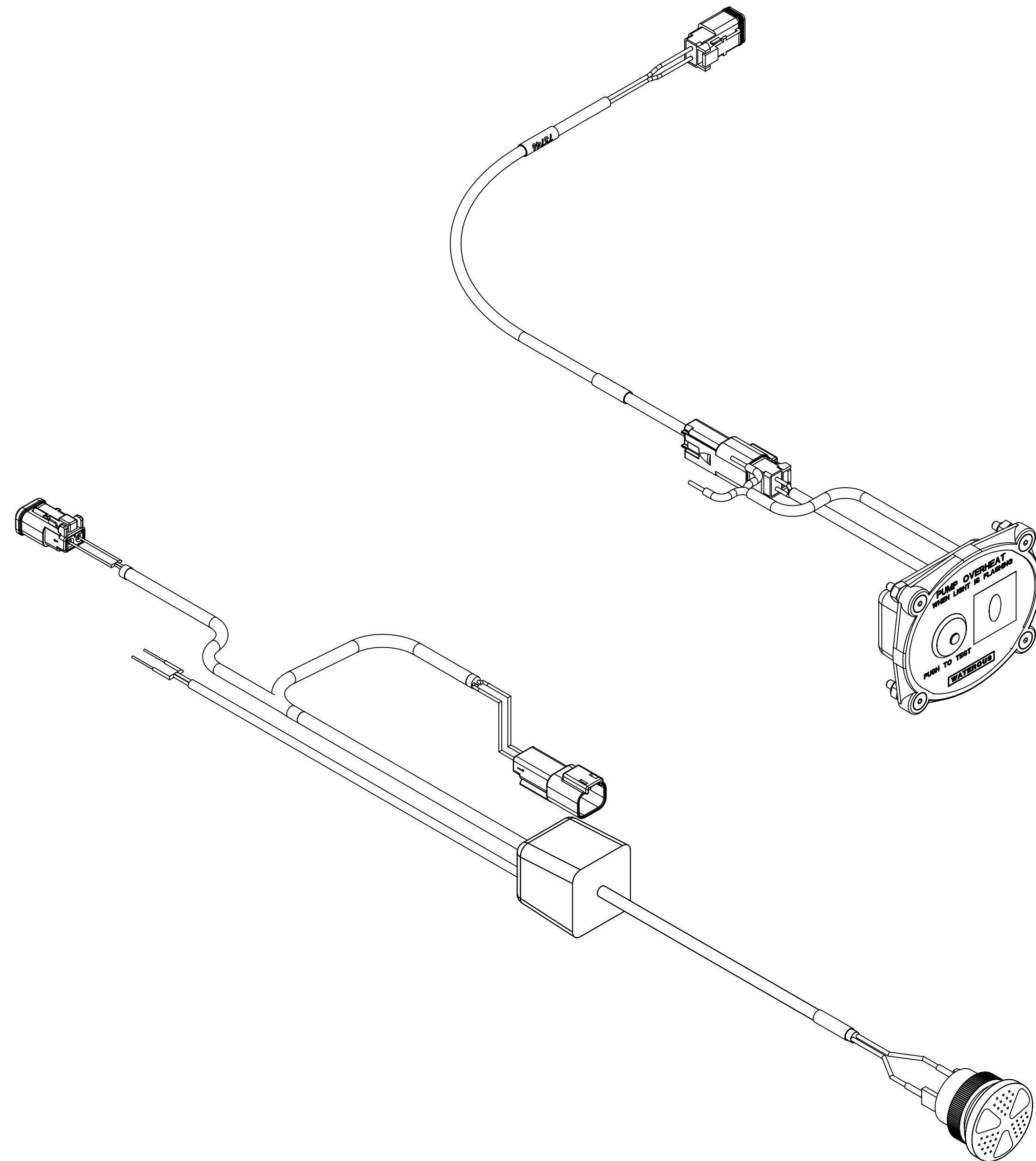
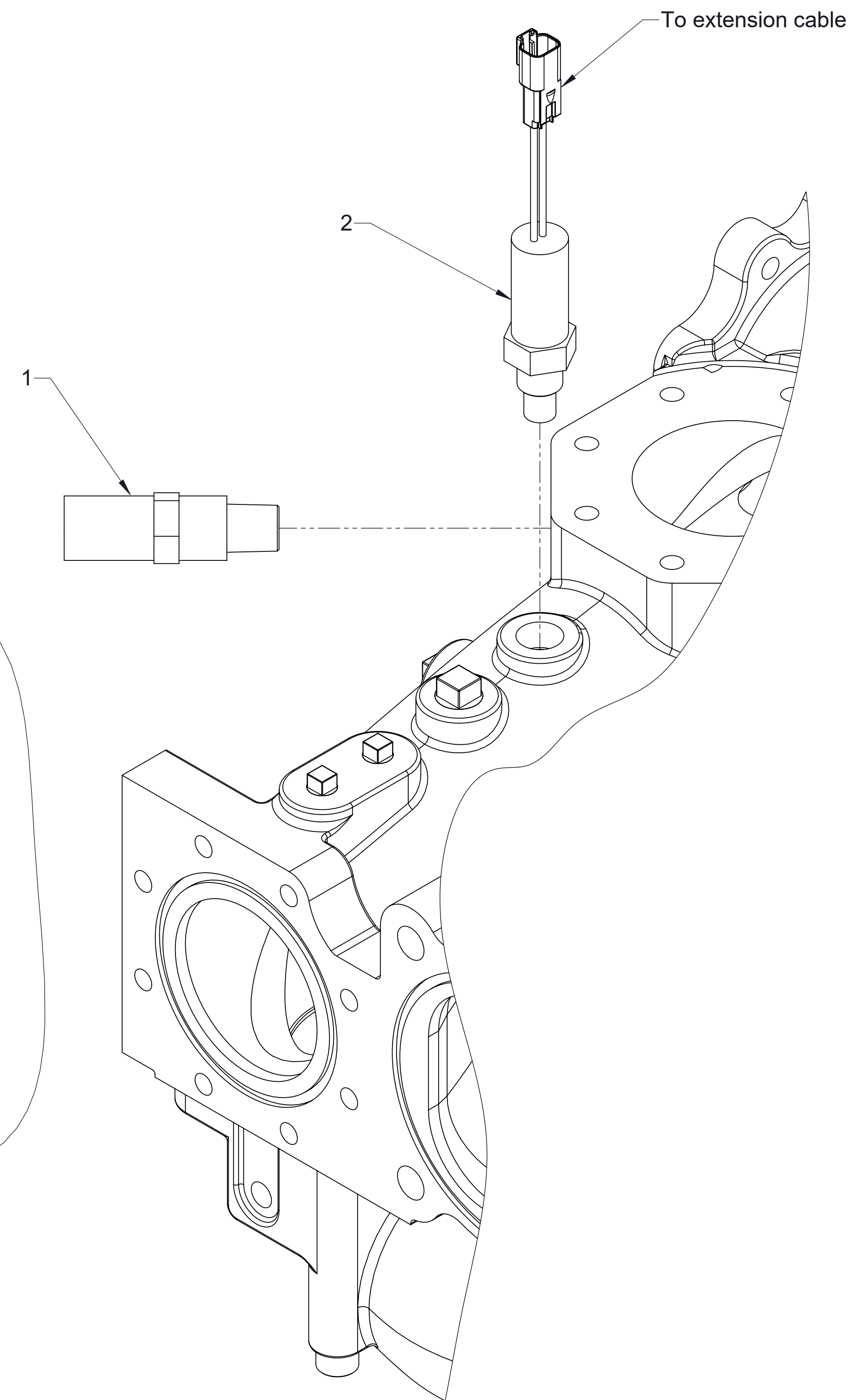
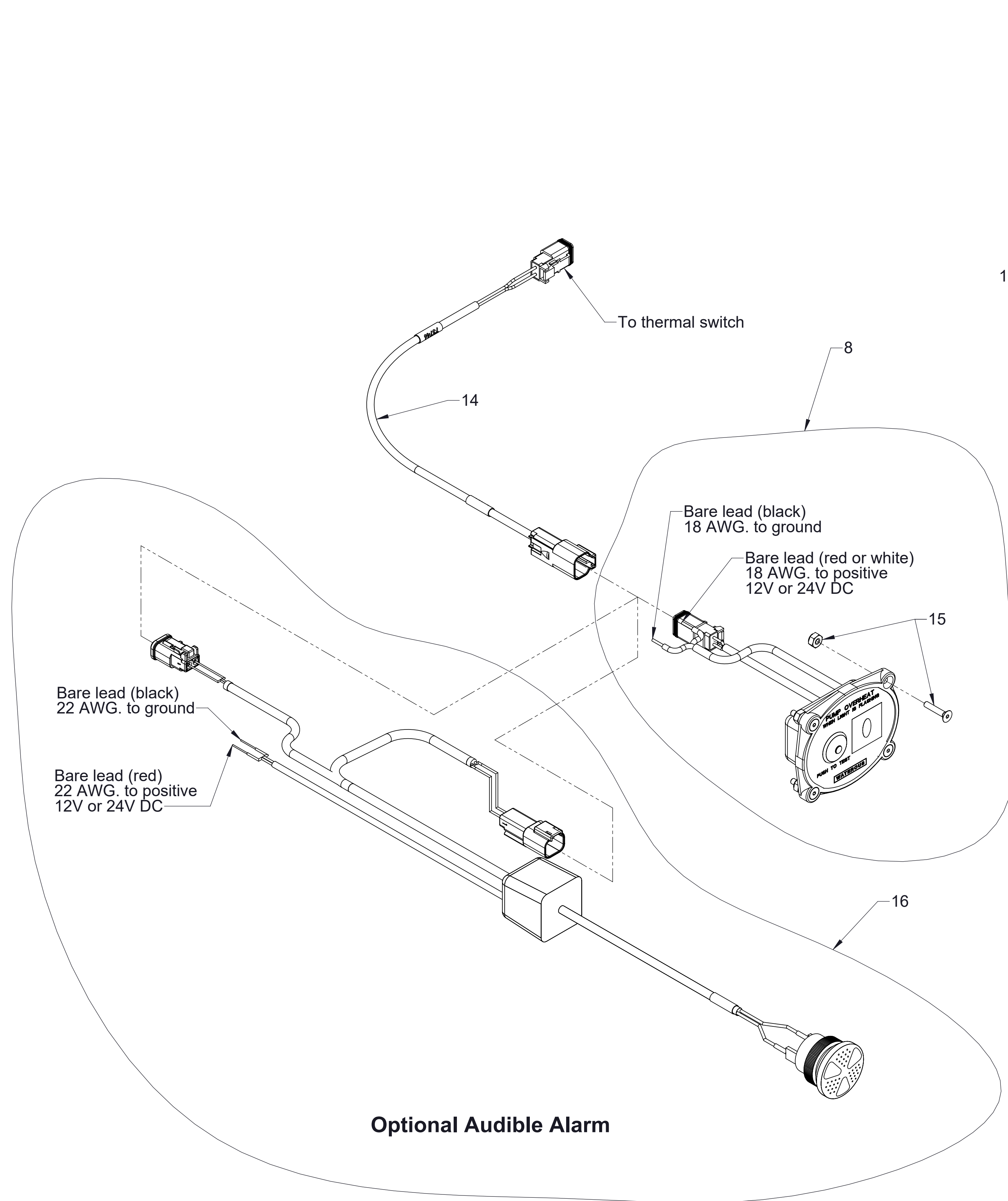


Overheat Protection Manager (OPM) Service Parts List

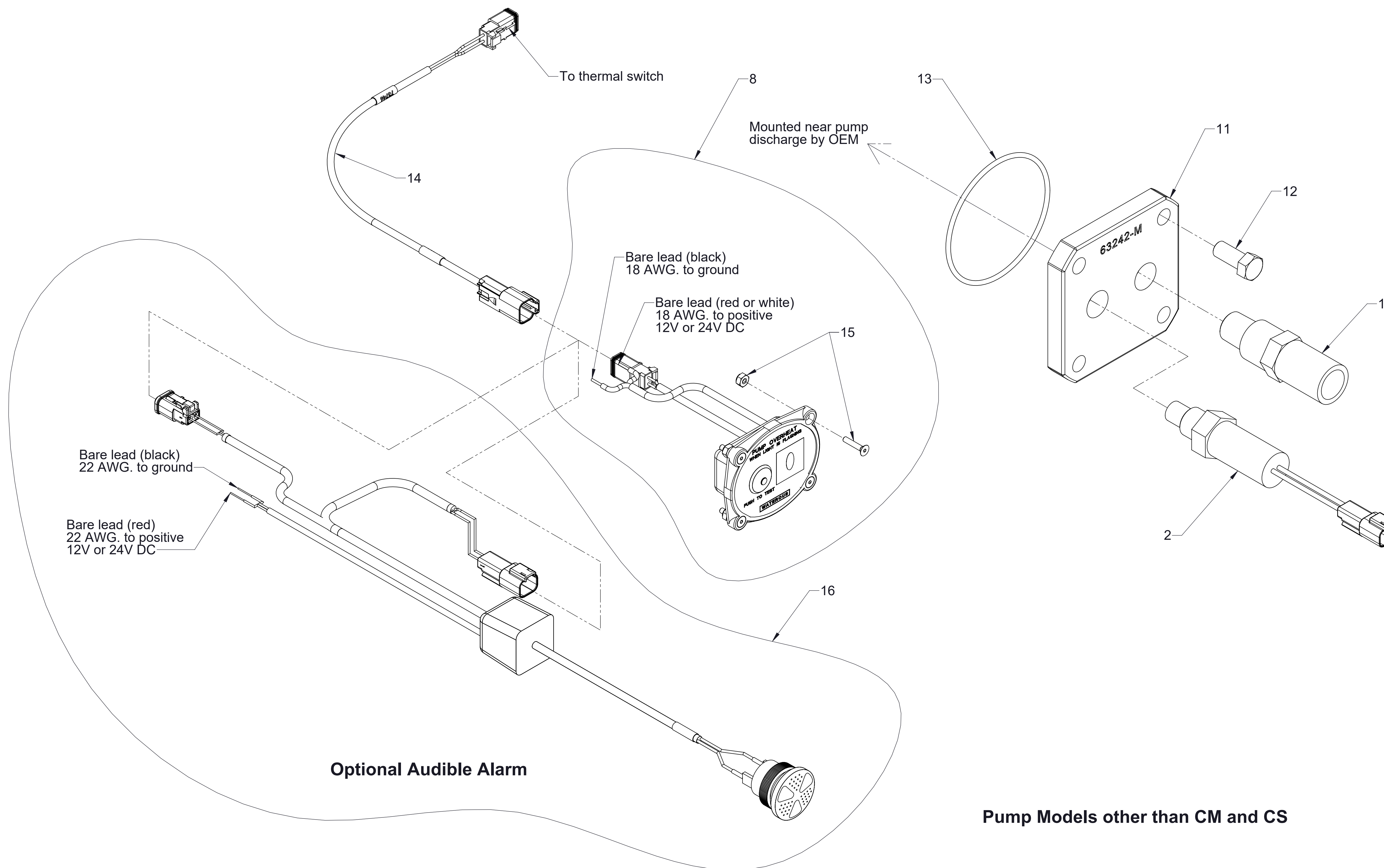
Panel Design	See Page	
	All CM and CS Series Pump Models	Pump Models other than CM and CS
Bezel with Flashing LED	2	3



Ref No.	Description
1	Thermal Relief Valve
2	Thermal Switch Wire Assembly
8	Control Panel (Includes REF 15 Mounting Hardware)
14	Extension Cable
15	Control Panel Mounting Hardware
16	Audible Alarm Assembly



Ref No.	Description
1	Thermal Relief Valve
2	Thermal Switch Wire Assembly
8	Control Panel (Includes REF 15 Mounting Hardware)
11	Flange
12	Screw-Hex Hd, 7/16-14 x 1 in
13	O-Ring, 3-1/2 x 3-3/4 in
14	Extension Cable
15	Control Panel Mounting Hardware
16	Audible Alarm Assembly



Pump Models other than CM and CS