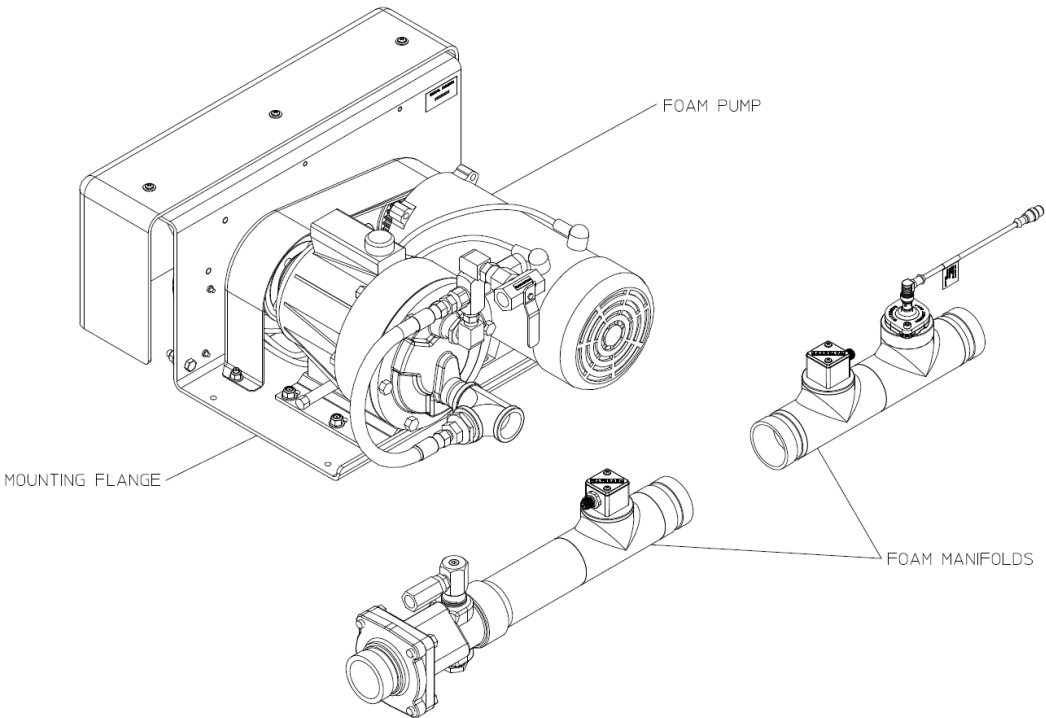


## Advantus™ Foam System Service Parts List Model Advantus 6

Index:

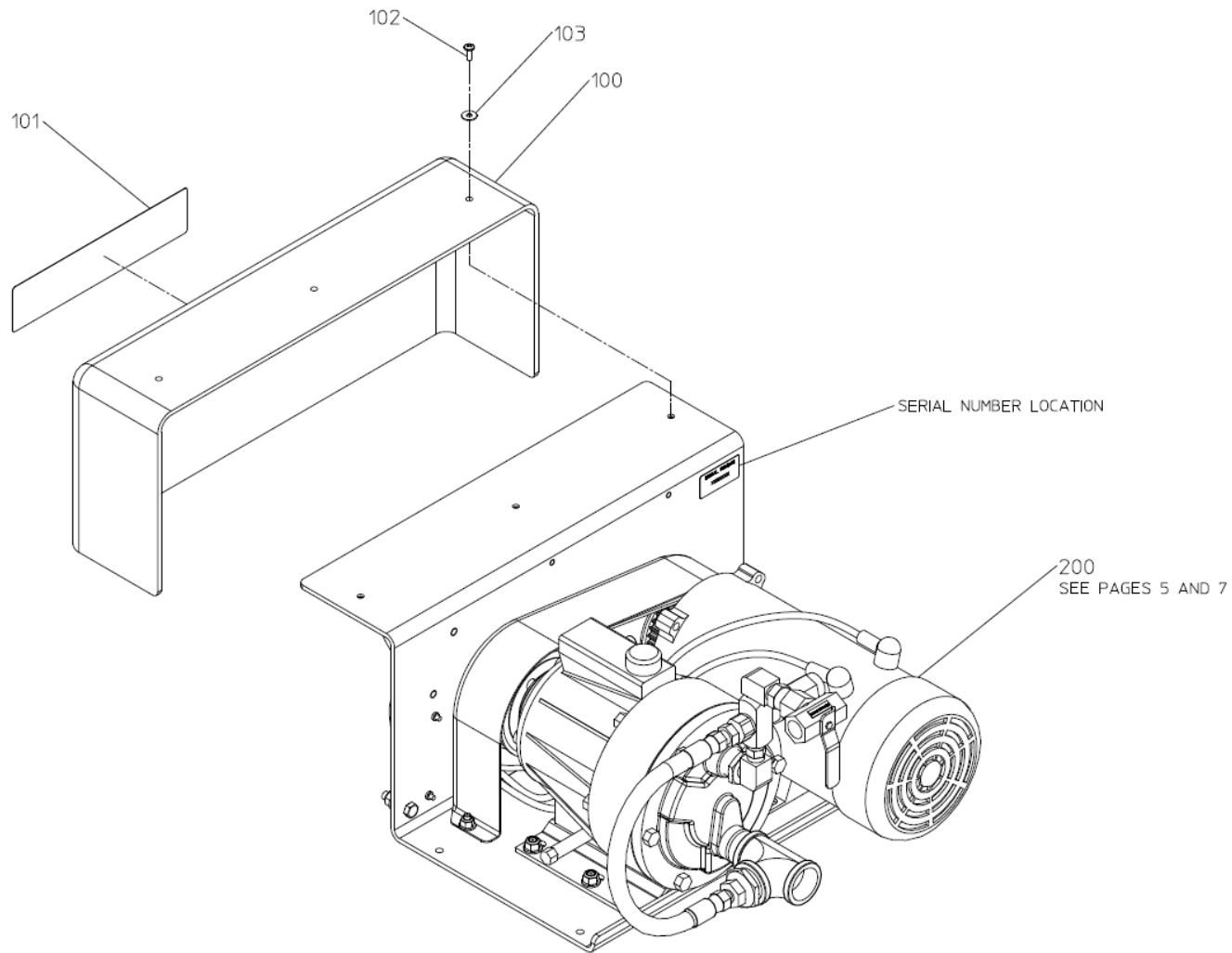
| Component                                |                            | See Pages                       |
|--|----------------------------|---------------------------------|
| Foam Pump                                | Complete Unit              | 2, 3                            |
|  | Pump and Motor             | 4, 5                            |
|  | Bracket and Control Module | 6, 7                            |
|  | Control Box Wiring         | 8, 9                            |
| Foam Manifold                            | Components                 | 10, 11                          |
|  | Cables                     | 12, 13                          |
| Panel Components                         |                            | 14, 15                          |
| Foam Tank                                |                            | 16, 17                          |
| Foam Supply and Inject/By-Pass Hose Kits |                            | See Service Parts List SPL83430 |
| Dual Foam Tank Selector Kit              |                            | See Service Parts List SPL83440 |
| Dual OIT Kit                             |                            | See Service Parts List SPL83459 |



## Foam Pump – Complete Unit

| REF NO. | DESCRIPTION                         |
|---------|-------------------------------------|
| 100     | Foam Pump Cover                     |
| 101     | Cover Label                         |
| 102     | Pan Head Screw, No. 10-32 x 1/2 in. |

| REF NO. | DESCRIPTION                                |
|---------|--|
| 103     | Plain Washer, No. 10                       |
| 200     | Foam Pump Assembly (Includes 201 thru 273) |
|         |  |

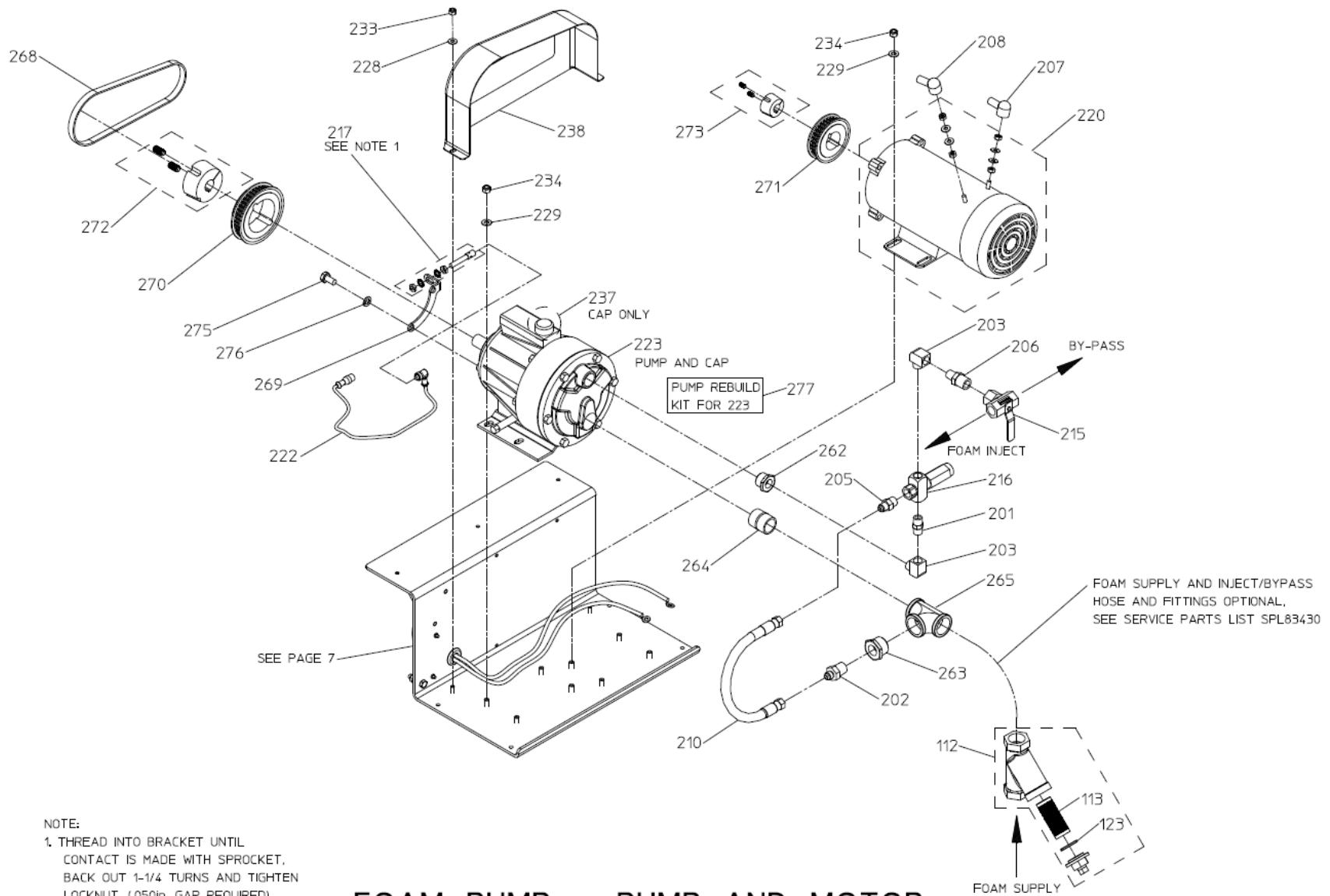


## FOAM PUMP – COMPLETE UNIT

## Foam Pump – Pump and Motor

| REF NO. | DESCRIPTION                                |
|---------|--|
| 112     | Wye Strainer, 1 in. (Includes 113 and 123) |
| 113     | Strainer Screen                            |
| 123     | Strainer Gasket                            |
| 201     | Straight Adapter, 3/8 MNPT x 3/8 MNPT      |
| 202     | Straight Adapter, 6 MJIC x 1/2 MNPT        |
| 203     | Street Elbow, 90 Deg., 3/8 NPT             |
| 205     | Straight Adapter, 6 MJIC x 3/8 MNPT        |
| 206     | Straight Adapter, 3/8 MNPT x 1/2 MNPT      |
| 207     | Black Boot                                 |
| 208     | Red Boot                                   |
| 210     | Bypass Hose                                |
| 215     | 3 Way Ball Valve                           |
| 216     | Pressure Regulator                         |
| 217     | Product Sensor                             |
| 220     | Electric Motor                             |
| 222     | Product Sensor Cable                       |
| 223     | Foam Pump (Includes 237)                   |
| 228     | Plain Washer, 1/4 in.                      |

| REF NO. | DESCRIPTION                           |
|---------|---------------------------------------|
| 229     | Plain Washer, 5/16 in.                |
| 233     | Nylok Hex Nut, 1/4-20                 |
| 234     | Nylok Hex Nut, 5/16-18                |
| 237     | Vented Oil Fill Cap                   |
| 238     | Belt Guard                            |
| 262     | Reducing Bushing, 3/4 MNPT x 3/8 FNPT |
| 263     | Reducing Bushing, 1 MNPT x 1/2 FNPT   |
| 264     | Close Pipe Nipple (Brass), 1 in. NPT  |
| 265     | Tee, 1 FNPT x 1 FNPT x 1 FNPT         |
| 268     | Belt                                  |
| 269     | Speed Sensor Bracket                  |
| 270     | Pump Sprocket                         |
| 271     | Motor Sprocket                        |
| 272     | Taperlock Bushing, 7/8 in.            |
| 273     | Taperlock Bushing, 5/8 in.            |
| 275     | Hex Head Screw, M10-1.75 x 20mm       |
| 276     | Lock Washer, 10mm                     |
| 277     | Foam Pump Rebuild Kit                 |

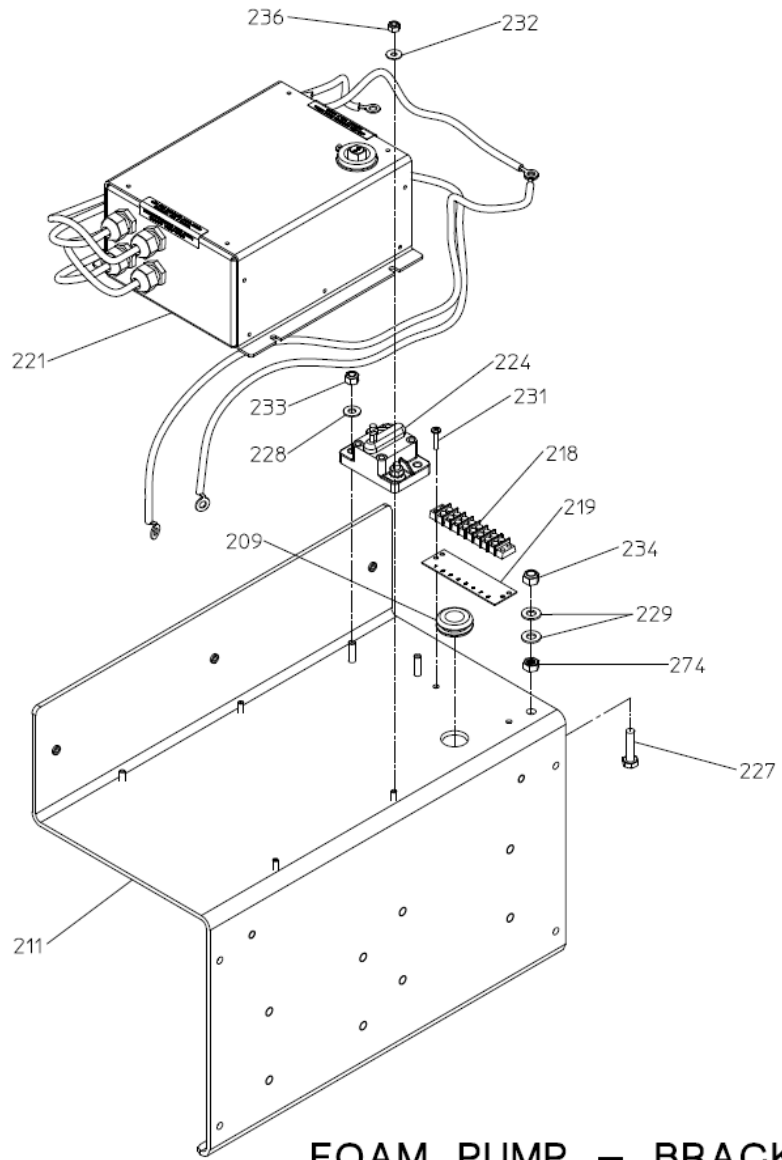


## FOAM PUMP – PUMP AND MOTOR

## Foam Pump – Bracket and Control Module

| REF NO. | DESCRIPTION                         |
|---------|-------------------------------------|
| 209     | Grommet                             |
| 211     | Z Bracket                           |
| 218     | 8 Position Terminal Block           |
| 219     | Number Strip                        |
| 221     | Control Box                         |
| 224     | Circuit Breaker                     |
| 227     | Hex Head Screw, 5/16-18 x 1-1/4 in. |
| 228     | Plain Washer, ¼ in.                 |
| 229     | Plain Washer, 5/16 in.              |

| REF NO. | DESCRIPTION                      |
|---------|----------------------------------|
| 231     | Screw-Pan Head, No. 8-32 x ¾ in. |
| 232     | Plain Washer, No. 10             |
| 233     | Nylok Hex Nut, ¼-20              |
| 234     | Nylok Hex Nut, 5/16-18           |
| 236     | Nylok Hex Nut, No. 10-32         |
| 274     | Hex Nut, 5/16-18                 |
|         |                                  |
|         |                                  |
|         |                                  |



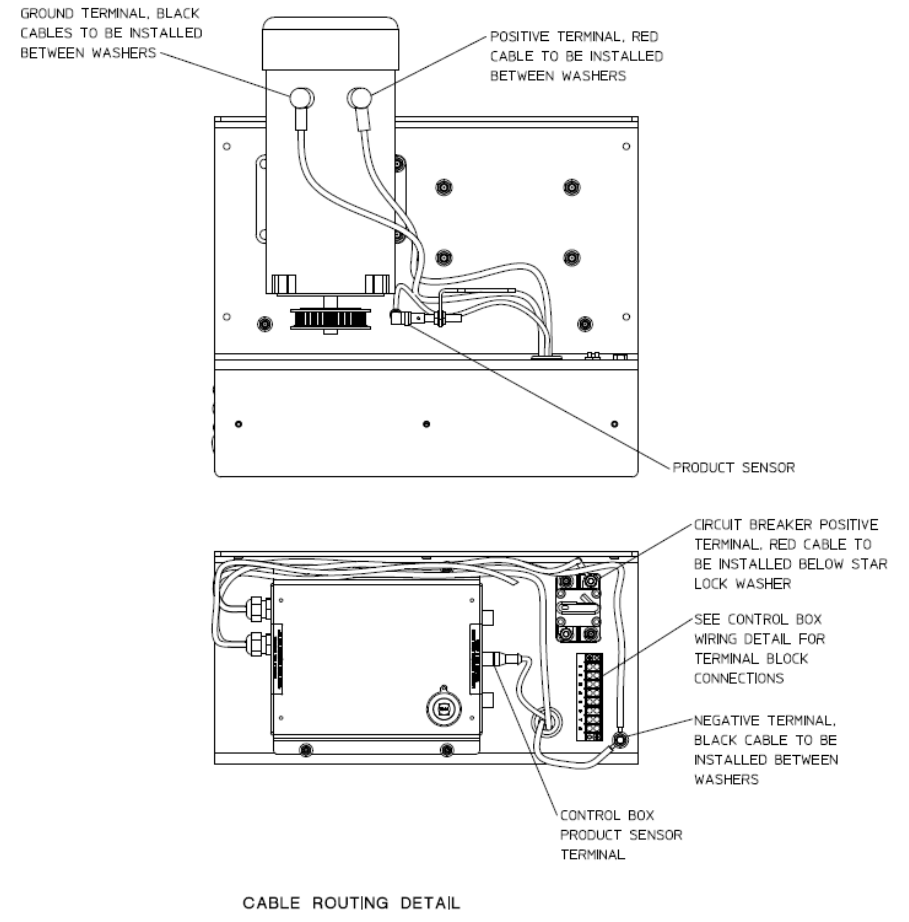
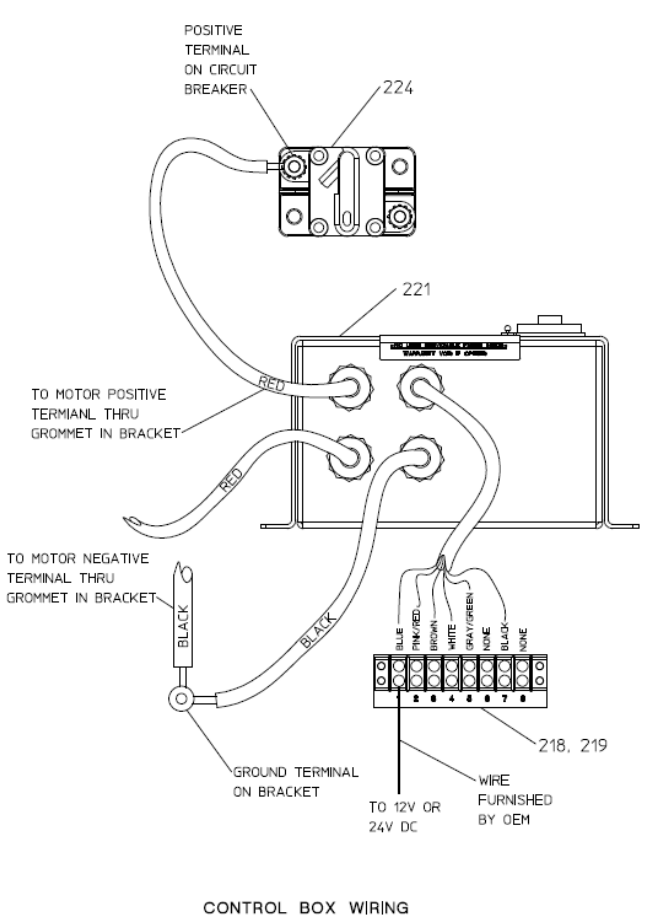
FOAM PUMP – BRACKET & CONTROL MODULE

### Foam Pump – Control Box Wiring

| REF NO. | DESCRIPTION               |
|---------|---------------------------|
| 218     | 8 Position Terminal Block |
| 219     | Number Strip              |

| REF NO. | DESCRIPTION     |
|---------|-----------------|
| 221     | Control Box     |
| 224     | Circuit Breaker |



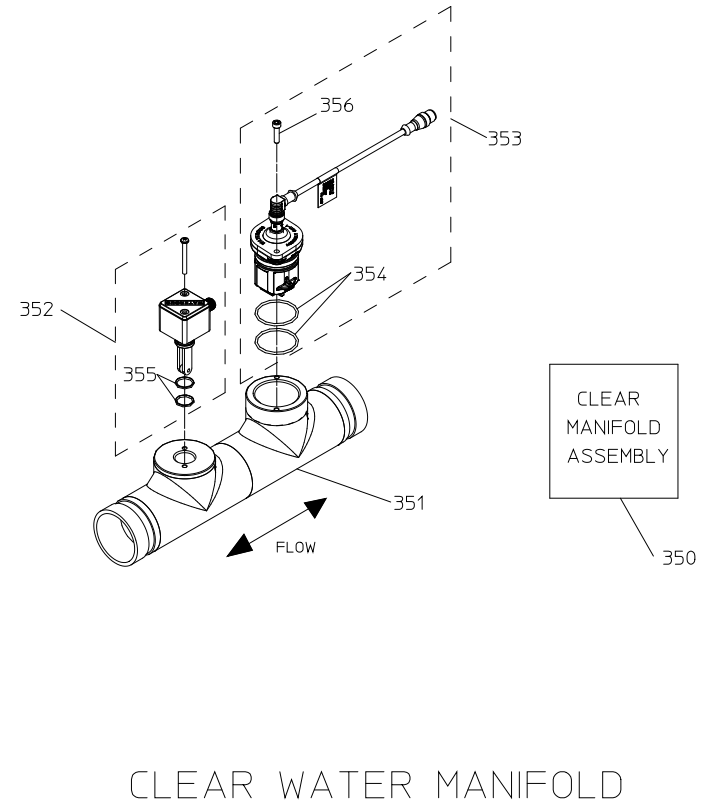
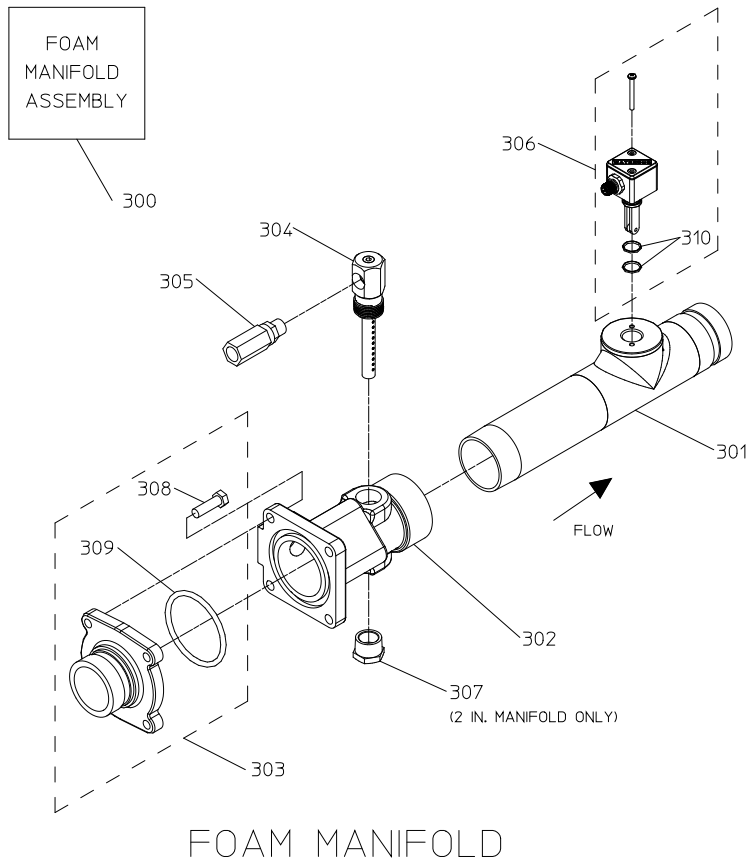


**FOAM PUMP – CONTROL BOX WIRING**

## Foam Manifold - Components

| REF NO. | DESCRIPTION                                       |
|---------|---|
| 300     | Foam Manifold Assembly (Includes 301 thru 310)    |
| 301     | Foam Manifold                                     |
| 302     | Check Valve                                       |
| 303     | Victaulic Flange (Includes 308 and 309)           |
| 304     | Foam Inject Fitting                               |
| 305     | Check Valve, 3/8 in.                              |
| 306     | Conductivity/Temp Probe (Includes Screws and 310) |
| 307     | Hex Plug, 3/4 NPT (Brass)                         |
| 308     | Hex Hd Screw, 3/8-16 x 1-1/4 in.                  |
| 309     | O-ring (Victaulic Flange)                         |

| REF NO. | DESCRIPTION                                     |
|---------|---|
| 310     | O-ring, 5/8 x 3/4 in.                           |
| 350     | Clear Manifold Assembly (Includes 351 thru 356) |
| 351     | Clear Water Manifold                            |
| 352     | Conductivity Probe (Includes Screws and 355)    |
| 353     | Flowmeter (Includes 354 and 356)                |
| 354     | O-ring, 1-1/2 x 1-11/16 in.                     |
| 355     | O-ring, 5/8 x 3/4 in.                           |
| 356     | Socket Head Screw, #10-32 x 3/4 in.             |
|         |   |
|         |   |

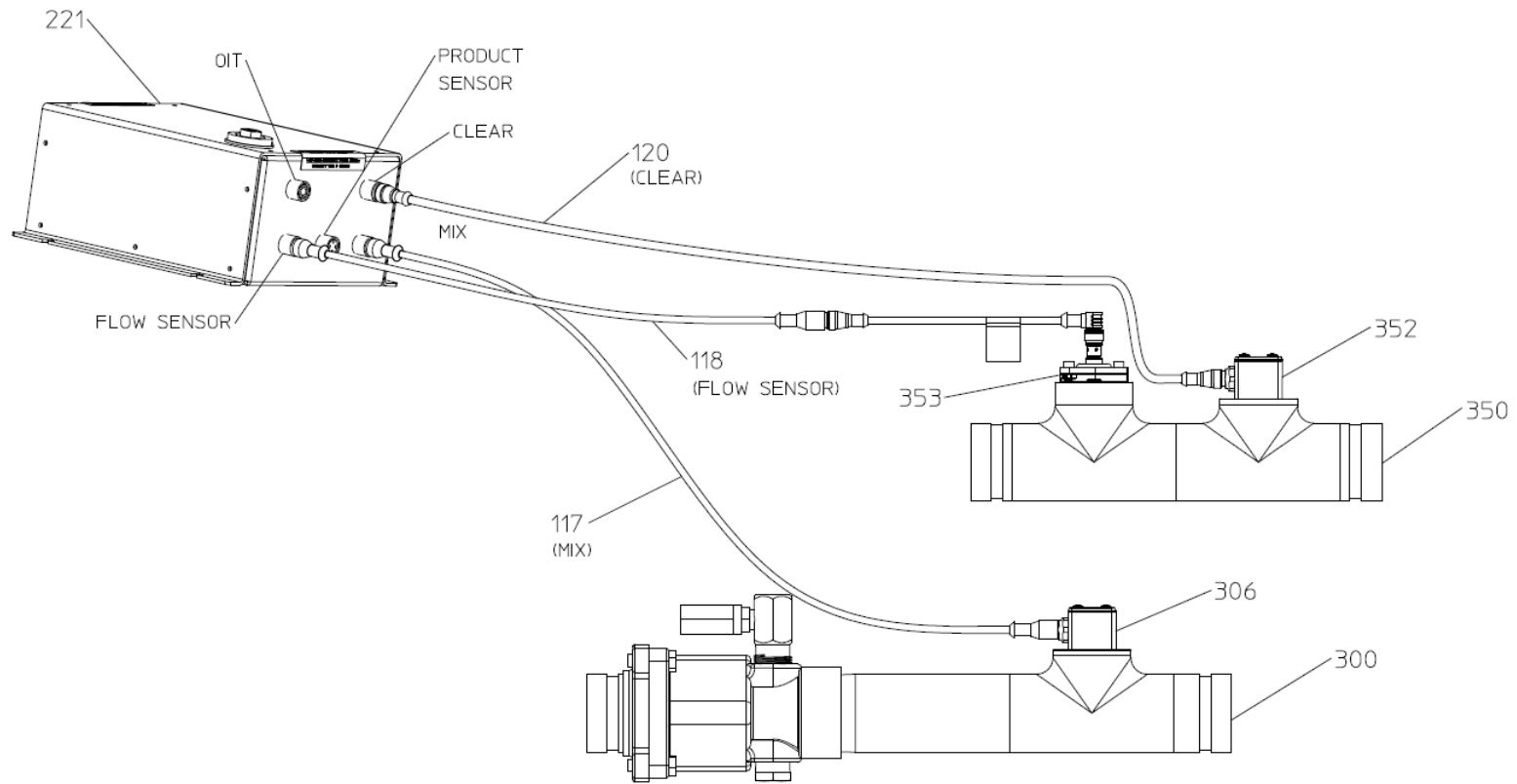


## FOAM MANIFOLD – COMPONENTS

## Foam Manifold - Cables

| REF NO. | DESCRIPTION                      |
|---------|----------------------------------|
| 117     | Gray Conductivity (Foam) Cable   |
| 118     | Flow Meter Cable                 |
| 120     | Black Conductivity (Clear) Cable |
| 221     | Control Box                      |
| 300     | Foam Manifold Assembly           |

| REF NO. | DESCRIPTION             |
|---------|-------------------------|
| 306     | Conductivity/Temp Probe |
| 350     | Clear Manifold Assembly |
| 352     | Conductivity Probe      |
| 353     | Flowmeter               |
|         |                         |

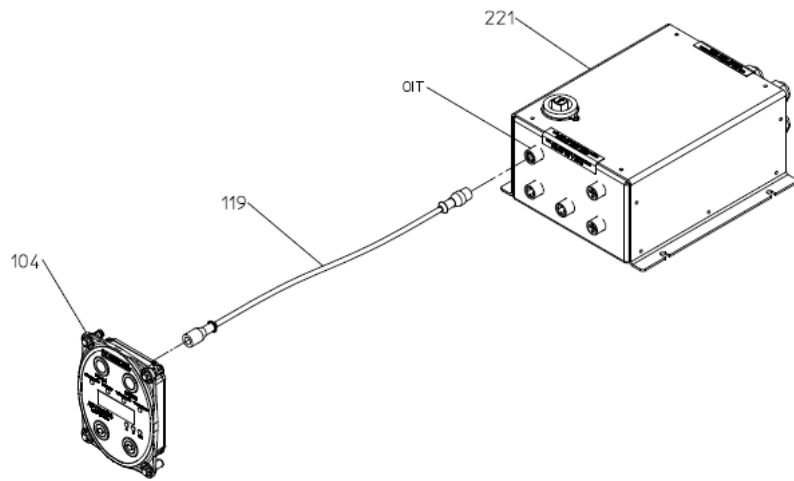


## FOAM MANIFOLD – CABLES

## Panel Components

| REF NO. | DESCRIPTION       |
|---------|-------------------|
| 104     | Advantus OIT      |
| 105     | Instruction Plate |
| 106     | Rating Plate      |
| 107     | Schematic Plate   |

| REF NO. | DESCRIPTION         |
|---------|---------------------|
| 110     | Warning Label       |
| 119     | OIT Cable, 6 Meters |
| 221     | Control Box         |
|         |                     |



OIT

NOTE: FOR OPTIONAL DUAL OIT. SEE SERVICE PARTS LIST SPL83459



PANEL PLATES

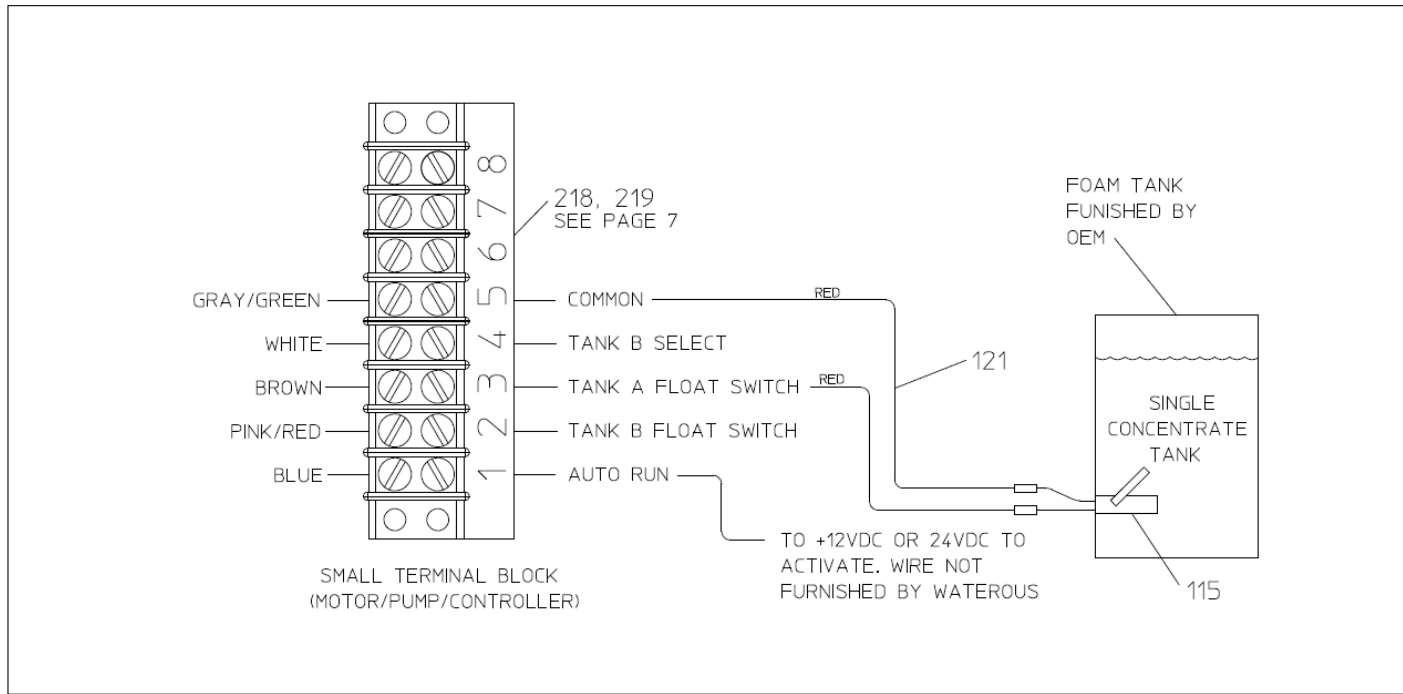
## PANEL COMPONENTS

## Foam Tank

| REF NO. | DESCRIPTION                       |
|---------|-----------------------------------|
| 115     | Tank Level Switch                 |
| 121     | Tank Level Switch Cable, 4 Meters |

| REF NO. | DESCRIPTION               |
|---------|---------------------------|
| 218     | 8 Position Terminal Block |
| 219     | Number Strip              |





NOTE: FOR OPTIONAL DUAL TANK SELECTOR KIT SEE SERVICE PARTS LIST SPL83440

## FOAM TANK