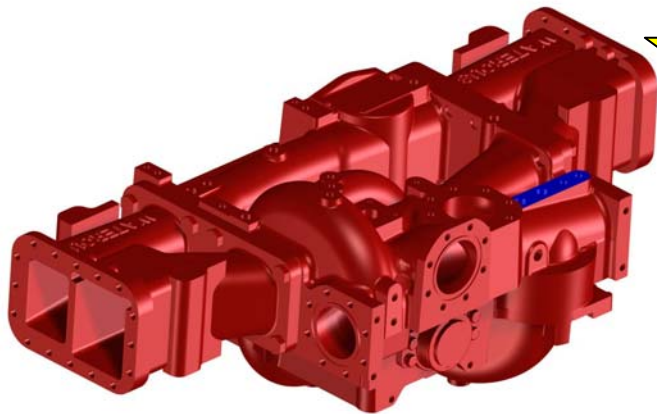


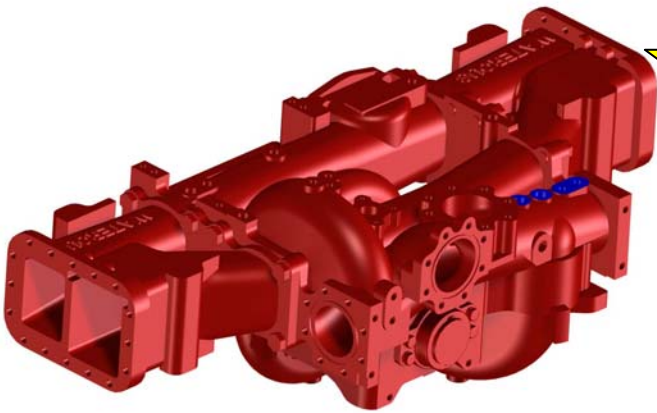
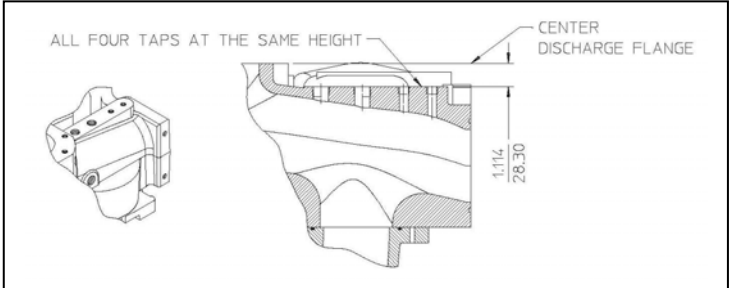
TECHNICAL BULLETIN No. 0102	Single-Stage Pump Body CS/CSU
--	--

Effective on March 2, 2009, all single-stage CS/CSU pump bodies shipped from Waterous will have the following changes:

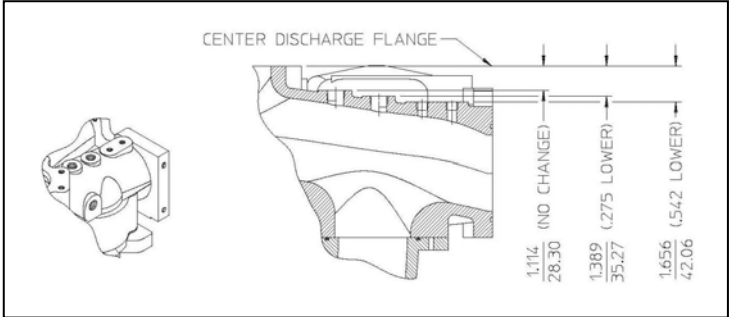
- Pump Body Dimension:** The discharge pressure (accessory/component) tapped port boss vertical height dimensions changed. The size and horizontal location of the taps are unchanged (see diagrams below).
- Pump Body and Intake Adapter Weight:** The weight of the single-stage CS/CSU pump body and intake adapters has been reduced by 122 lbs. (55 kg) compared to the existing CS/CSU body and intake adapters. Use this figure to recalculate the truck's center of gravity if necessary.



CS/CSU before March 1, 2009



CS/CSU after March 1, 2009



NOTE: The size and horizontal location of the taps is unchanged. Only the vertical height of the boss has changed.

NOTE: The information in this technical bulletin was current at the time of printing. Waterous reserves the right to change this information.