



THEN, NOW, ALWAYS. MOVING FORWARD.

SPECIFICATIONS – INDUSTRIAL: MODEL TPA
High-Strength, High-Performance Power Take-Off

The TPA transmission is designed to drive Waterous midship pumps off the ten-bolt, power take-offs (PTO) available on the left side of an Allison MD or HD automatic transmission. The largest capacity pump that can be driven with the TPA transmission depends on the maximum torque limits of the PTO's. The manufacturers of the PTO's should be consulted for the fire truck heavy duty power and speed ratings when selecting a pump/transmission combination to be used. Several different speed increasing ratios are available with the TPA transmission to accommodate various PTO drive applications. The TPA transmission body is made entirely of lightweight cast aluminum alloy. The shafts, sprockets and chain are steel. It utilizes the same proven chain design used in the dependable, Waterous C10 series pump transmissions. This design provides the smoothest and quietest transfer of power. The chain is lubricated by means of a passive oil system as well as the splash oil system. Ball bearings are used on the two shafts to provide smooth, long lasting service. The input shaft has a 1-1/2-10 SAE spline.



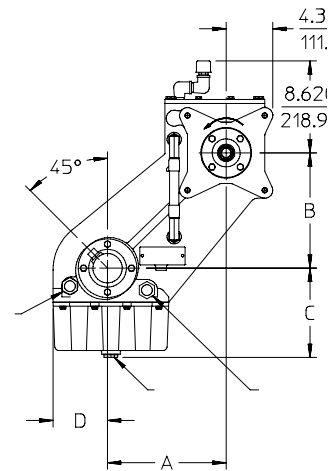
Specifications:

Case:
Cast aluminum alloy
Driveline:
1-1/2 -10 SAE spline
Output:
1-3/8 -10 SAE spline
Ratios:
1.71, 1.91, 2.05
Input Torque Limit:
600 ft-lb

Bearings:
Oil lubricated ball bearings throughout.
Gears: Constant mesh helical, alloy steel. All gears are crown shaved, carburized and hardened. The bores are precision ground.
Chain:
Morse H-V® high strength silent chain
Lubrication:
Passive lubrication system eliminates need for a separate oil pump.
Tachometer:
Electric Tachometer Sensor (standard).

Approximate Dimensions and Weights:

Ratio	A (in/mm)	B (in/mm)	C (in/mm)	D (in/mm)	Weight (lb/kg)
1.71	11.364 / 288.65	11.020 / 279.92	8.169 / 207.49	4.886 / 124.11	106 / 48
1.91	11.438 / 290.53	11.092 / 281.73	8.098 / 205.68	4.812 / 122.22	
2.05	11.142 / 283.00	10.816 / 274.72	8.373 / 212.68	5.108 / 129.75	



ALL DIMENSIONS SHOWN AS INCH/MILLIMETER
 (INCH / MILLIMETER)

Industry-Leading Sales and Support

When you purchase Waterous equipment, not only do you get quality products, you get quality service. Our expert service technicians are the best in the business and they are always happy to answer any service questions you might have.

Sales/Applications Assistance
 Phone: 651-450-5234 (Press 3)
 pumpsales@waterousco.com

Service Assistance
 Phone: 651-450-5200
 Fax: 800-488-1228
 service@waterousco.com