

SPECIFICATIONS – MOTOR PUMPS: PB18-LE



Use Your Engine on our PB18 Pump

Waterous has made available our PB18 Series Portable Pumps without engines. This will enable you to mate the PB18 pump with the engine of your choice using an SAE J609 mounting flange with a special shaft arrangement (see next page).

All models are available with a Waterous hand primer or exhaust primer. (Note: Exhaust primer available for Briggs & Stratton V-Twin engines only). Other optional discharge valves, elbows and fittings are available as listed under each model name.

Waterous offers a 90-day warranty on the PB18-LE models, unless the pump components have been modified in any way.

Models:

PB18-2515-LE Pump Specifications:

Type:

Combination

Intake:

2-1/2 inch female NPT

Optional Discharge:

- Ball valve with 1-1/2 inch male NH thread (2515B)
- Ball valve with 1-1/2 inch female NPT (2515B)
- 1-1/2 inch female NPT (2515F) (No Ball Valve)

PB18-3030-LE Pump Specifications:

Type:

Transfer - Supply

Intake:

3 inch female NPT

Optional Discharge:

- 3 inch female NPT with check valve (3030C)
- 3 inch female NPT, forward facing, no check valve (3030E)

PB18-4025-LE Pump Specifications:

Type:

Transfer - Supply

Intake:

4 inch male, British round thread with cap and chain

Optional Discharge:

- 2-1/2 inch British instantaneous coupling with ball valve
- High-strength stainless steel.

PB18-G2015-LE Pump Specifications:

Type:

Wildland - Attack

Gear Case:

Two-gear speed increaser utilizing high strength aluminum alloy case, helical cut, hardened steel gears and anti-friction bearings throughout.

Intake:

2 inch female NPT.

Optional Discharge:

- Ball valve with 1-1/2 inch female NPT (G2015B)
- 1-1/2 inch female NPT, no ball valve (G2015F)

Accessories:

Primer - Exhaust type or manual hand type

Warranty

Waterous 90-Day Limited Warranty

Conditions of Sales

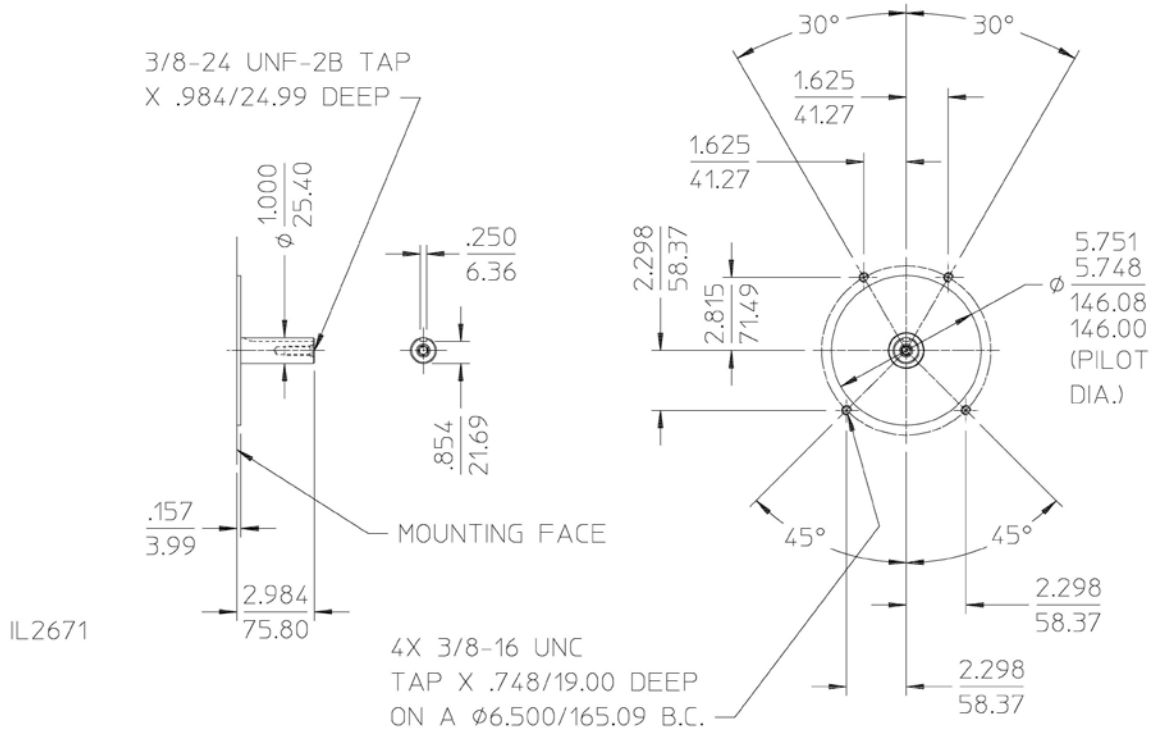
For details on Waterous Condition of Sales, refer to F-2190, *Conditions of Sales* located on the Waterous web site at www.waterousco.com or by contacting Waterous.



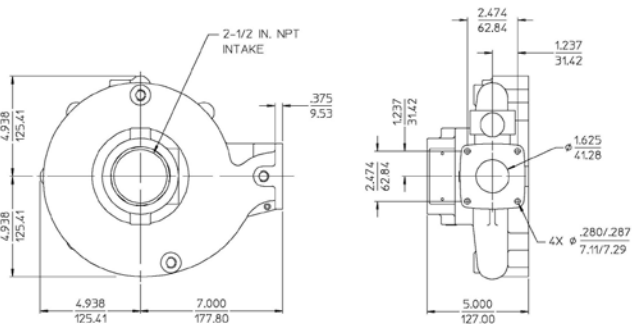
THEN, NOW, ALWAYS. MOVING FORWARD.

SPECIFICATIONS – MOTOR PUMPS: PB18-LE

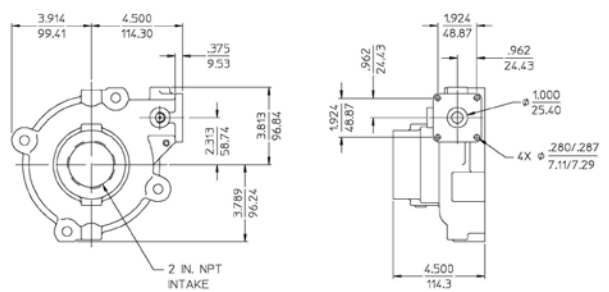
Required Engine Mounting Configuration



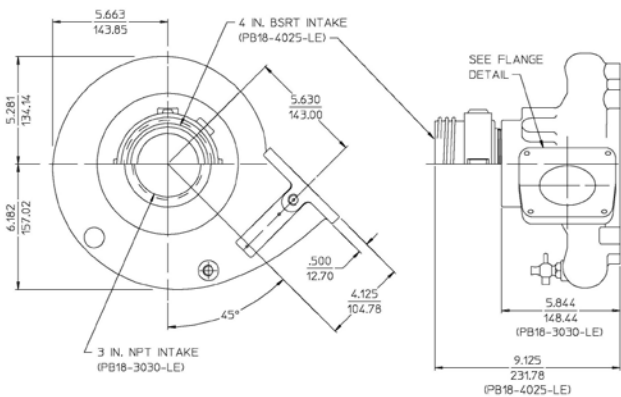
Pump Dimensions



MODEL PB18-2515-LE



MODEL PB18-G2015-LE



MODEL PB18-3030-LE & PB18-4025-LE

IL2678

ALL DIMENSIONS SHOWN IN INCH/MILLIMETER
(INCH / MILLIMETER)