



FOAM SYSTEMS

CAFSystems™

FIRE PUMPS

ACCESSORIES

Intake Relief Valve



The Waterous Intake Relief Valve system is designed to act as a safety valve by "dumping" excess pressure from the inlet side of the pump. The Discharge Relief Valve provides sensitive pump control to protect firefighters from sudden pressure surges resulting from changes in discharge flows from the pump.

SPECIFICATIONS – ACCESSORIES: INTAKE RELIEF VALVE

Pressure Control

The Waterous Intake Relief Valve system is designed to act as a safety valve by “dumping” excess pressure from the inlet side of the pump.

Description:

The Waterous Intake Relief Valve system makes it less likely that “water hammer” will burst the supply line, and allows the discharge relief valve or governor system to properly control discharge pressure.

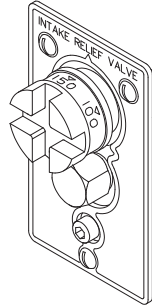
The Waterous Intake Relief Valve system incorporates two separate units for ultimate flexibility in installation and operation: the pilot valve and the main valve. The pilot valve controls operation of the main valve and can be panel mounted to be easily field adjusted for varying operating conditions, or compartment mounted and preset for a specific pressure. It includes a removable strainer and removable needle valve for easy servicing.

The main valve is a sliding piston type valve mounted on the pump inlet, with its outlet terminating in a 2-1/2 inch Victaulic® connection which the apparatus builder can pipe to an appropriate location. Being pilot valve controlled, it can go from closed to full open with very small pressure rise in the pump inlet.

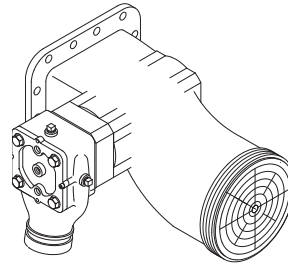
Special Features

Among the features that make the Waterous intake relief valve system reliable and simple to use and maintain are:

- Corrosion resistant bronze and stainless steel used in all critical areas throughout the system.
- Easily serviced with strainer and needle valve readily accessible on panel.
- Smooth turning adjustment knob with “cross-slot” to accommodate a spanner wrench or similar flat tool.
- Calibrated from 50 psi to 250 psi.
- Remote mounted pilot valve for quick response and flexibility in installation.
- Relief valve installed and tested by pump manufacturer.



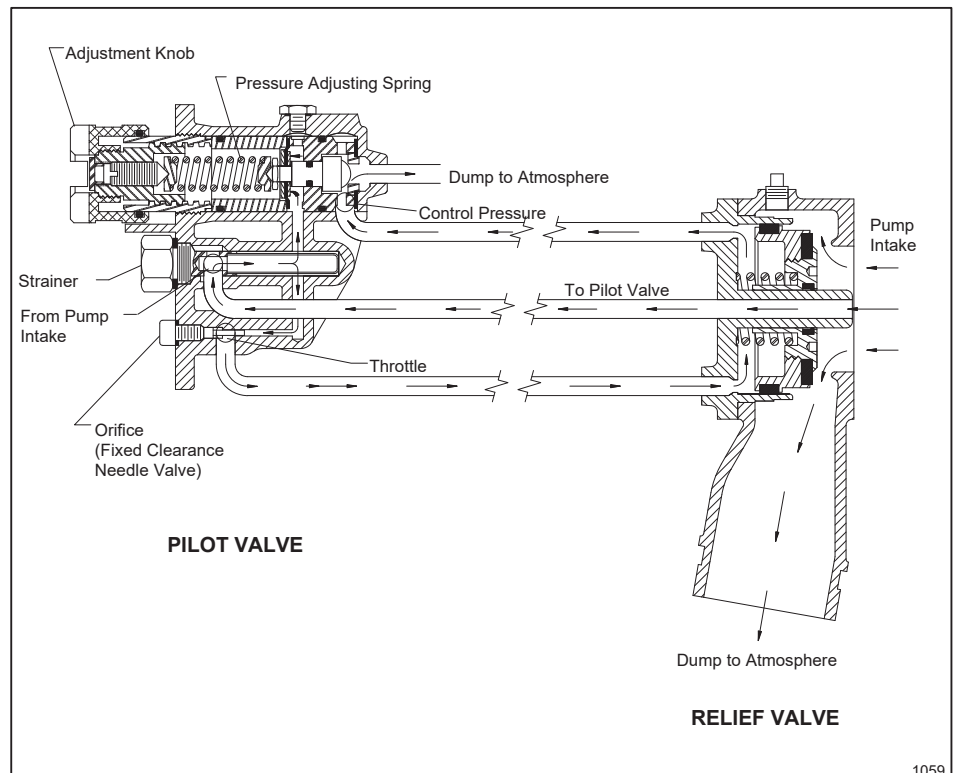
PILOT VALVE:
Mounted on the pump control panel.



RELIEF VALVE:
Mounted on pump suction fitting.



RELIEF VALVE OUTLET WARNING PLATE



1059