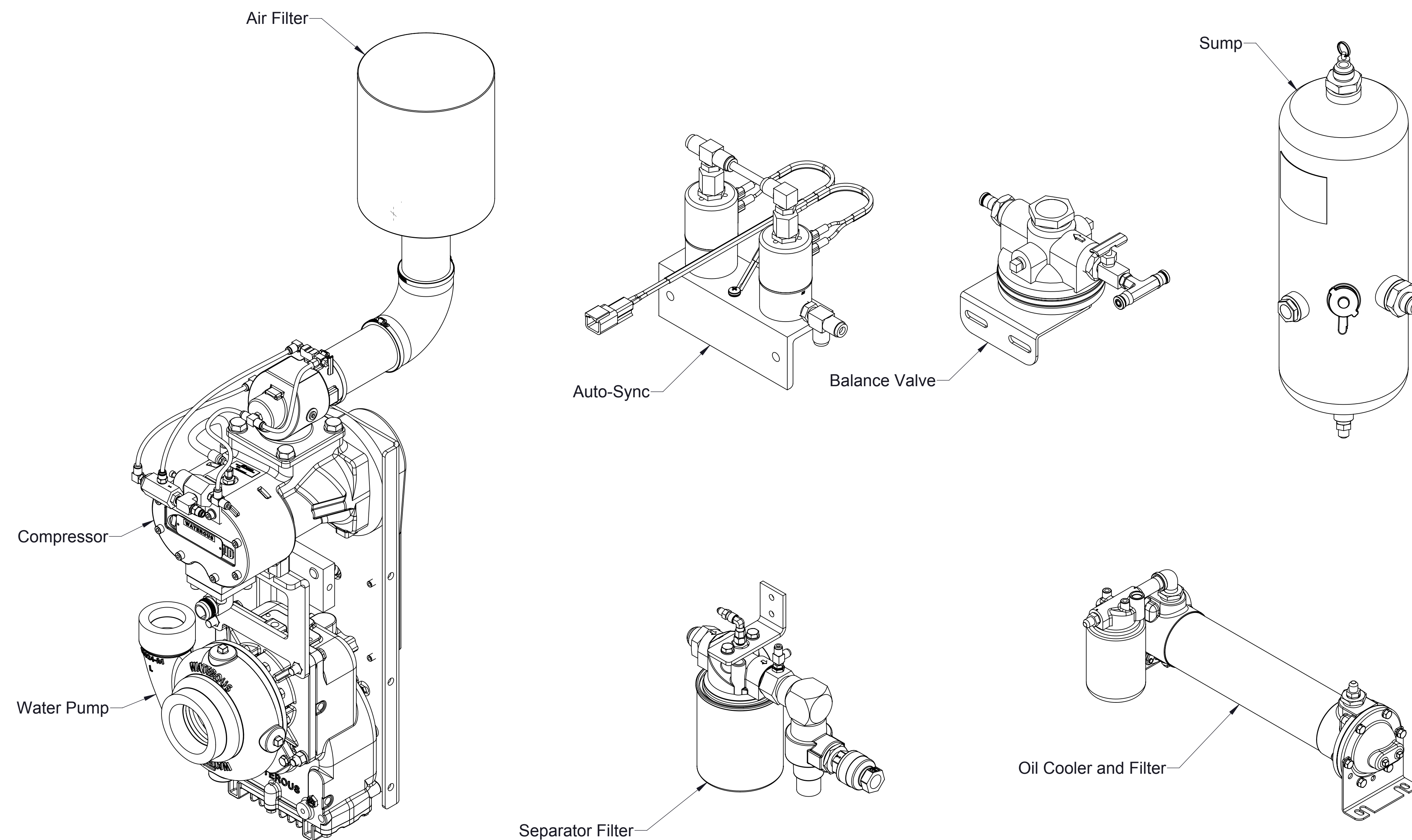
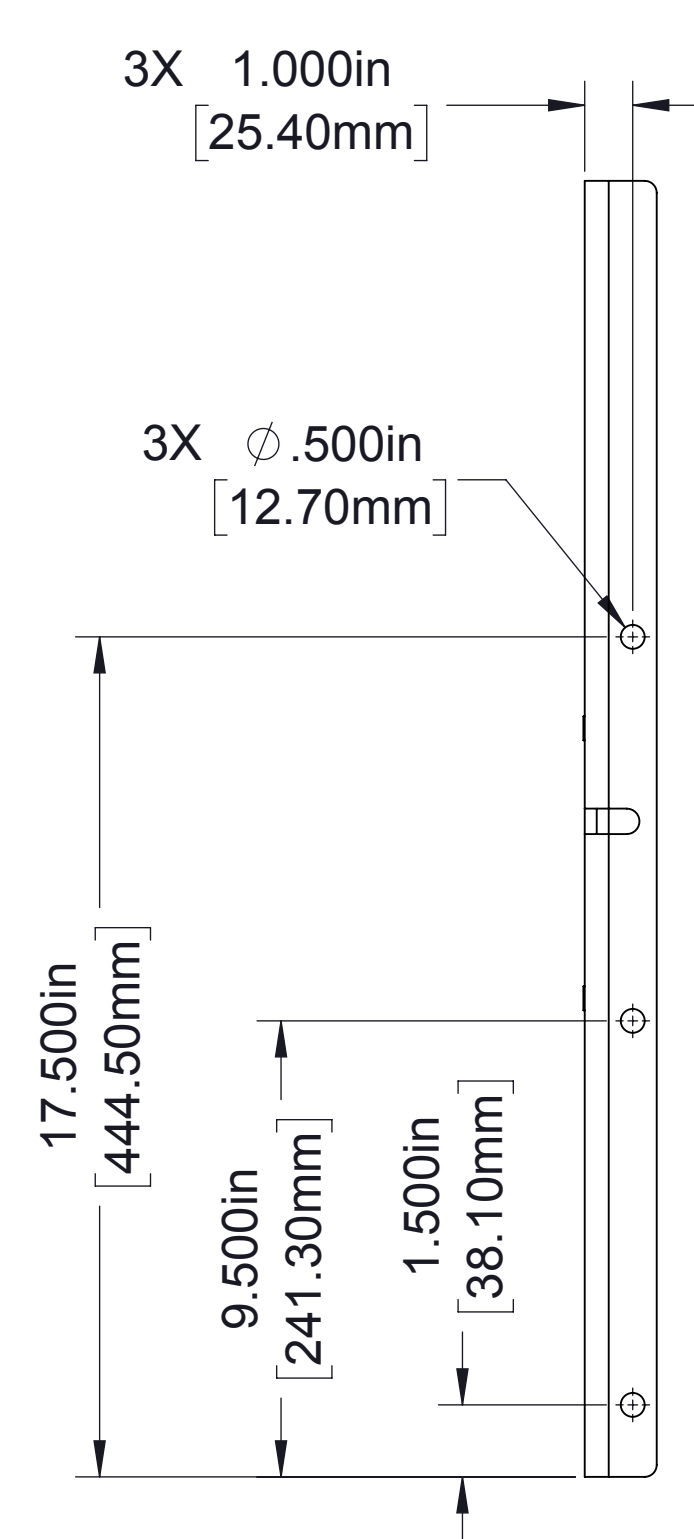


PTO Compressor System Dimensional Drawings

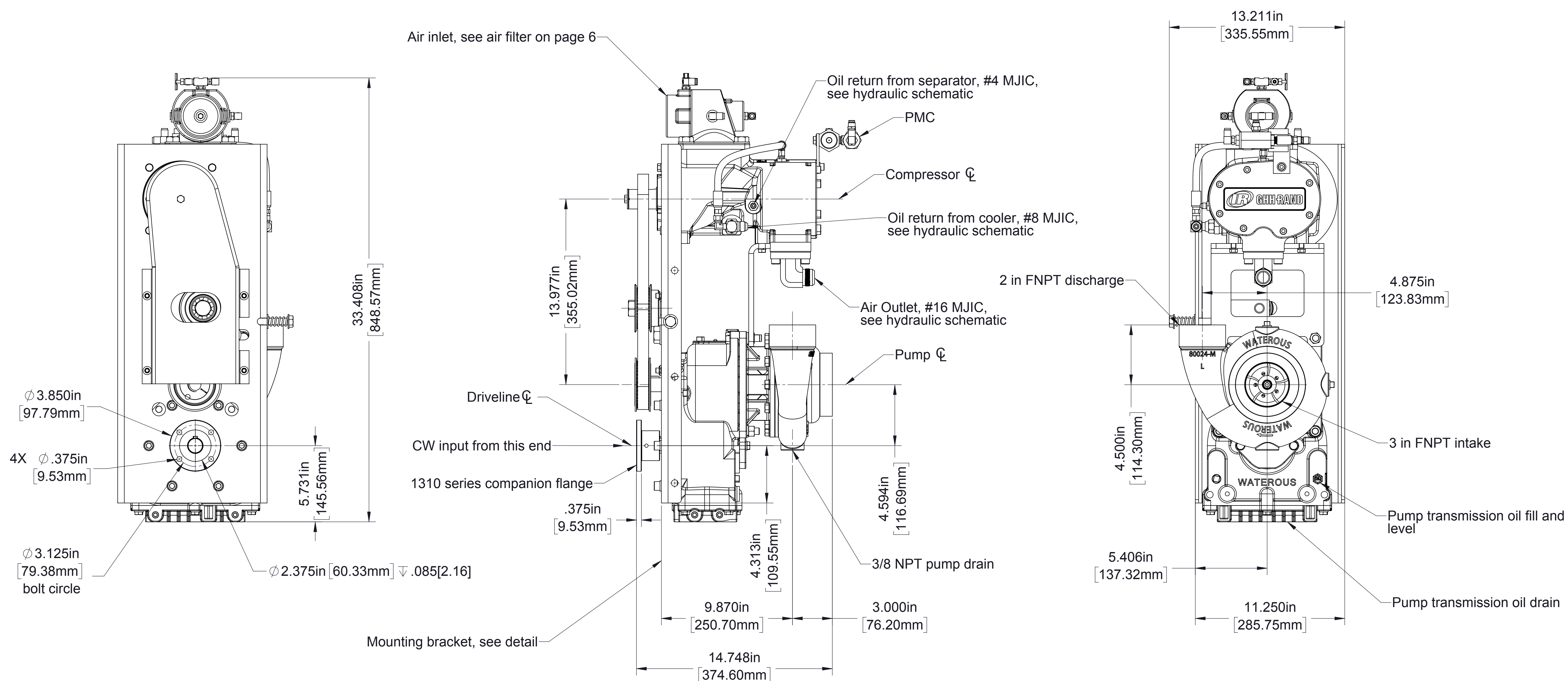
Models 250-100-P and 250-120-P Includes fire pump model CPK-2



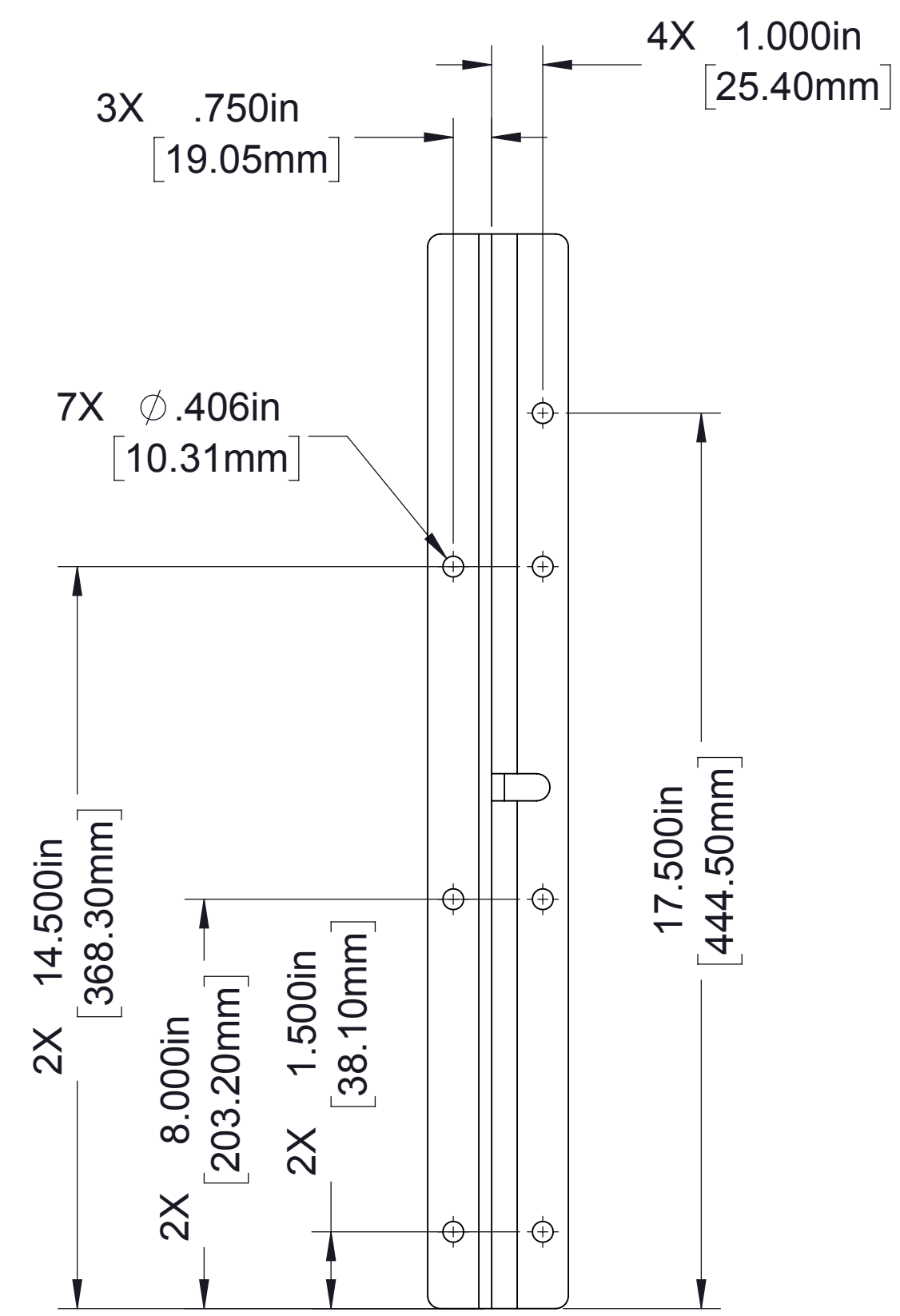
Standard Components:	Page
• Compressor and Water Pump	
• Vertical Mounted Transmission	2
• Left Mounted Transmission	3
• Sump (Oil Reservoir)	4
• Oil Cooler and Filter	5
• Air Filter	6
• Separator Filter	6
• Auto-Sync	7
• Balance Valve	7
• Oil Temperature Gauge	7
• Panel Plates	7
Optional Components:	
• Air Oil Cooler (Electric Fan)	8
• Air Distribution Manifold	9
• Auxiliary Air Connection	10
• Air Pressure Gauge	11
• Digital Flow Meter	11
• Sump Vent	11
• Oil Inject Check Valve	See DPL83810
• Hose and Fitting Kit	See DPL83810
CAF Discharge:	
• Air Discharge Check Valve Kits	See DPL83477
• ICS Valves	See DPL83478
• Static Mixers	See DPL83603
• Manifolds	See DPL83682
Foam Pumps:	
• Models Aquis 1.5, 3.0 or 6.0	See F-1031-2447
Schematics:	
• Hydraulic	12
• Air Circuit	13
• Electrical	14



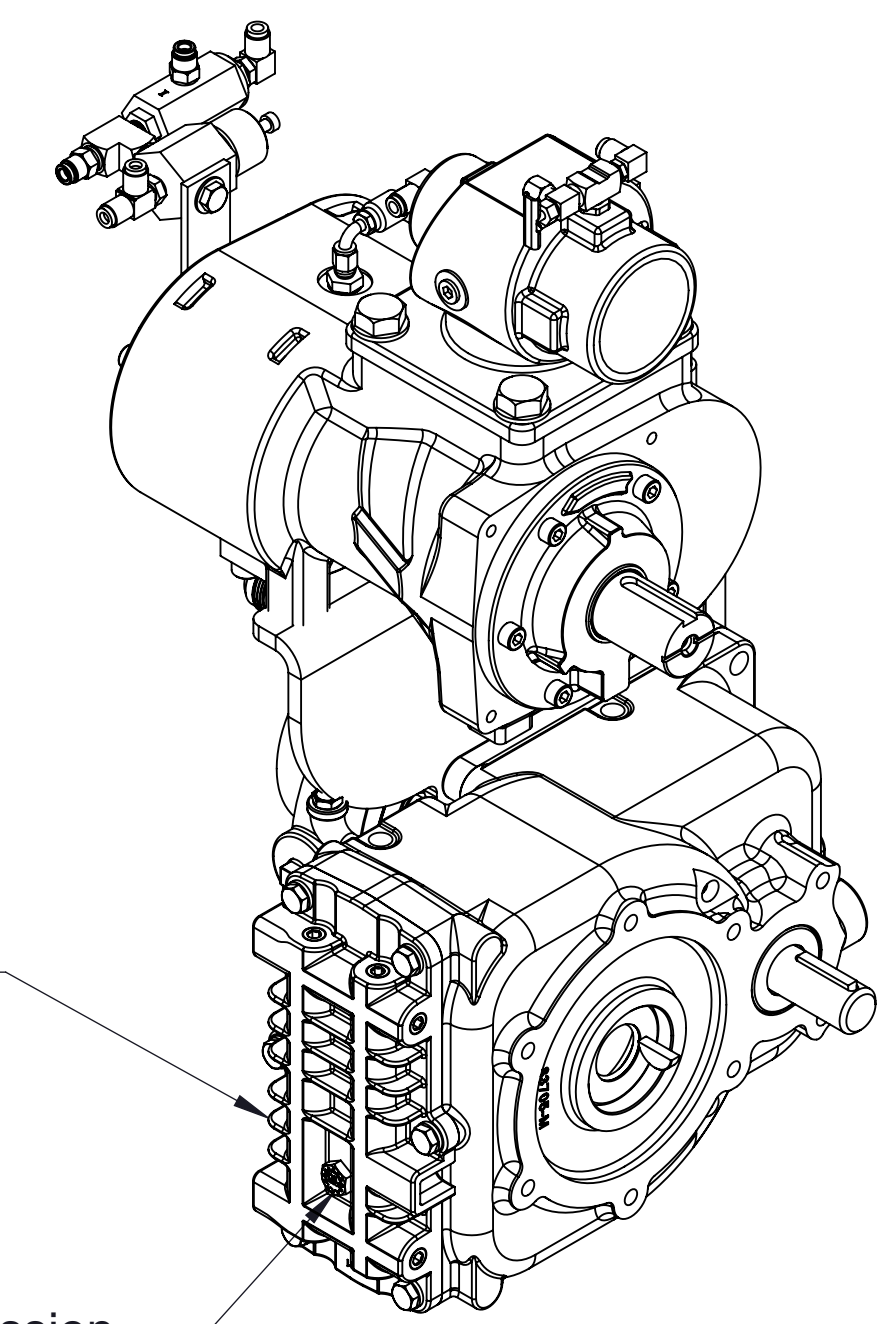
Mounting Bracket Detail
(Both Sides)



Compressor and Water Pump
(K Transmission, Mounted Vertical)

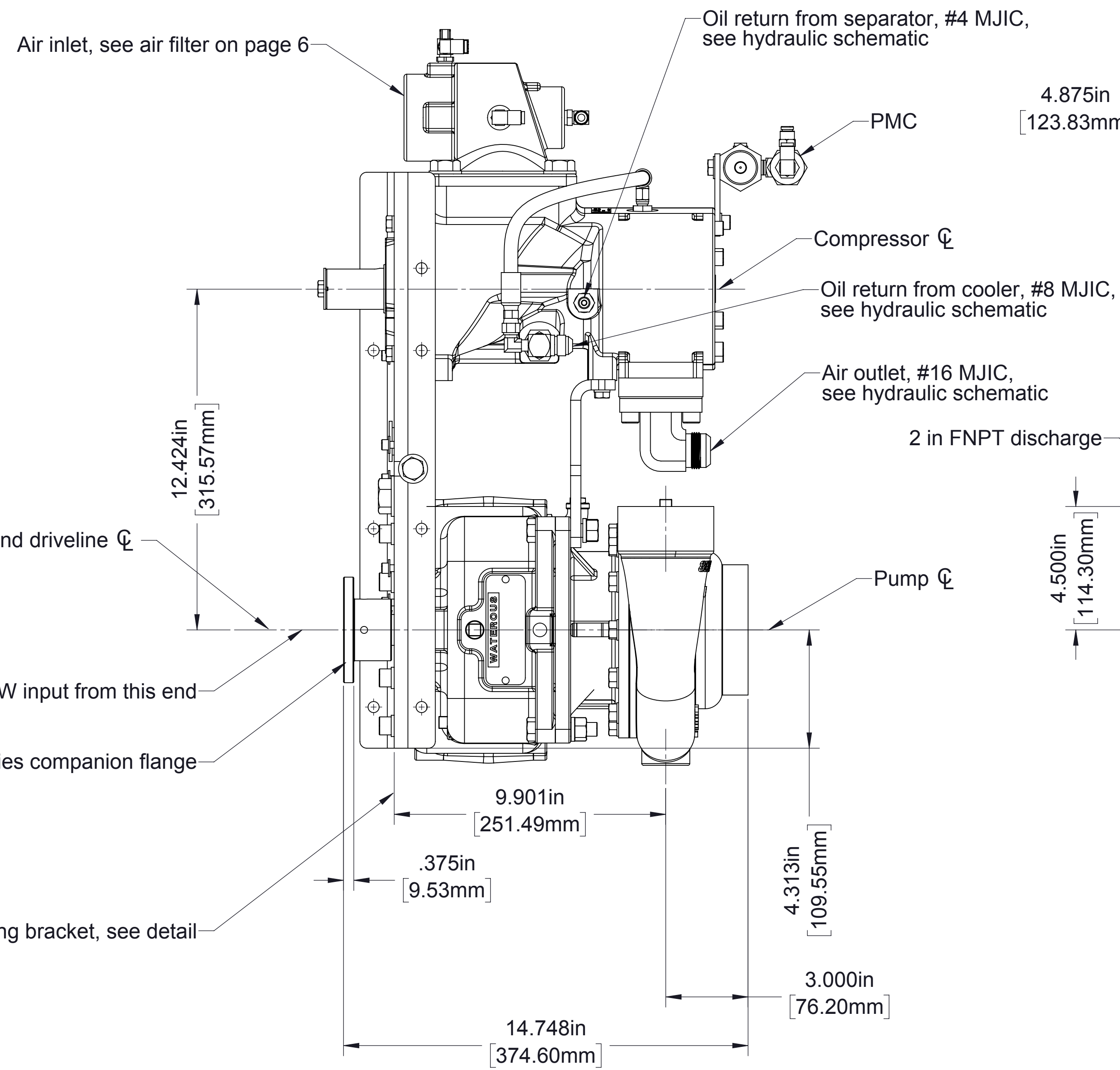
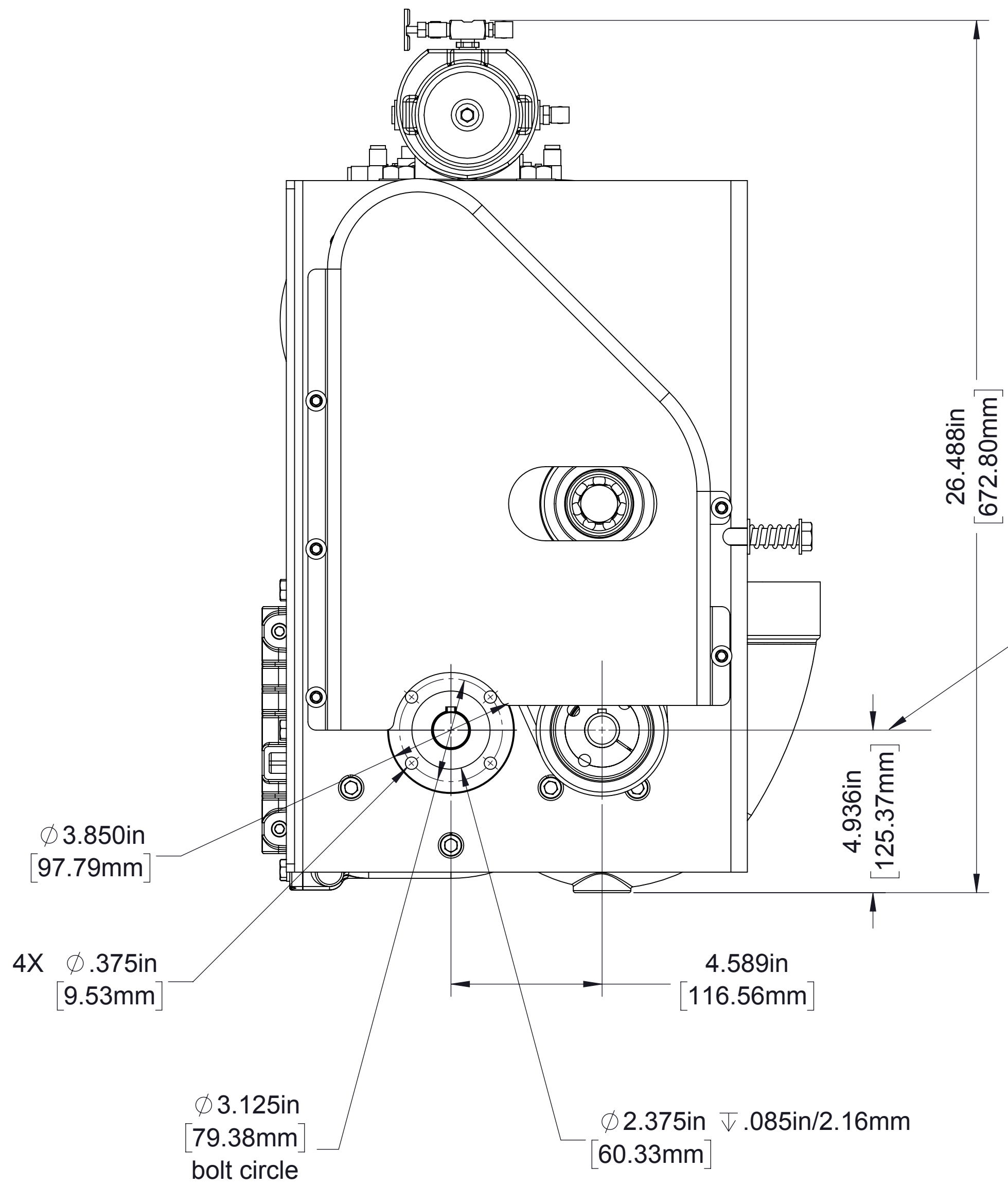


Mounting Bracket Detail



Pump transmission oil drain

Pump transmission oil fill and level



4.875in [123.83mm]

Compressor Ø

Oil return from cooler, #8 MJIC, see hydraulic schematic

Air outlet, #16 MJIC, see hydraulic schematic

2 in FNPT discharge

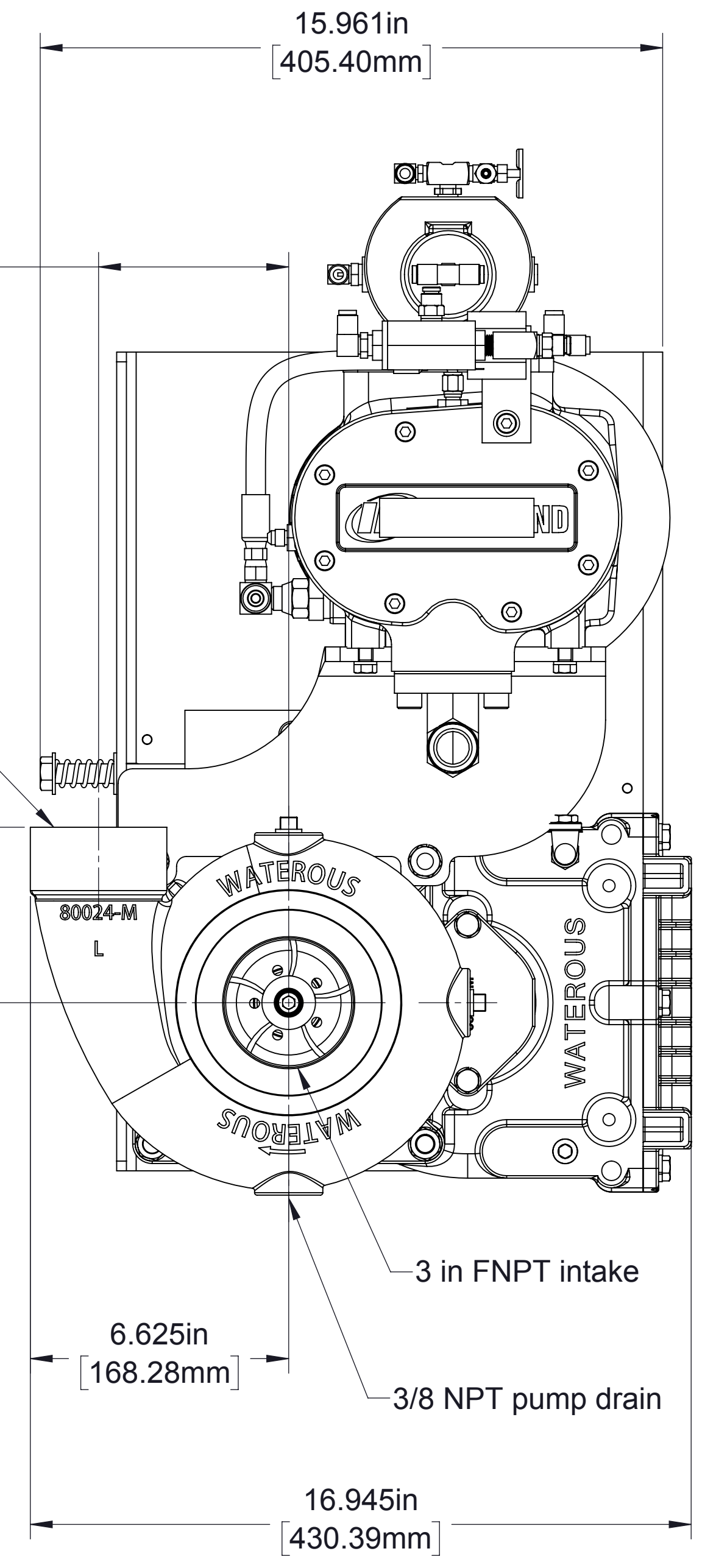
Pump Ø

Input and driveline Ø

CW input from this end

1310 series companion flange

Mounting bracket, see detail



15.961in [405.40mm]

4.875in [123.83mm]

4.500in [114.30mm]

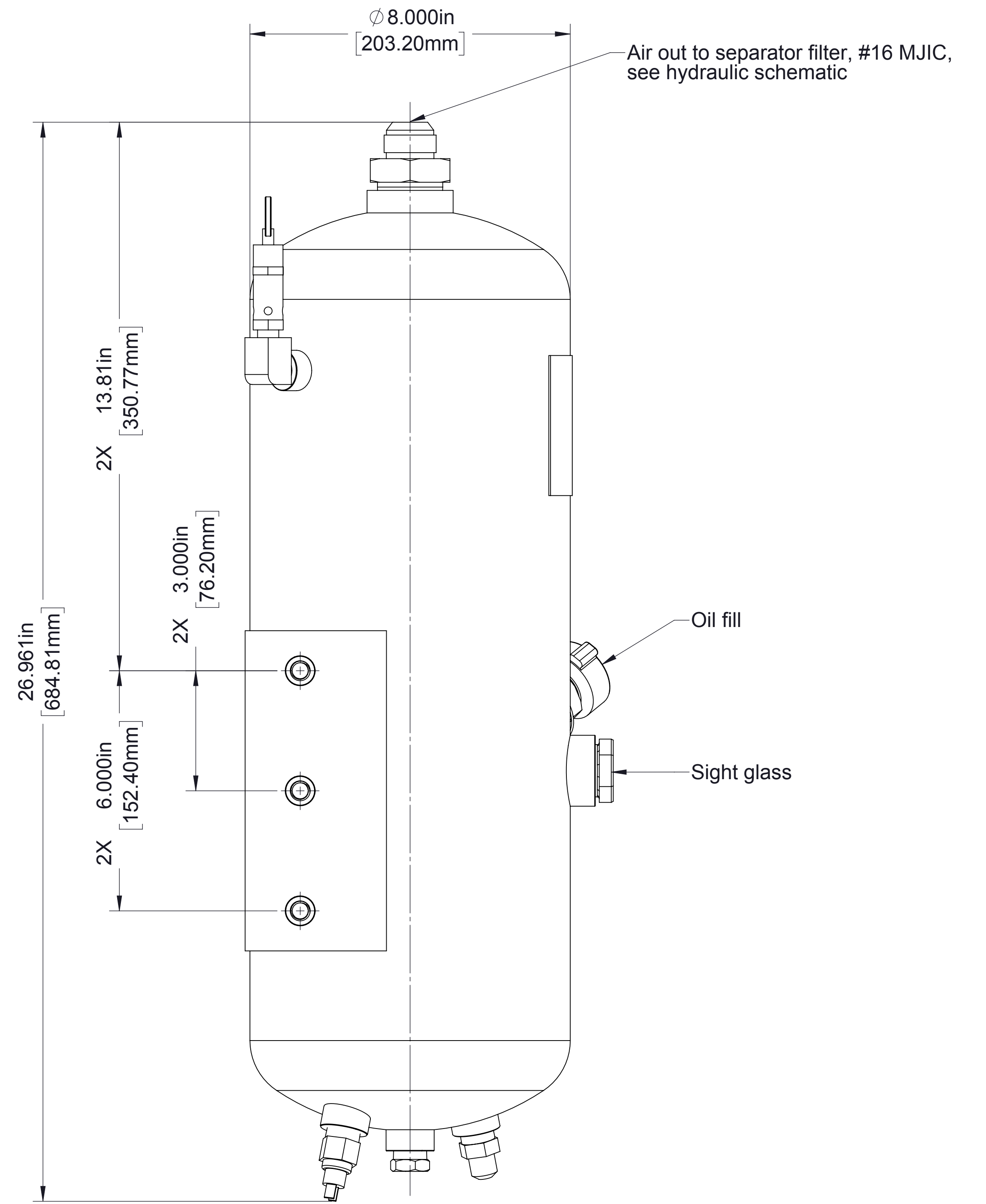
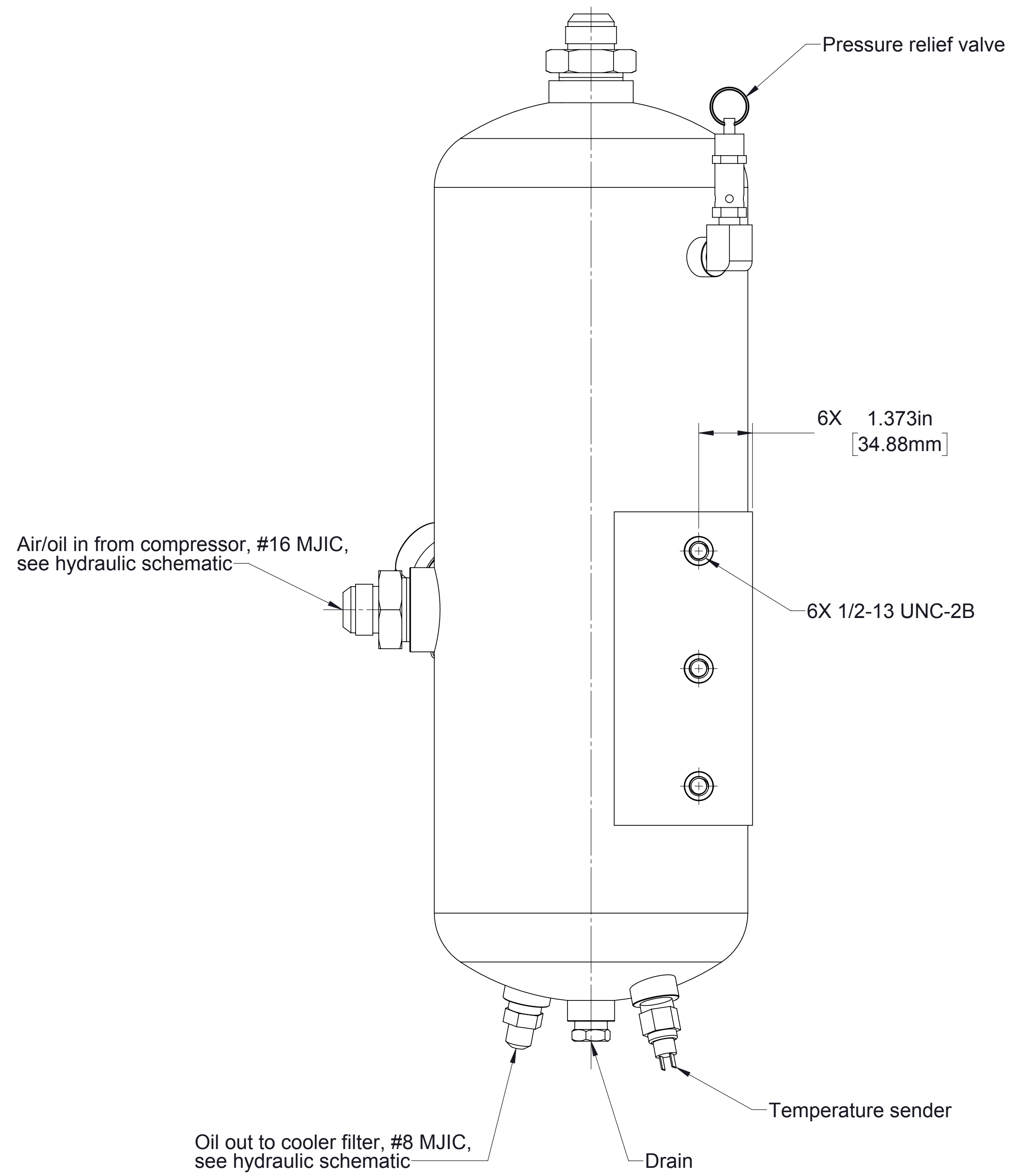
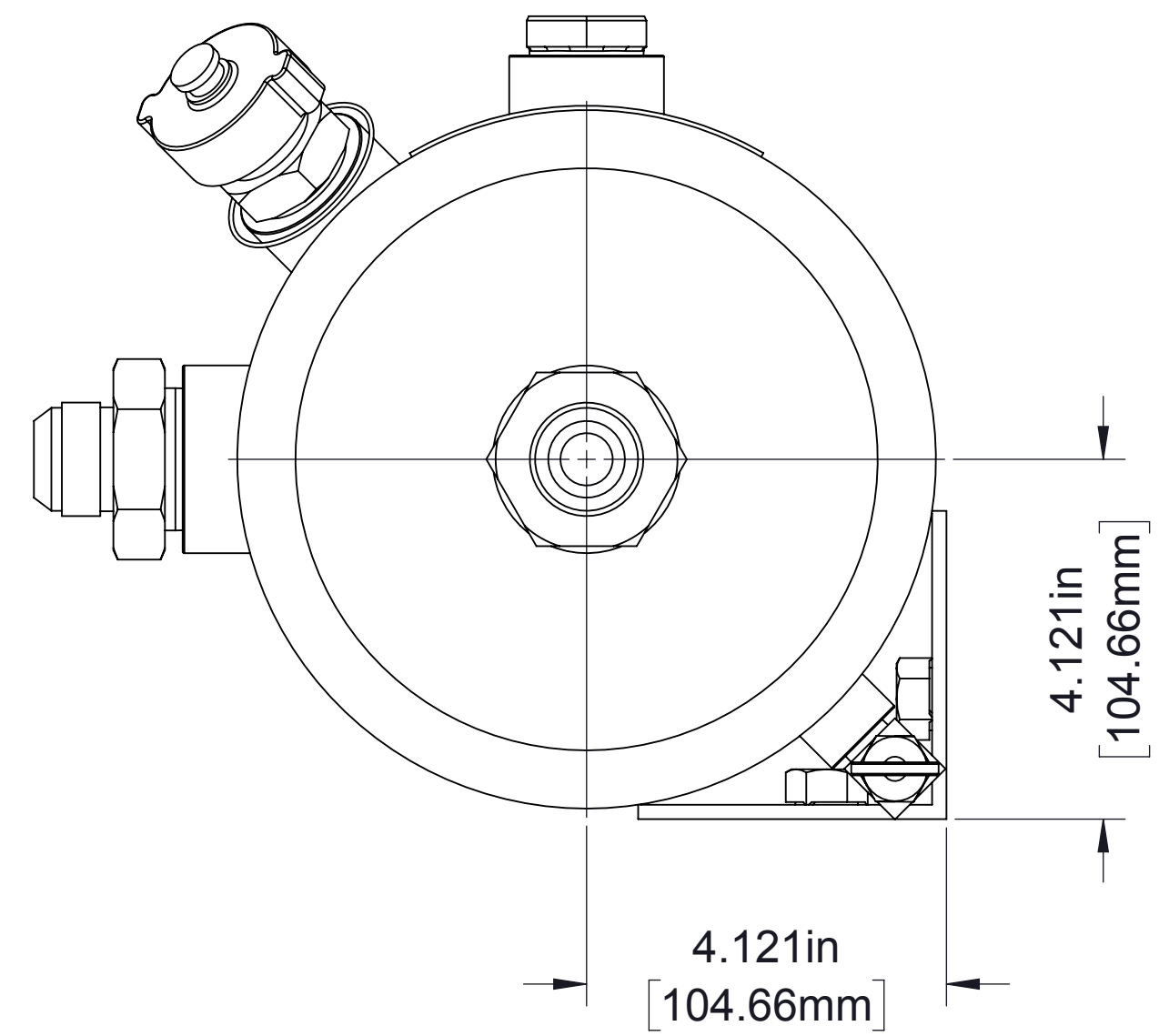
6.625in [168.28mm]

16.945in [430.39mm]

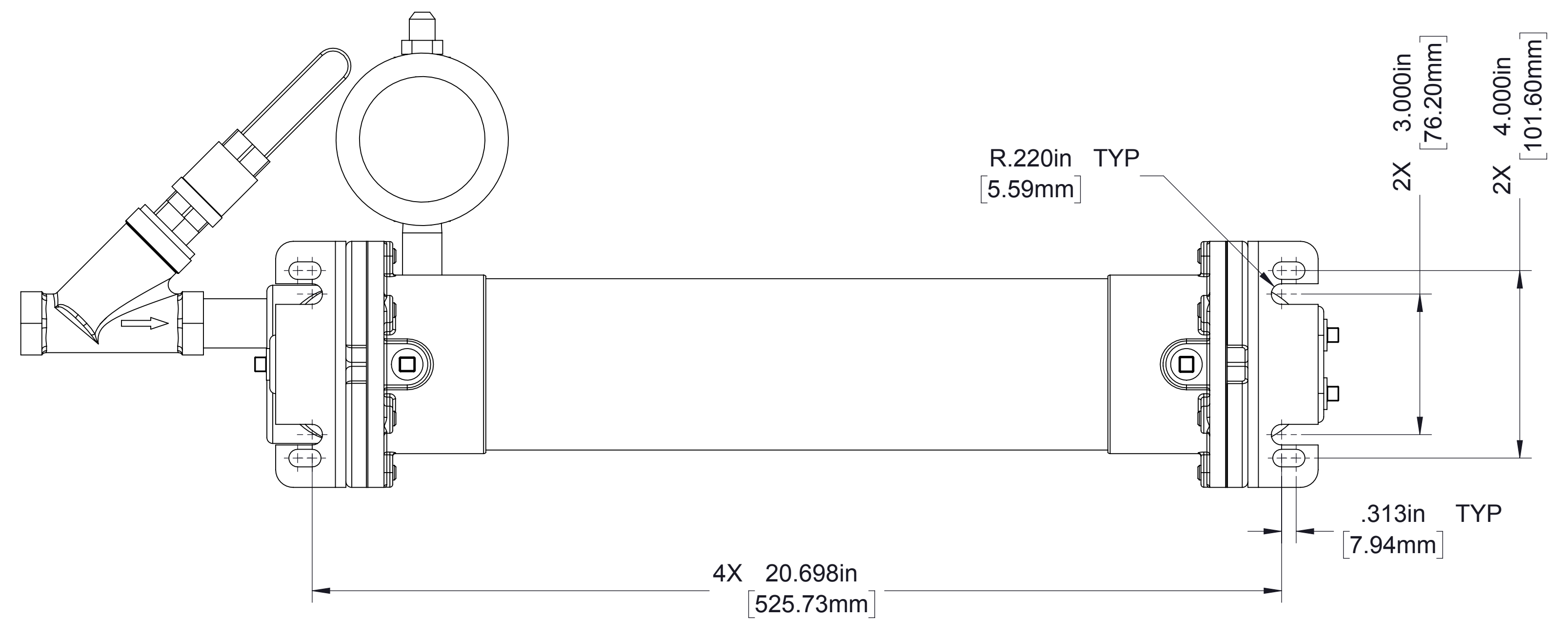
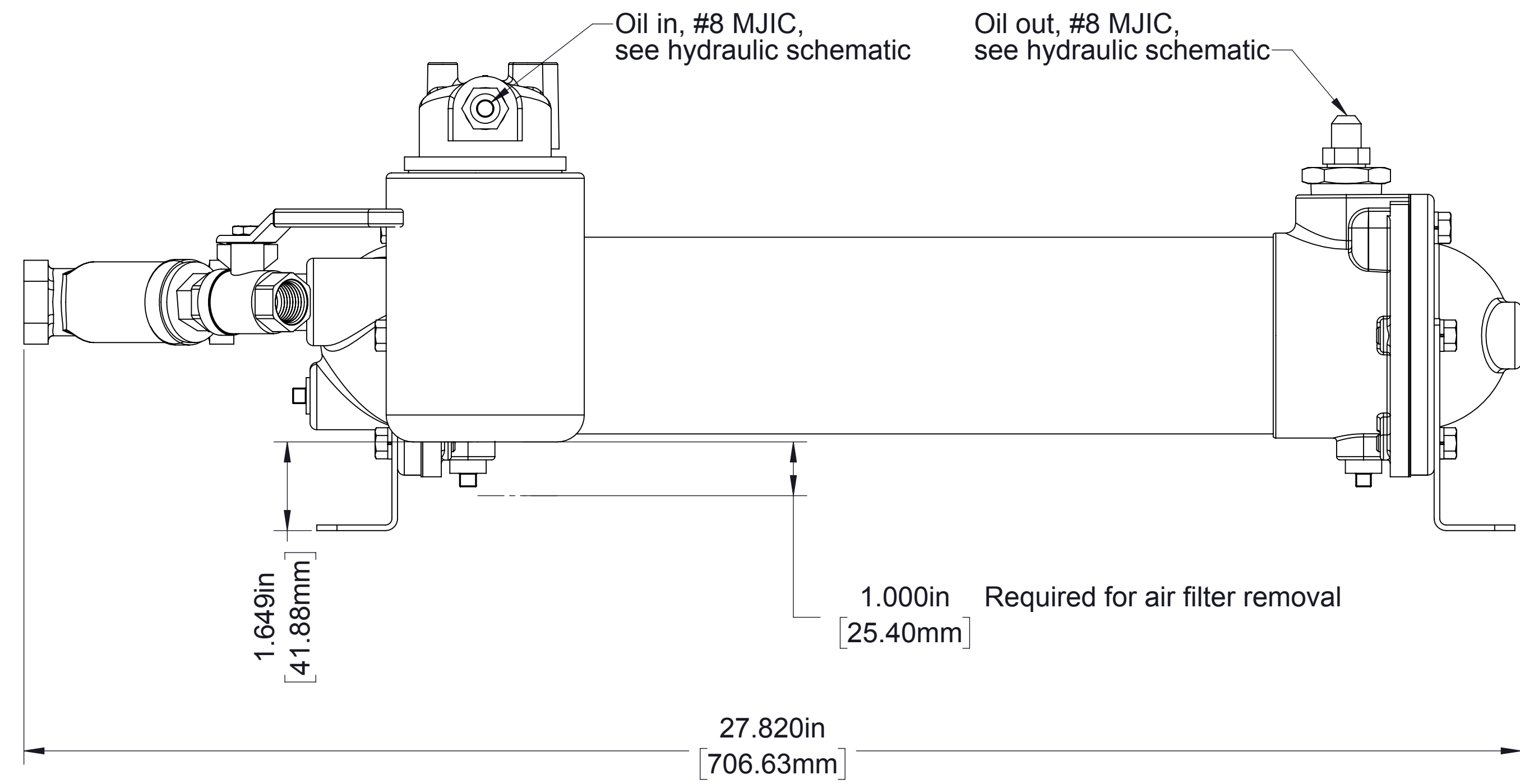
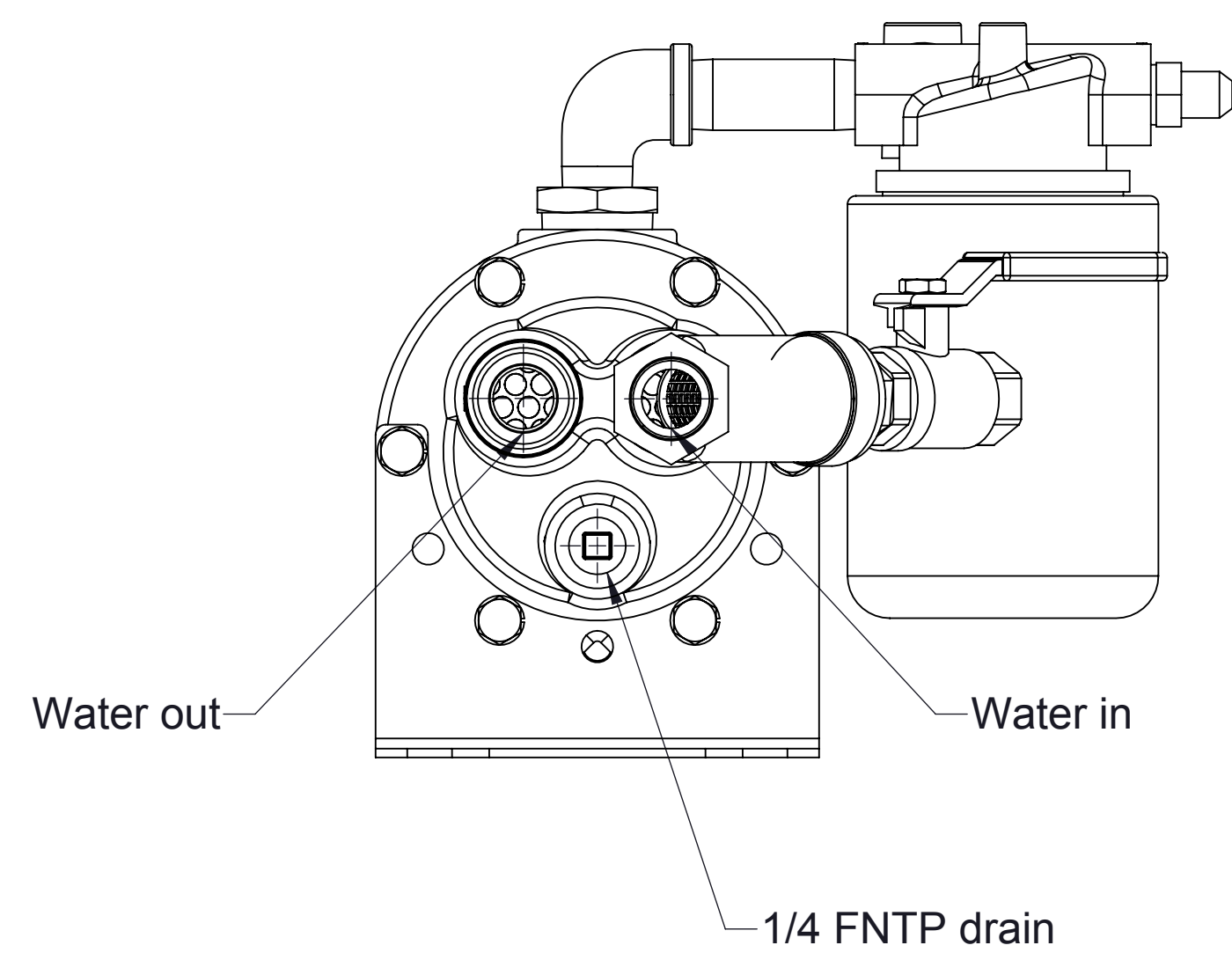
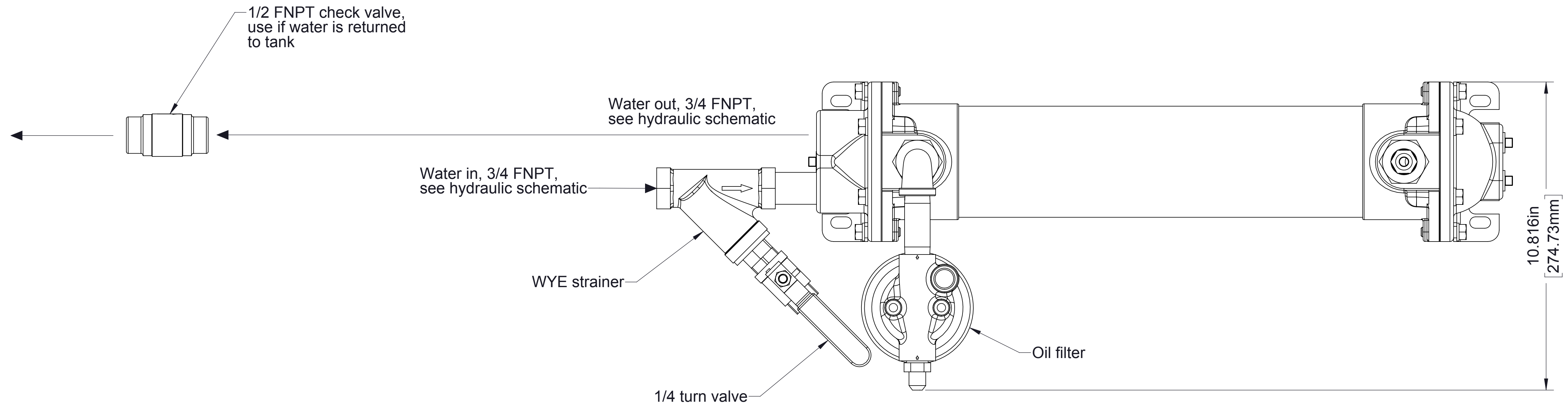
3 in FNPT intake

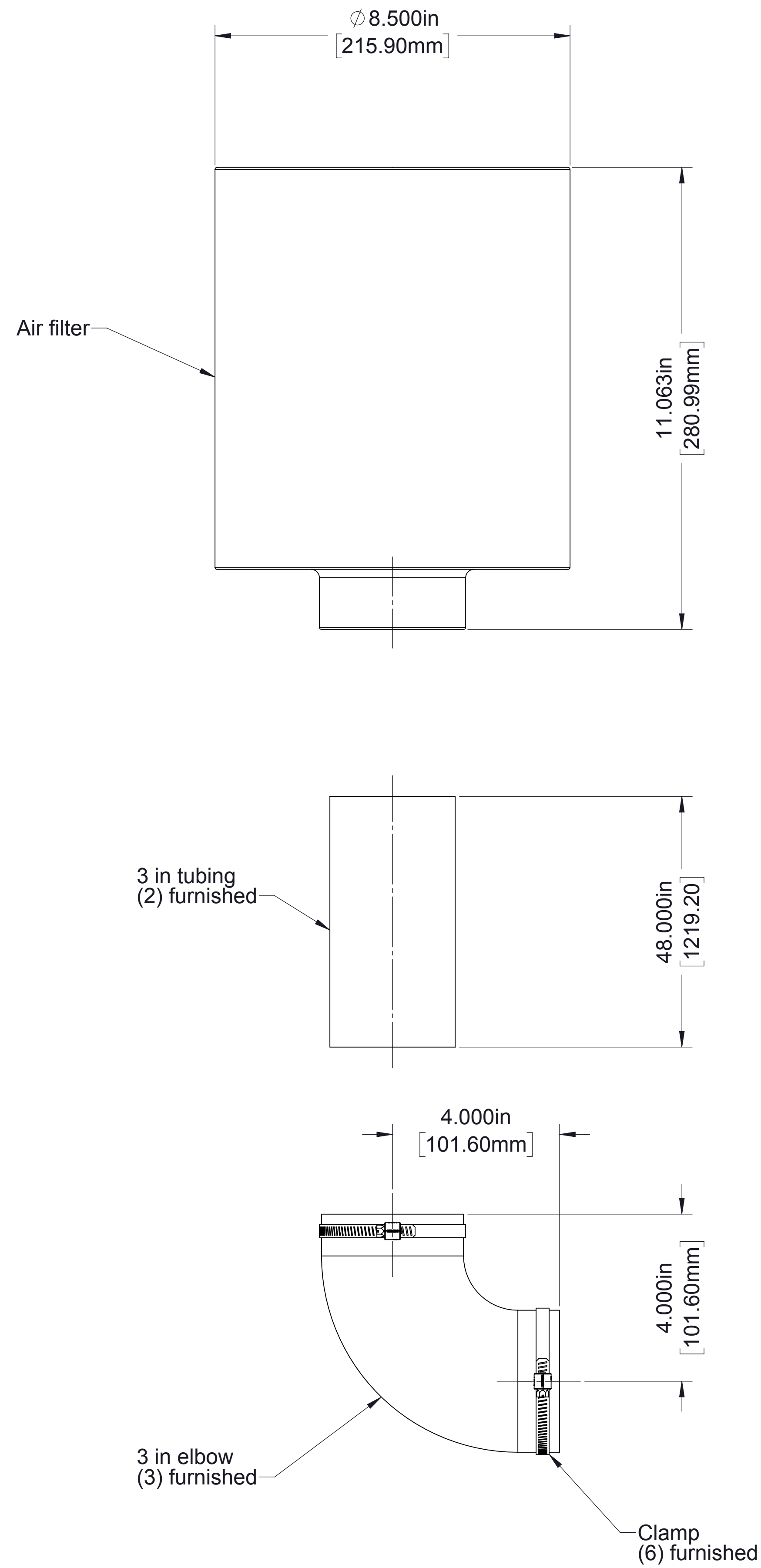
3/8 NPT pump drain

Compressor and Water Pump
(K Transmission, Mounted Left)

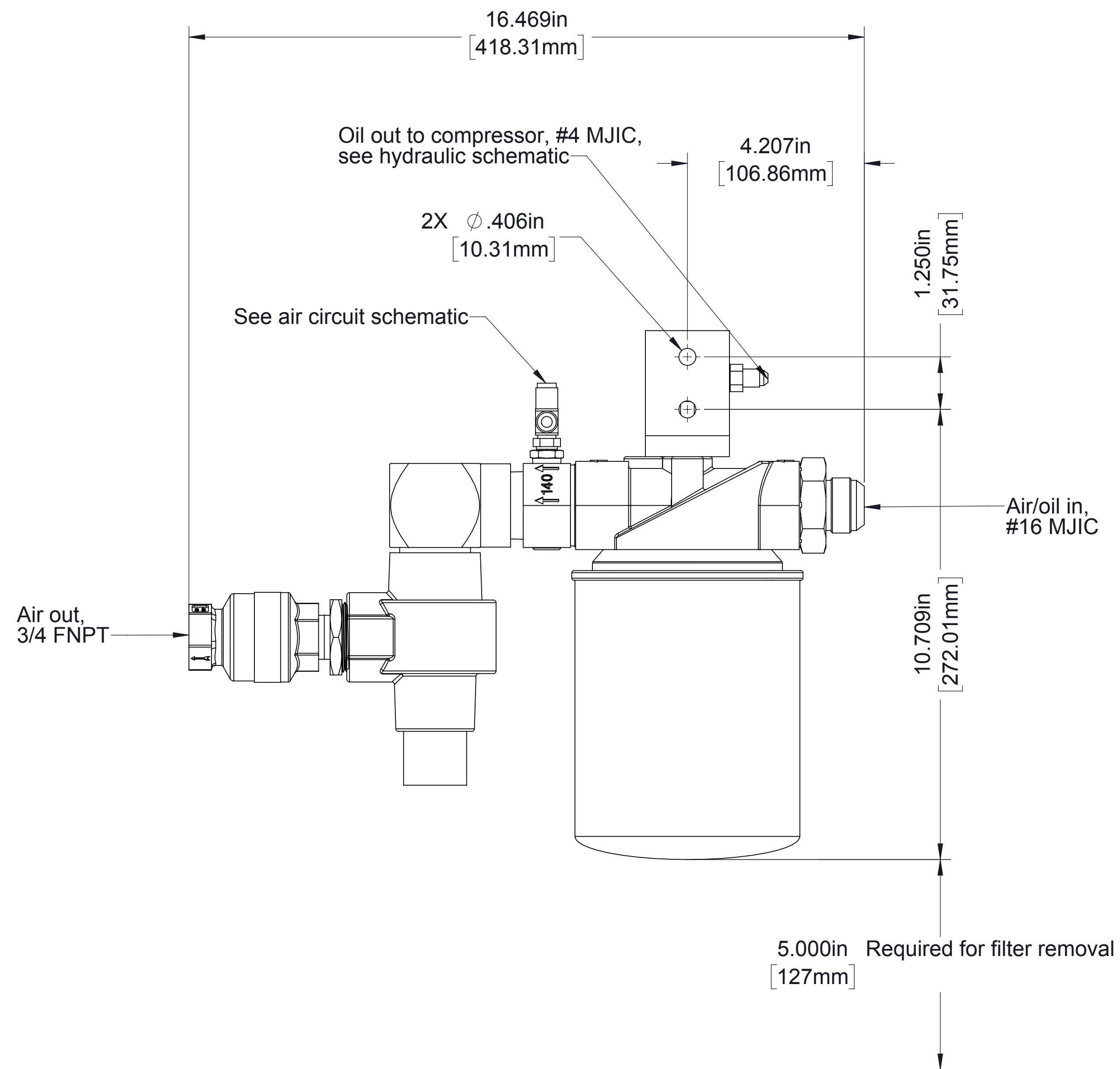


Sump (Oil Reservoir)

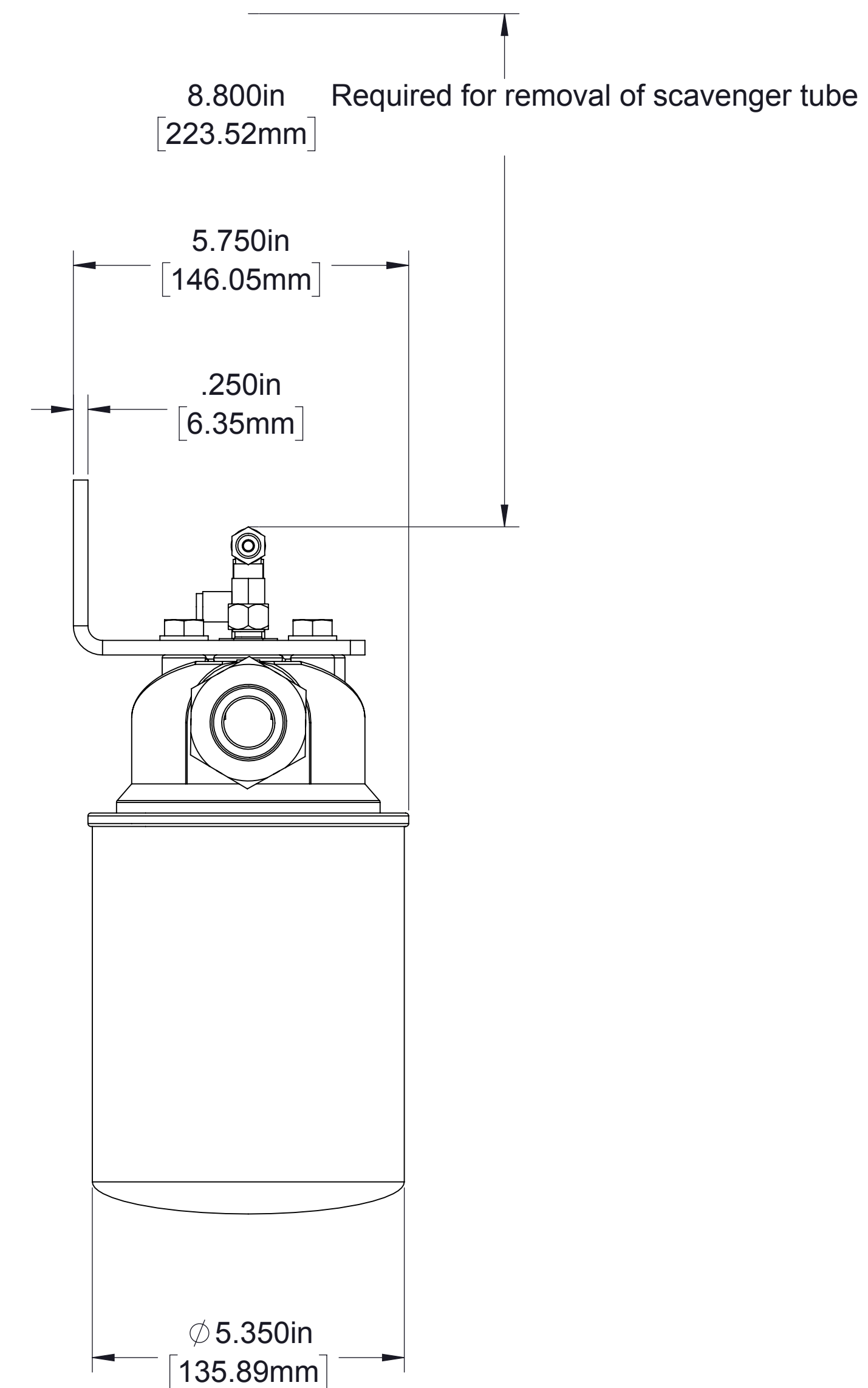


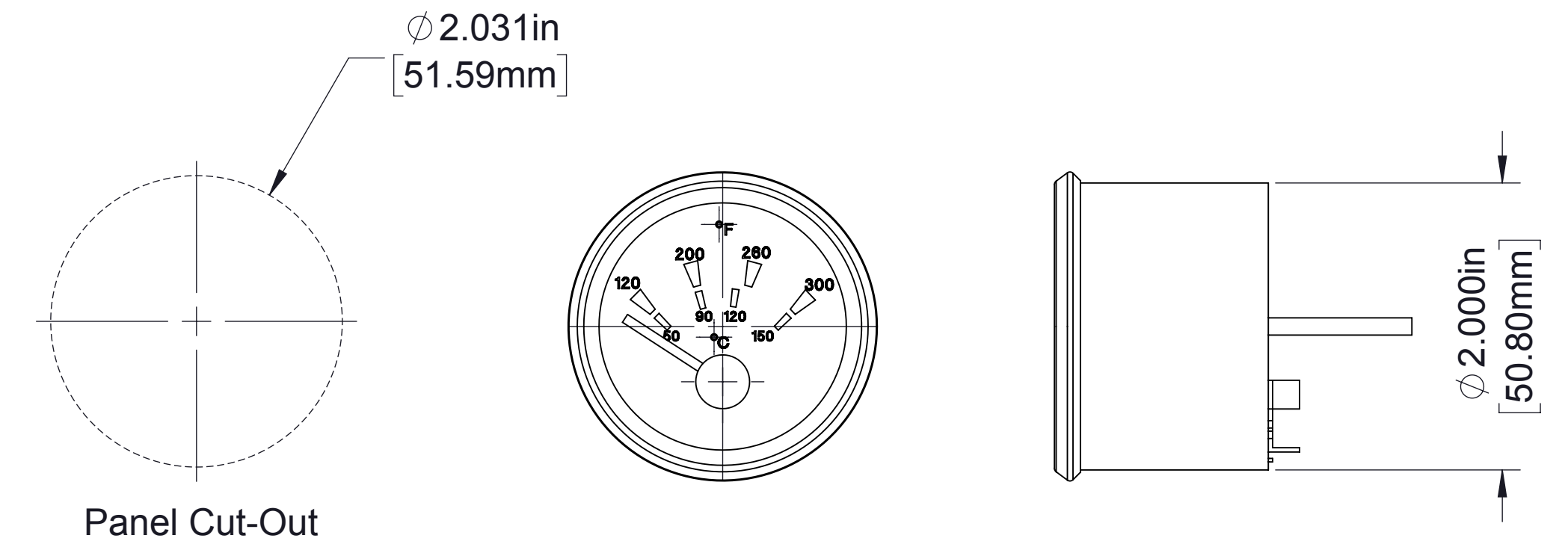
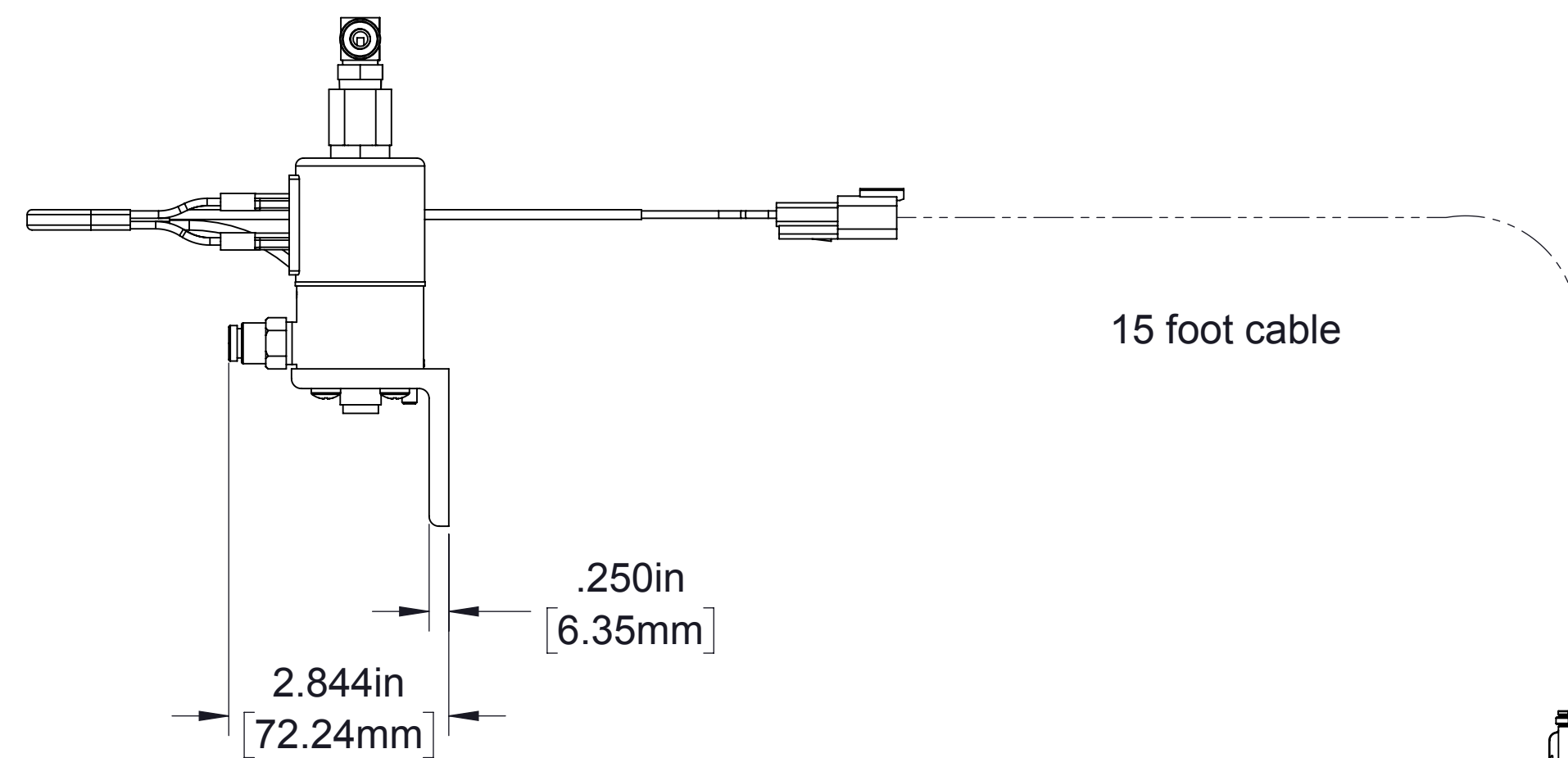
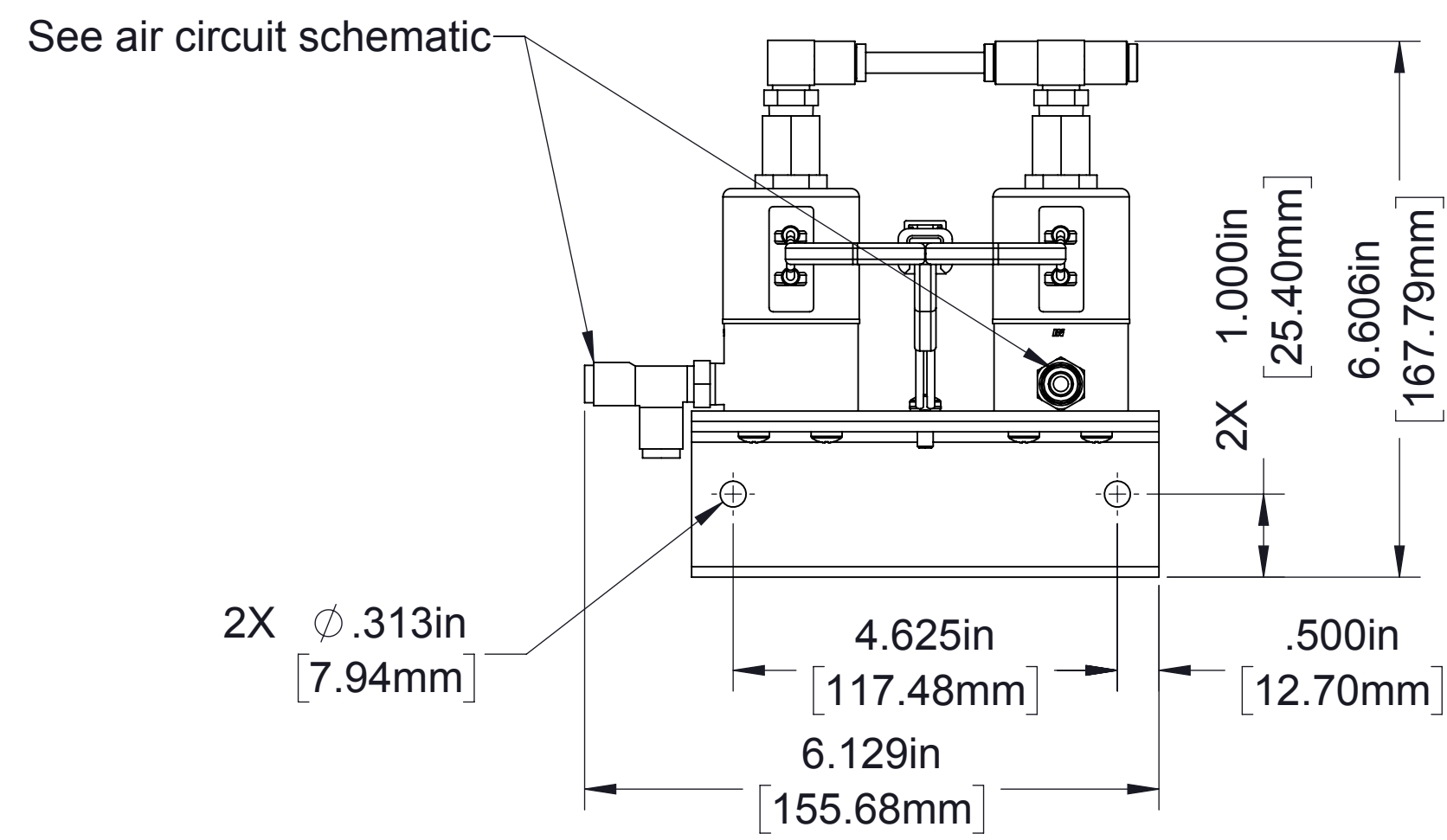


Air Filter

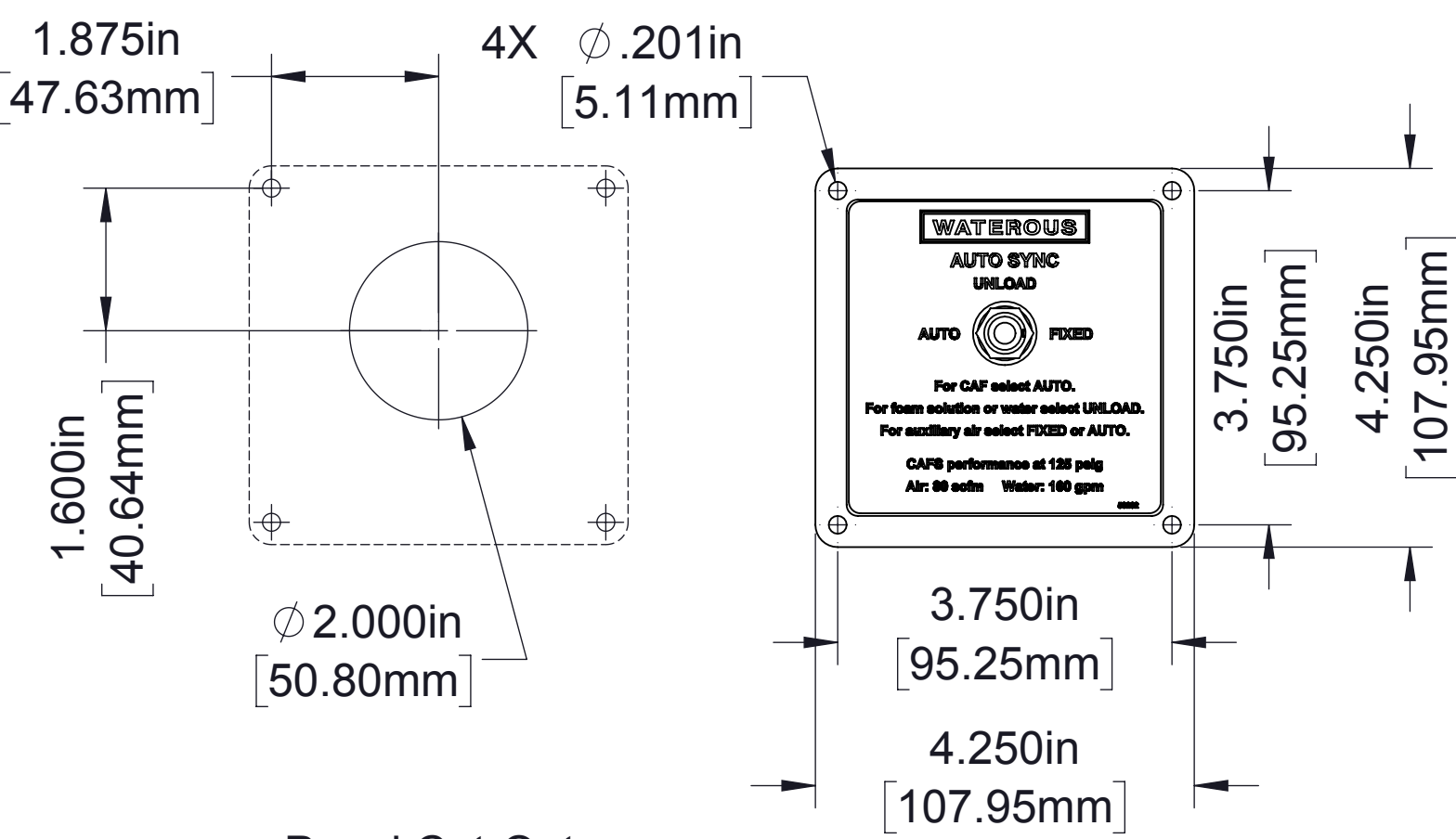
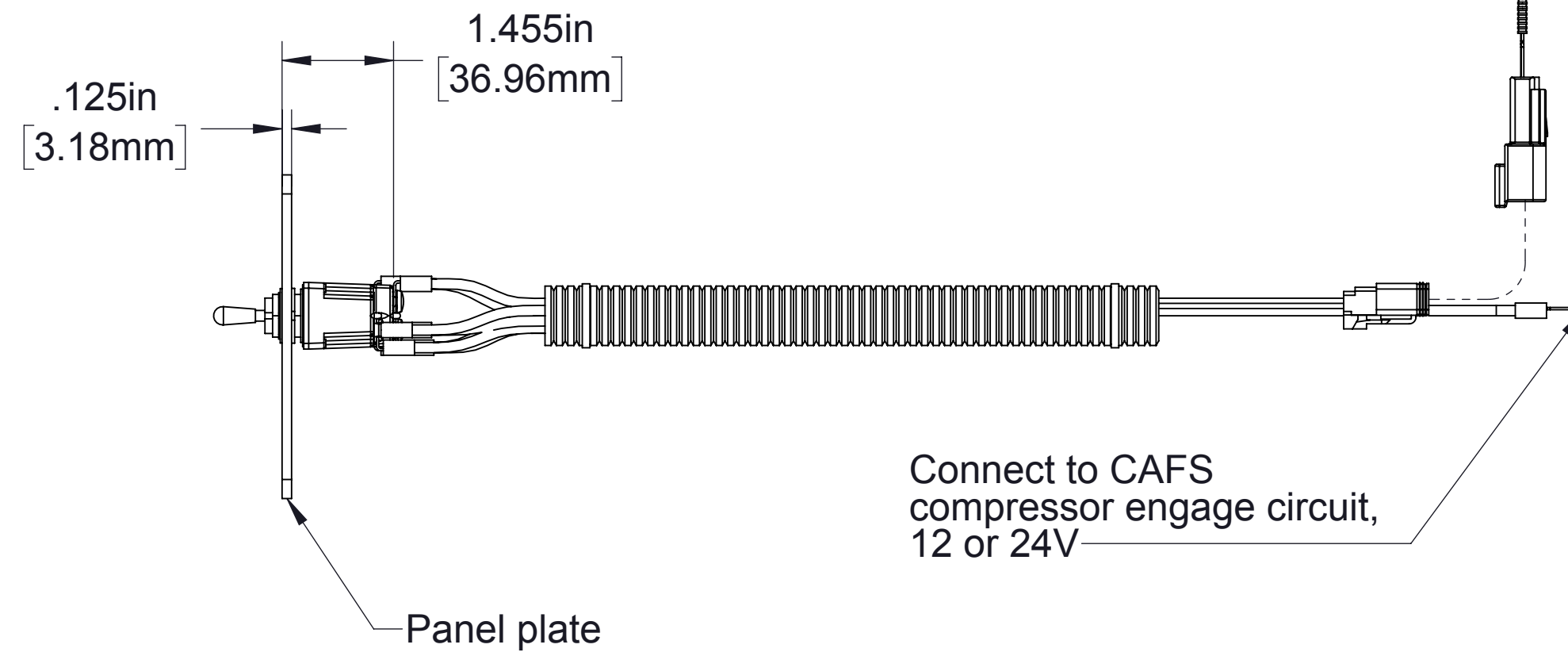


Separator Filter

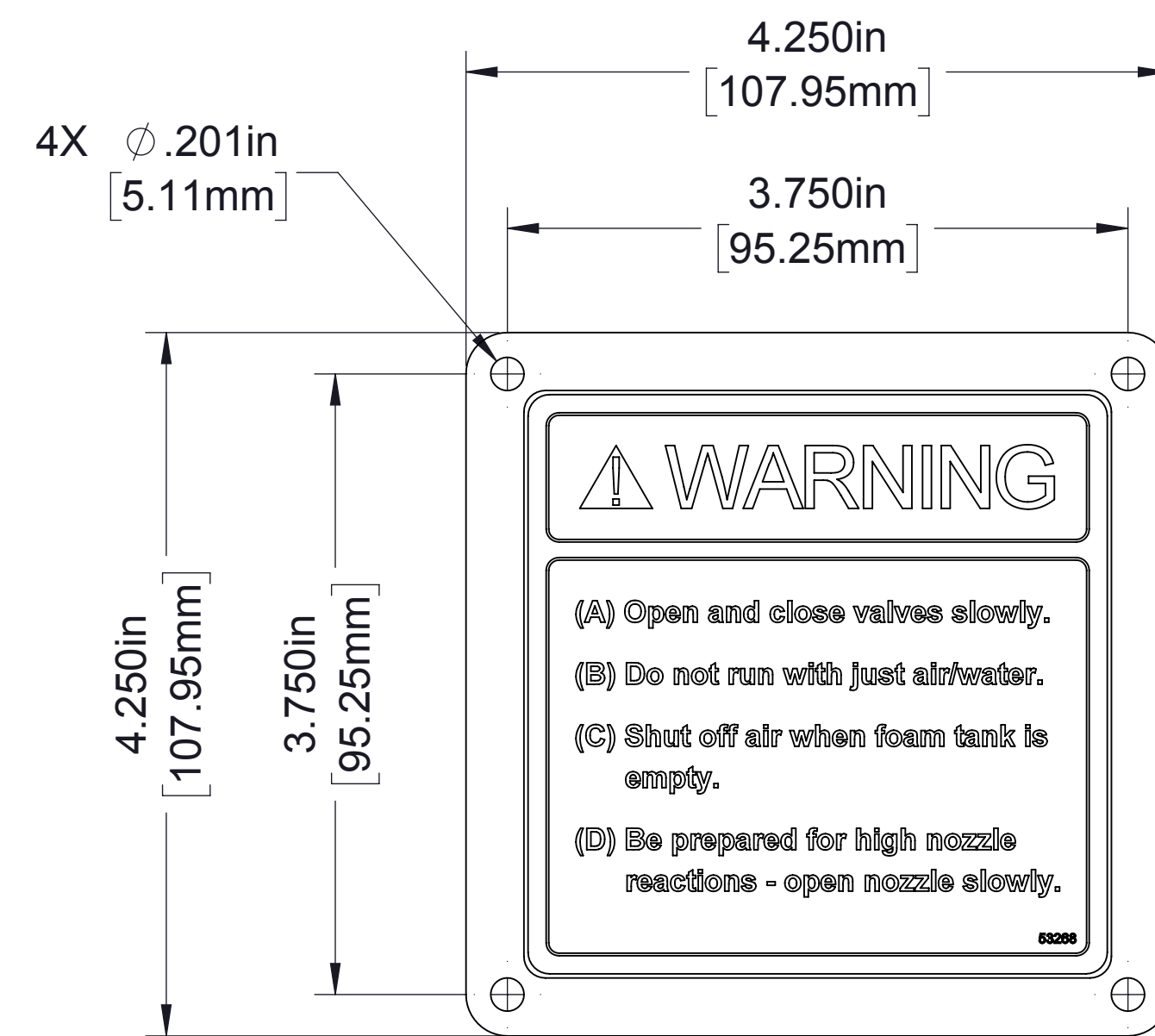




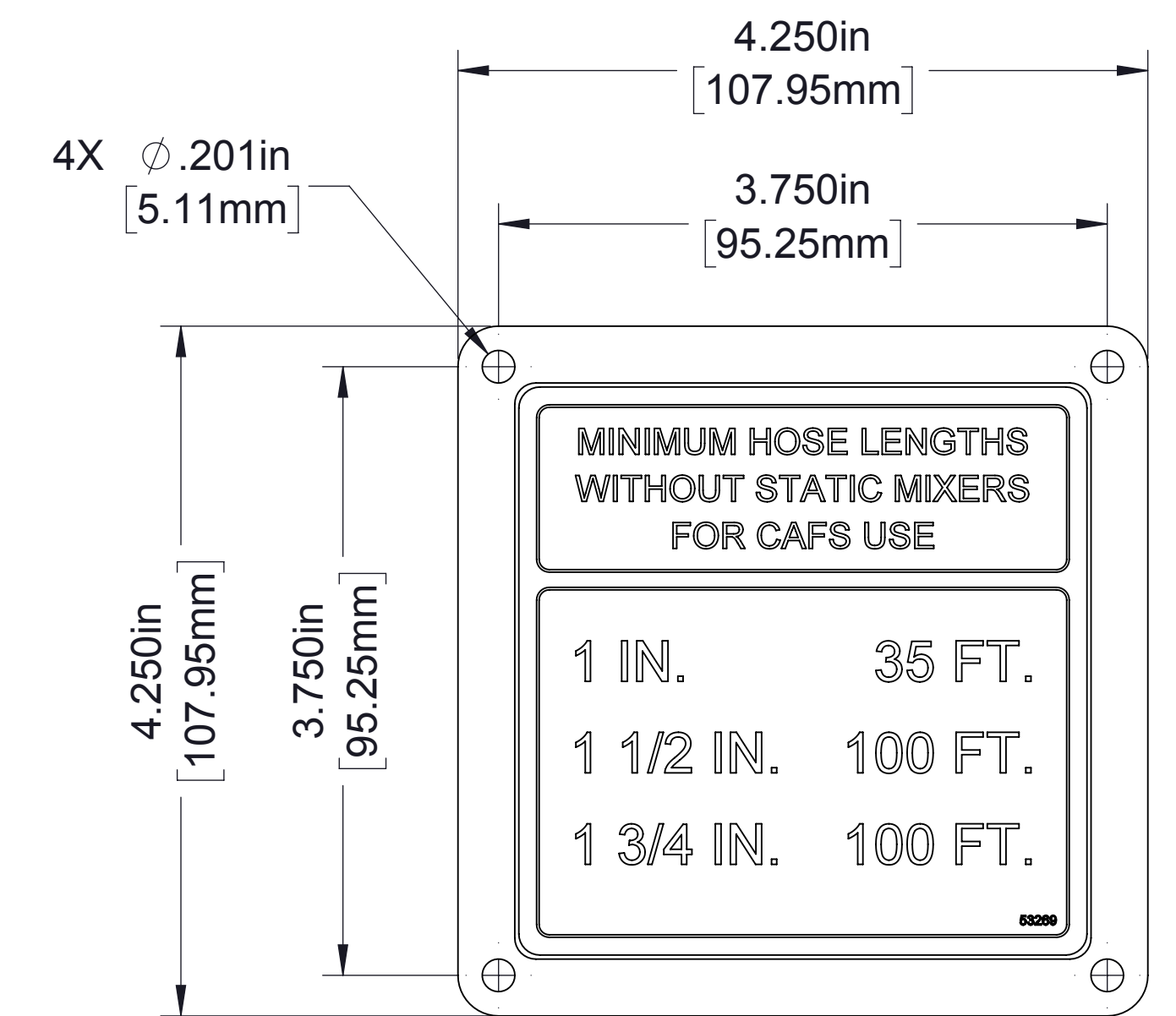
Oil Temperature Gauge
(Wiring to sump temperature sender not furnished by Waterous)



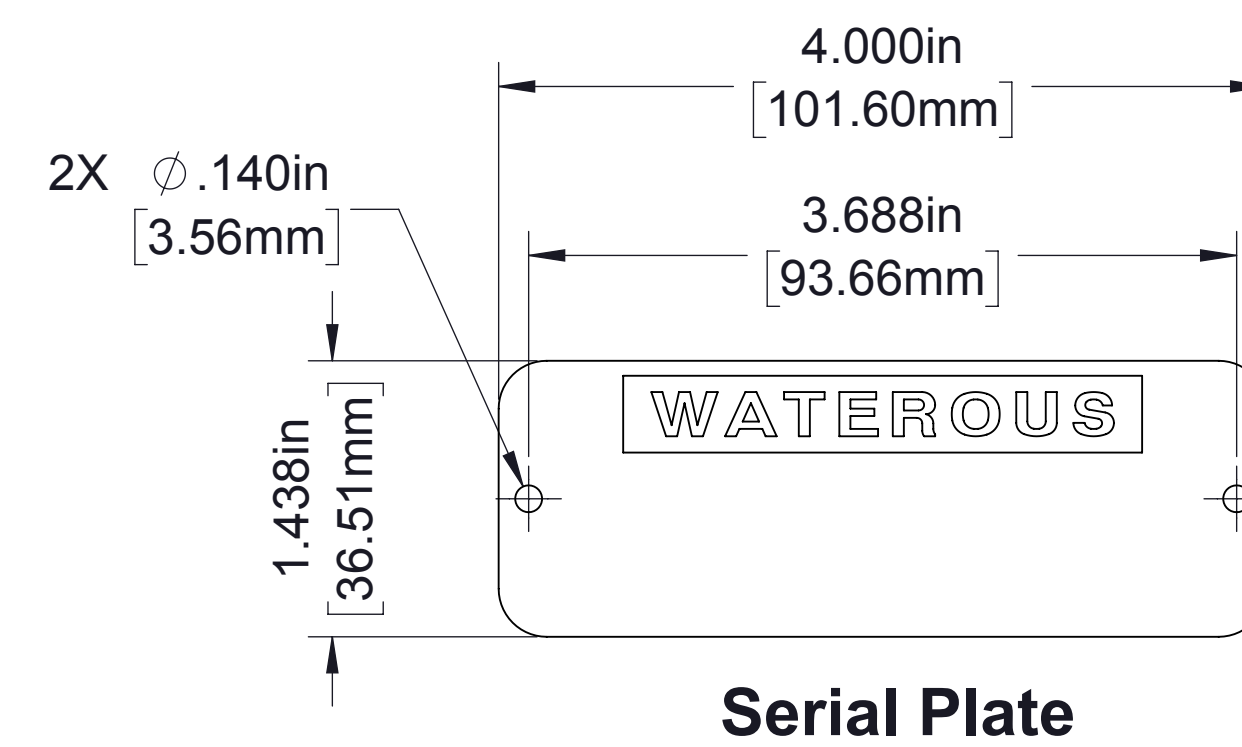
Auto-Sync



CAFS Warning

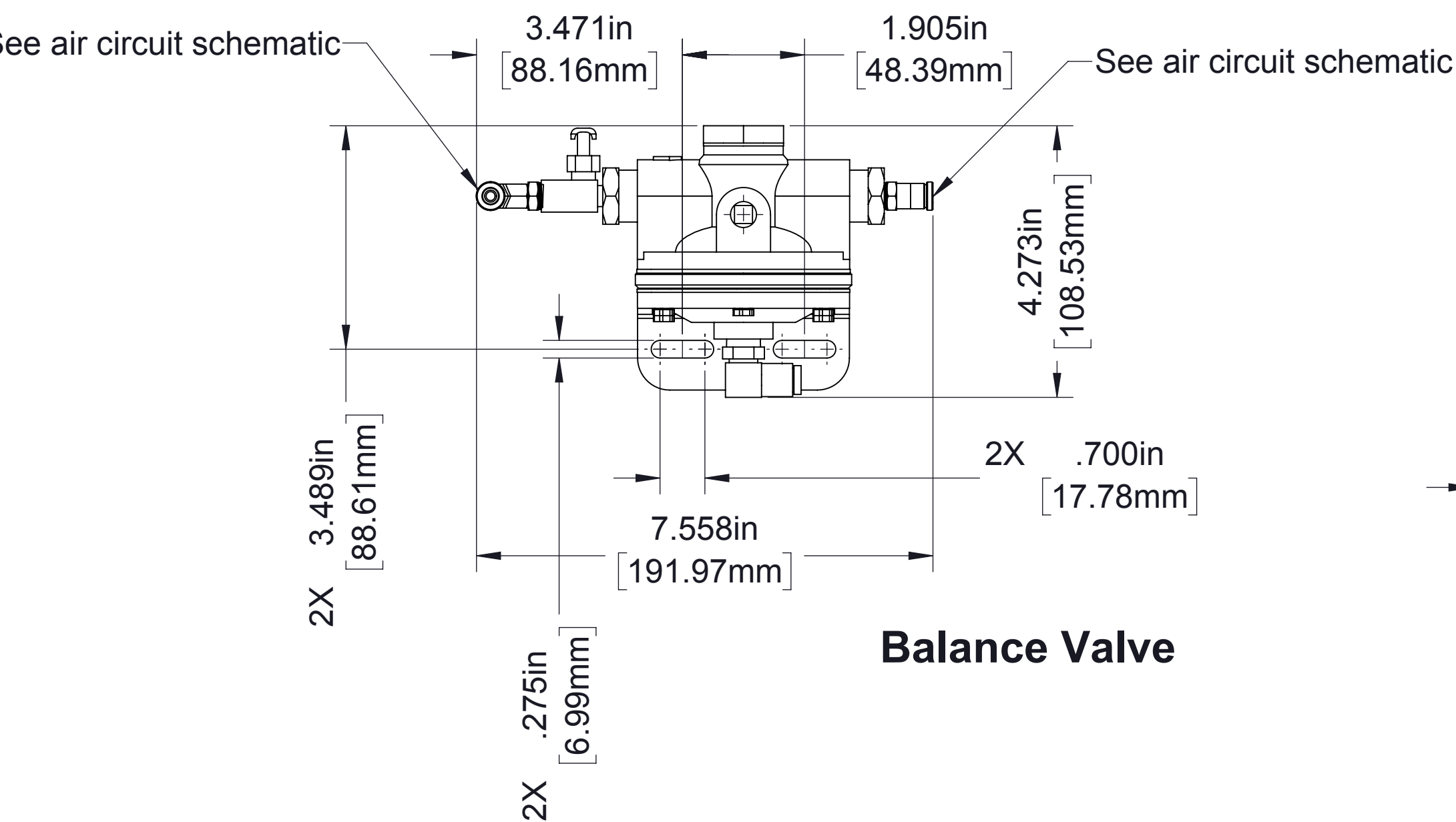


Hose Length

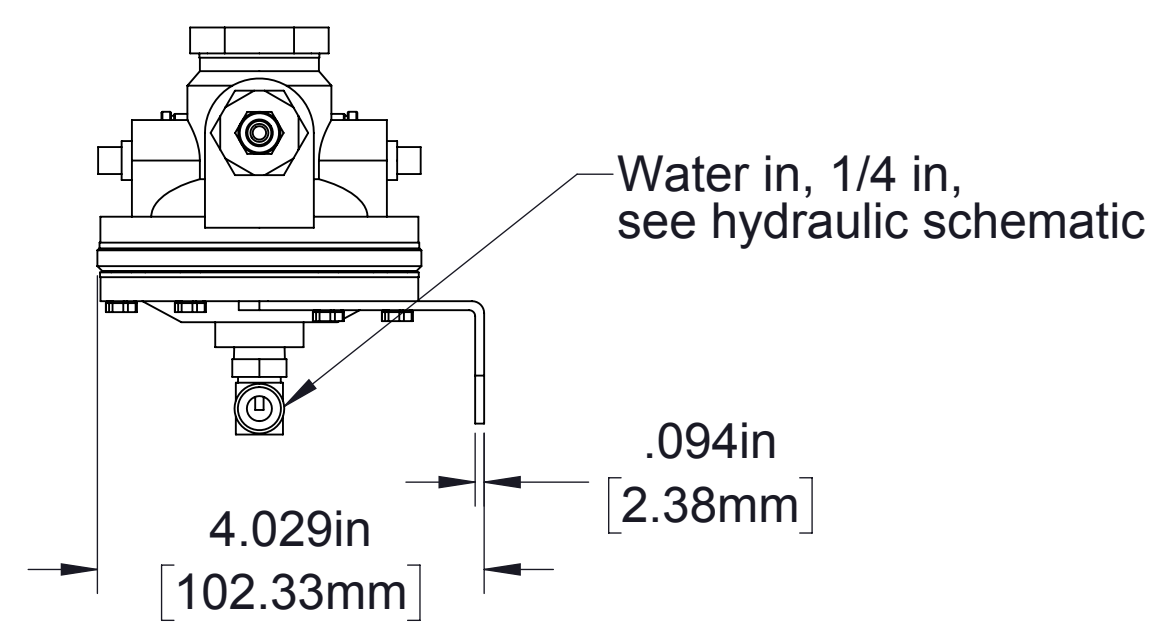


Serial Plate

Panel Plates



Balance Valve



Connects to CAFS compressor engine circuit, 12 or 24V

Oil out, #8 MJIC

Oil in, #8 MJIC

R.177in TYP
[4.50mm]

.118in TYP
[3mm]

.236in TYP
[6mm]

27.302in
[693.47mm]

18.858in
[479mm]

Oil filter, see table

2X 15.750in
[400.05]

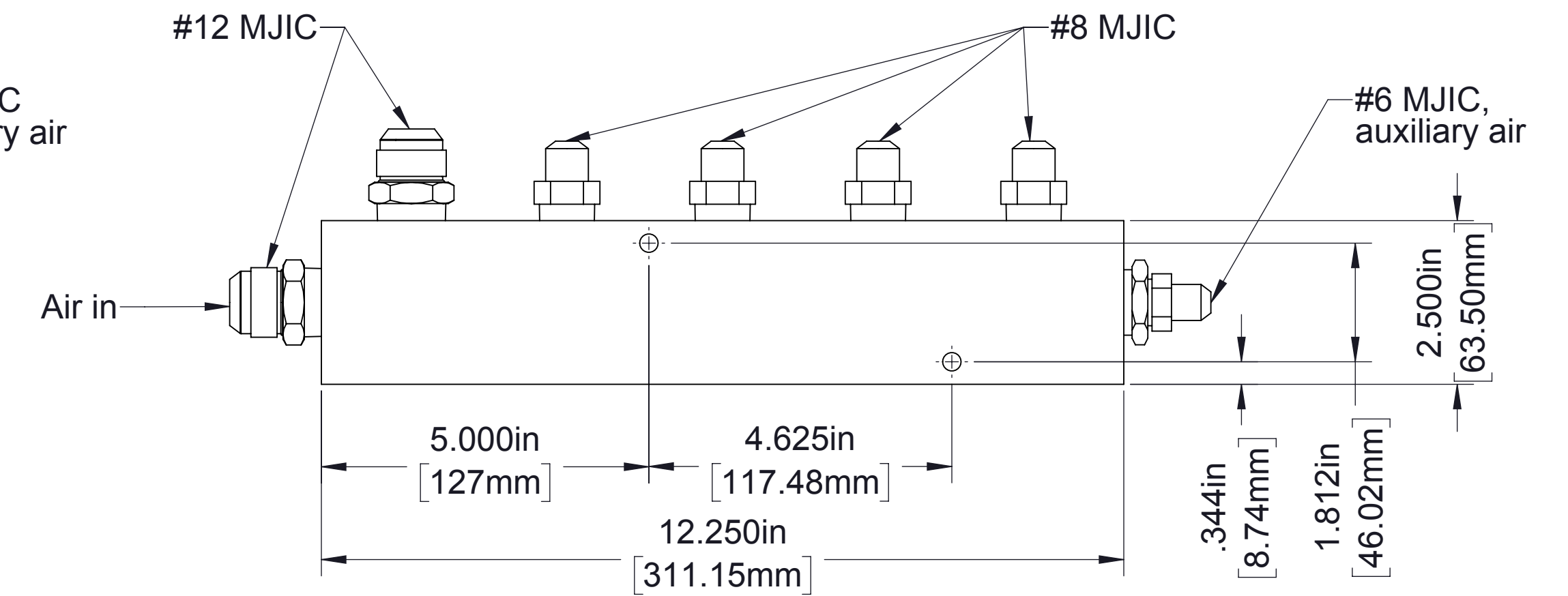
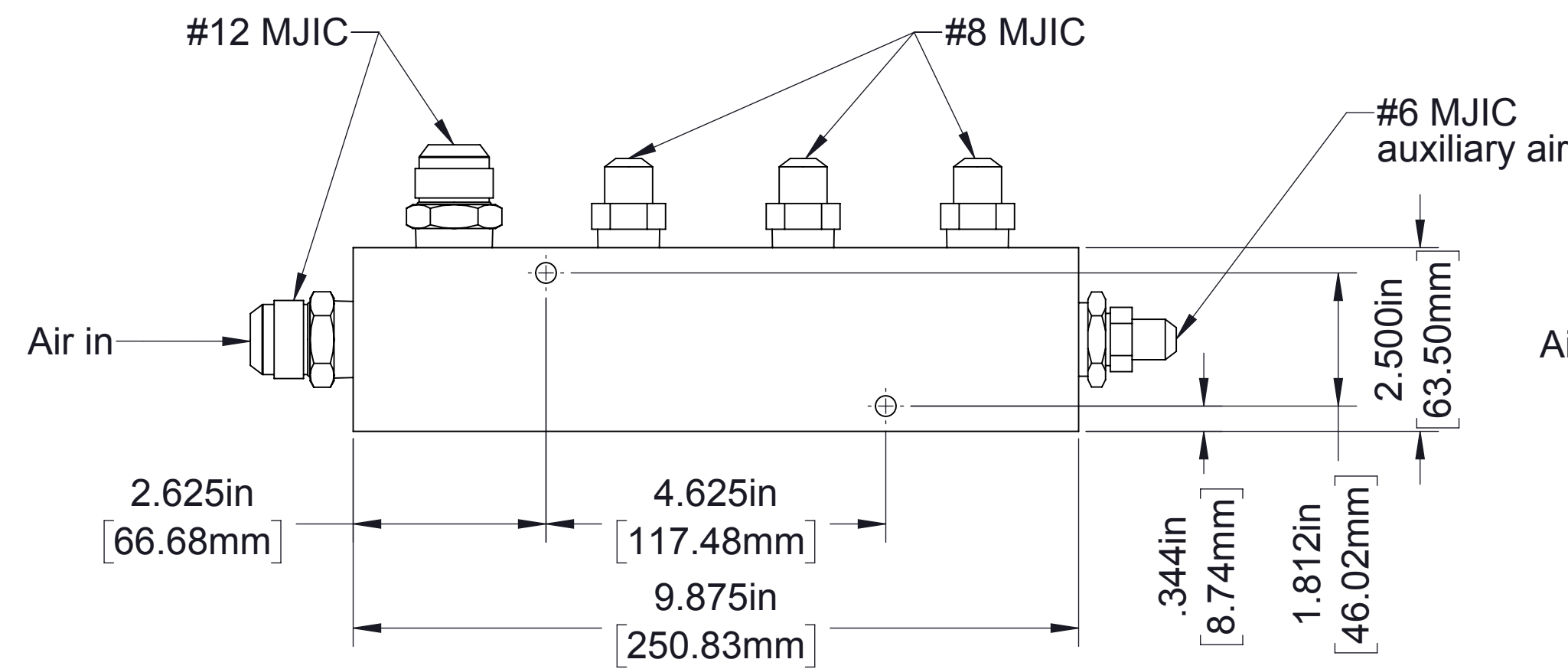
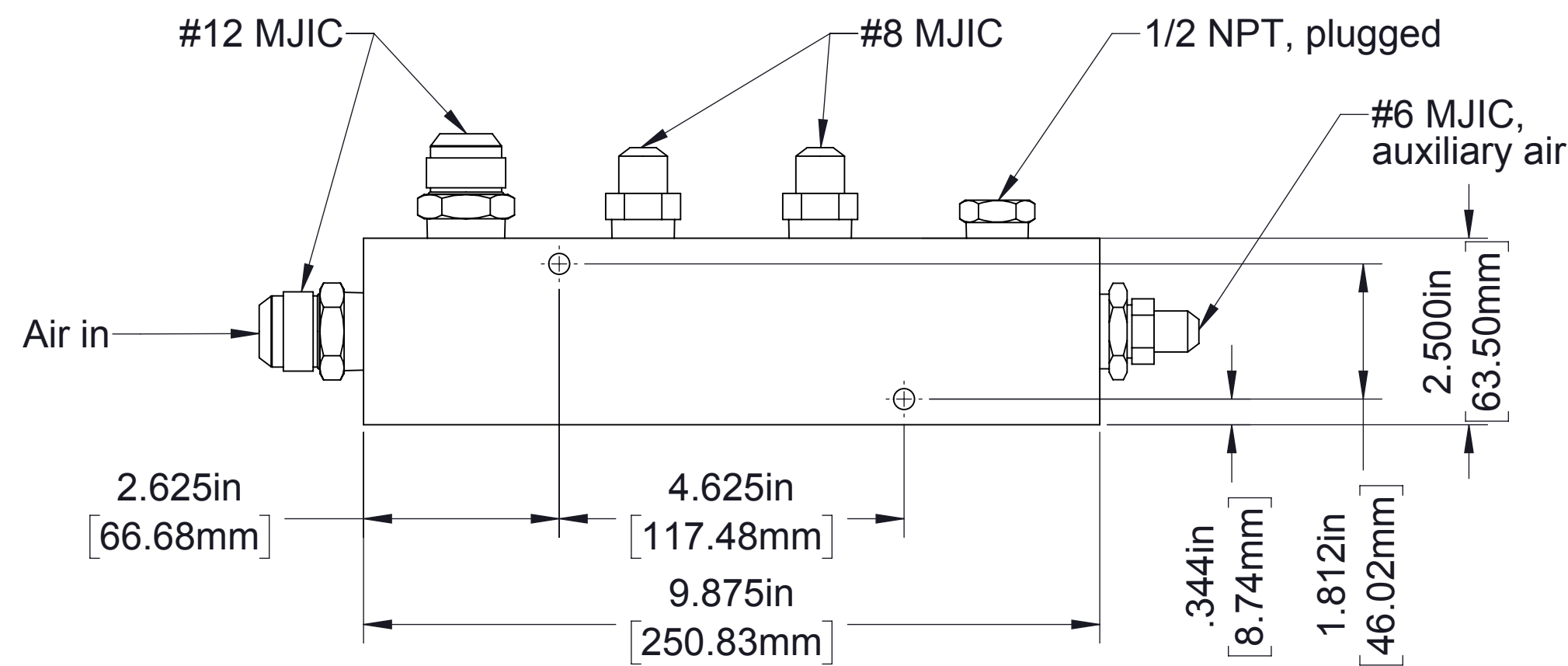
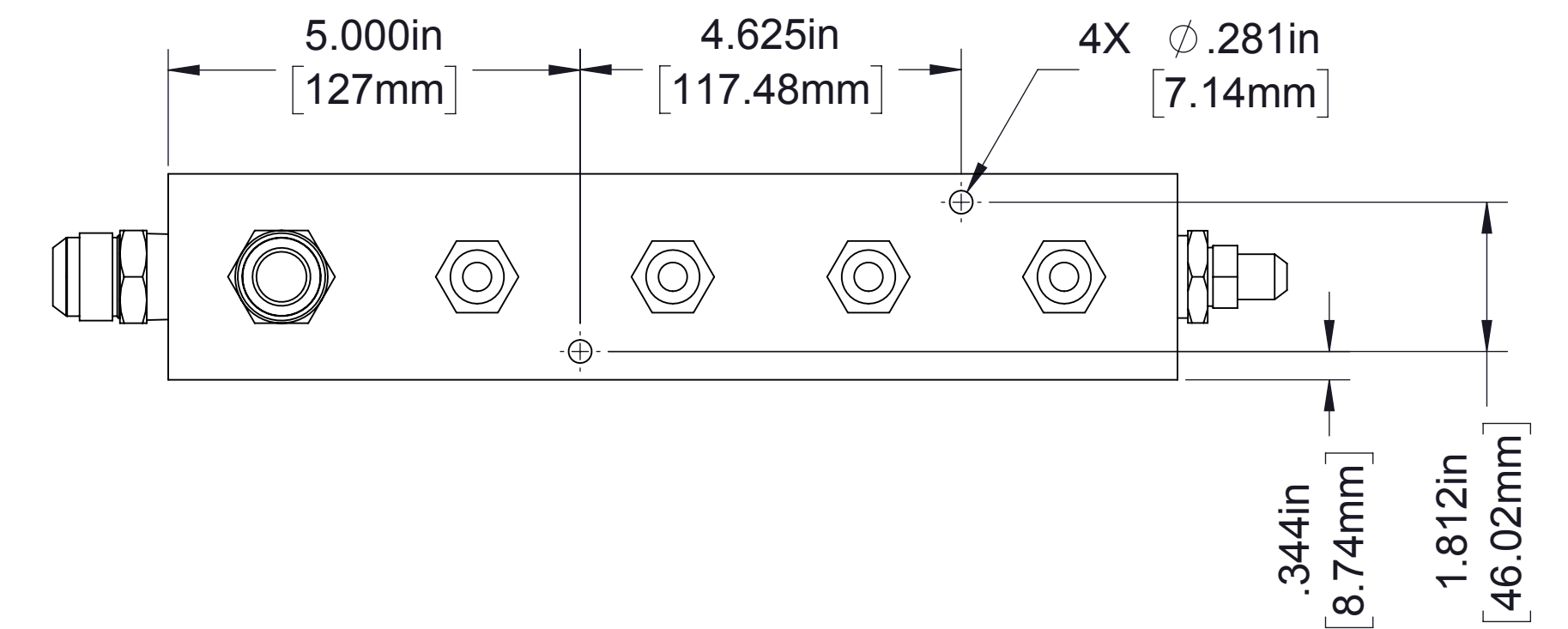
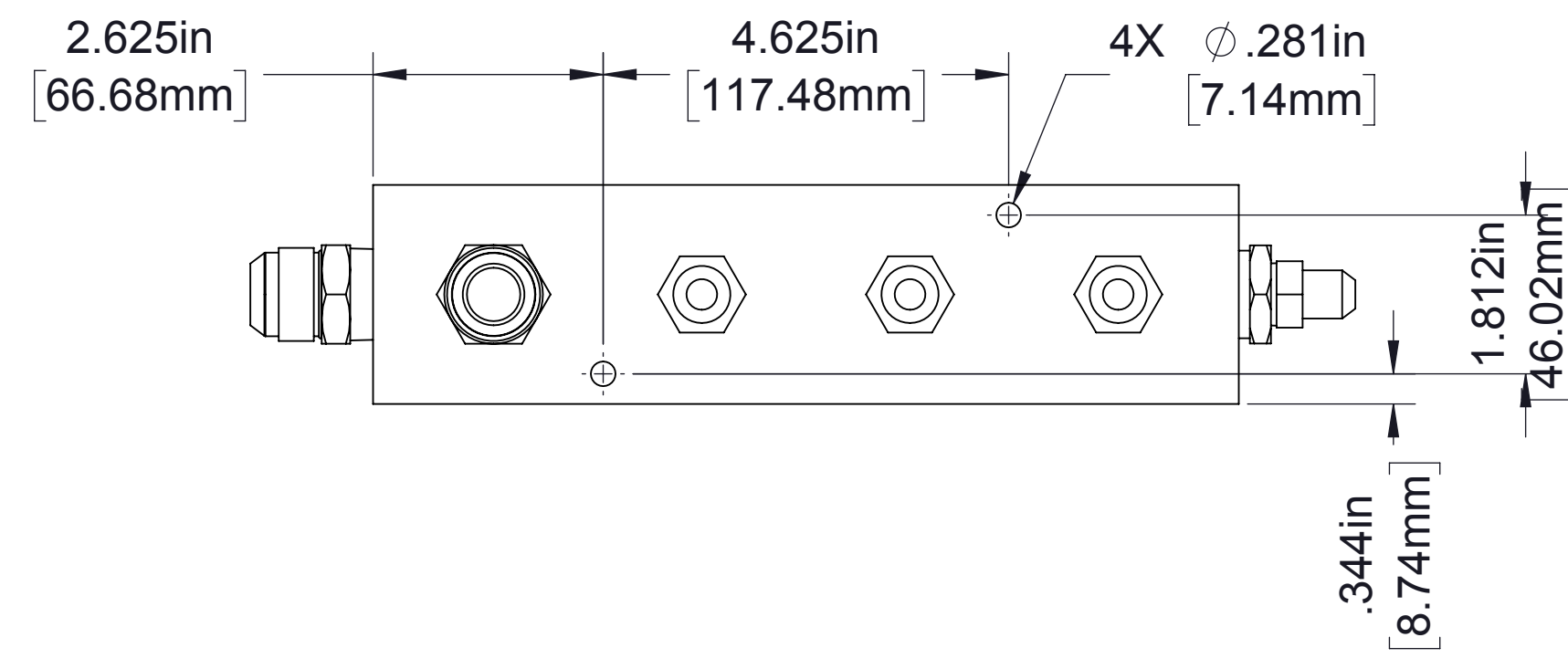
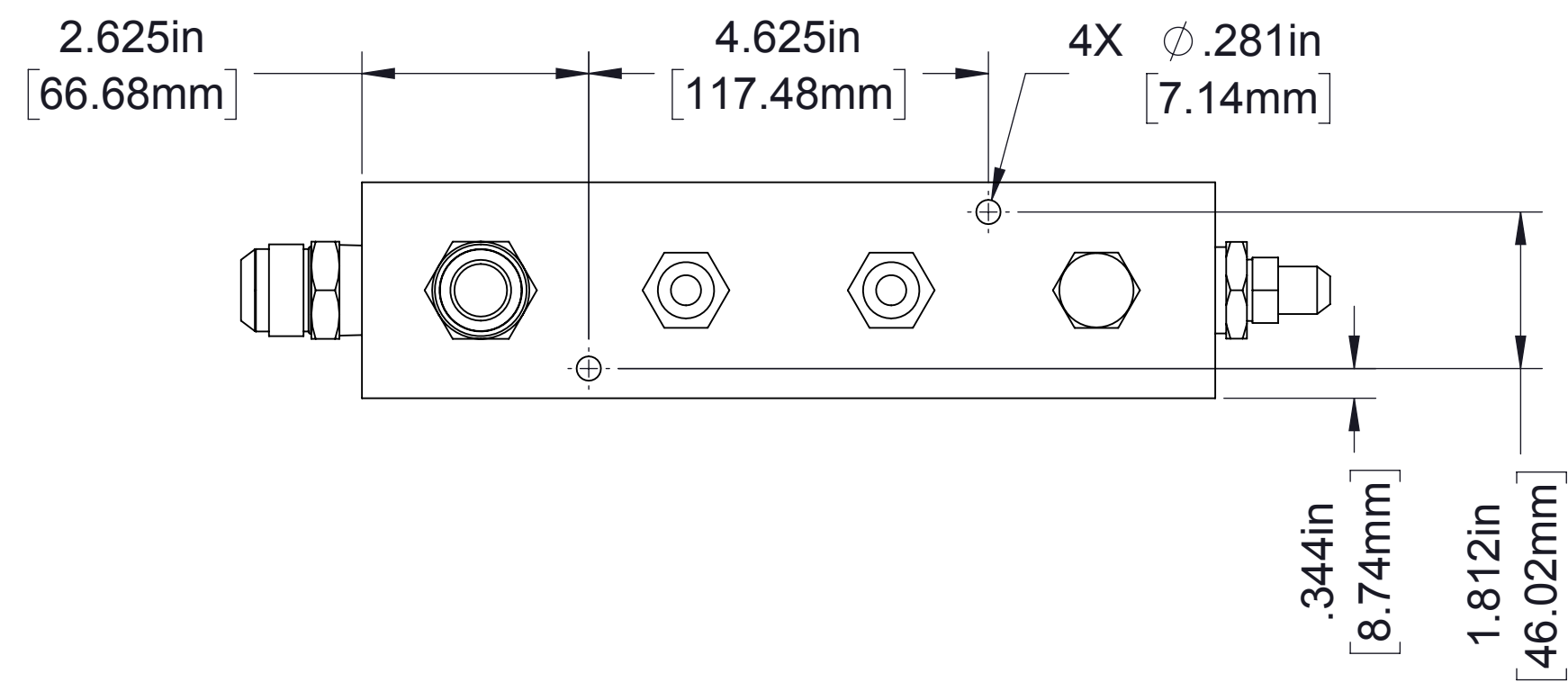
2X 19.134in
[486mm]

20.118in
[511mm]

**Optional Air Cooler
(Electric Fan)**

Available as follows:

Use	Oil Filter
As main cooler	Included
As secondary cooler	Not included (included with oil cooler, see page 4)

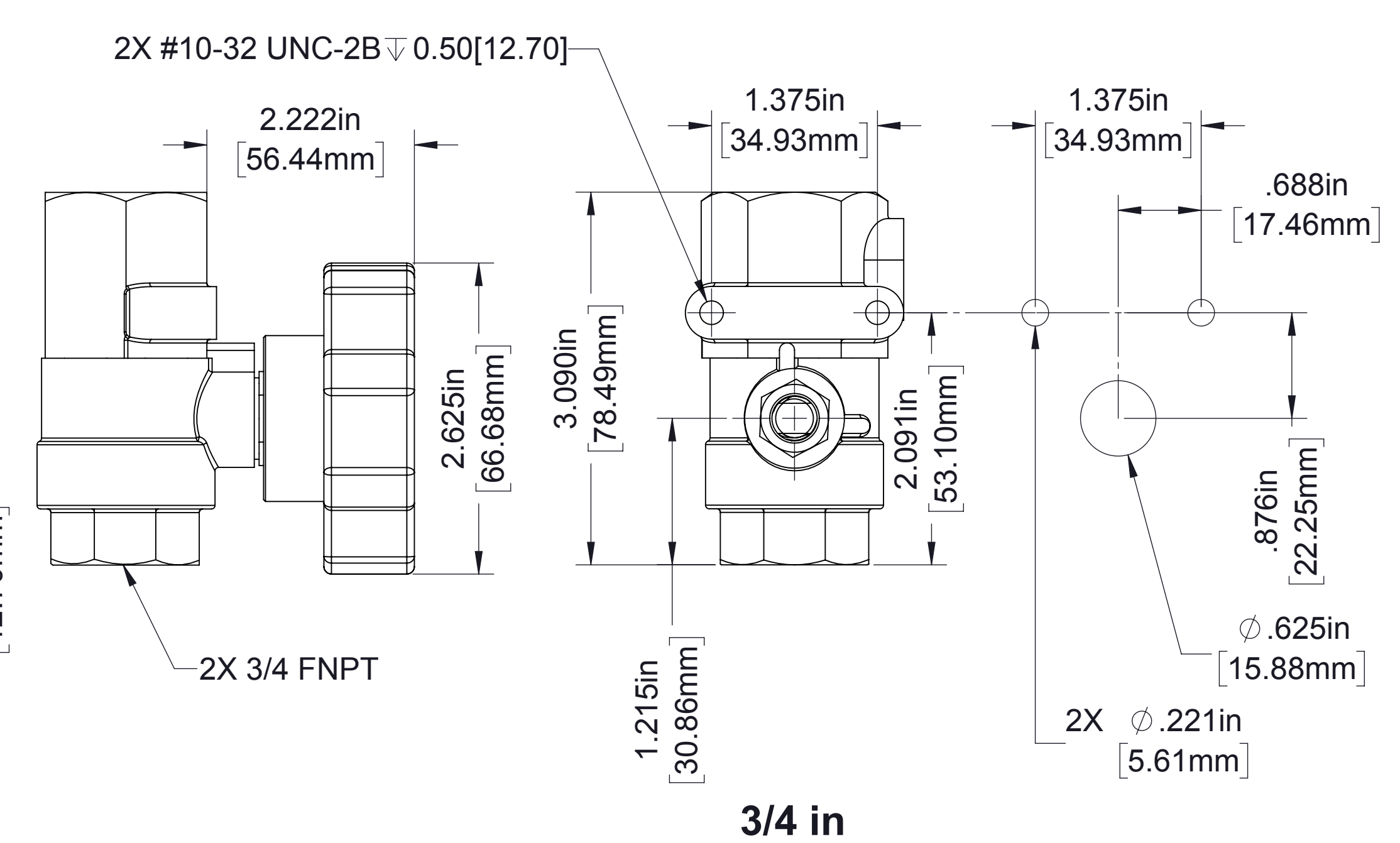
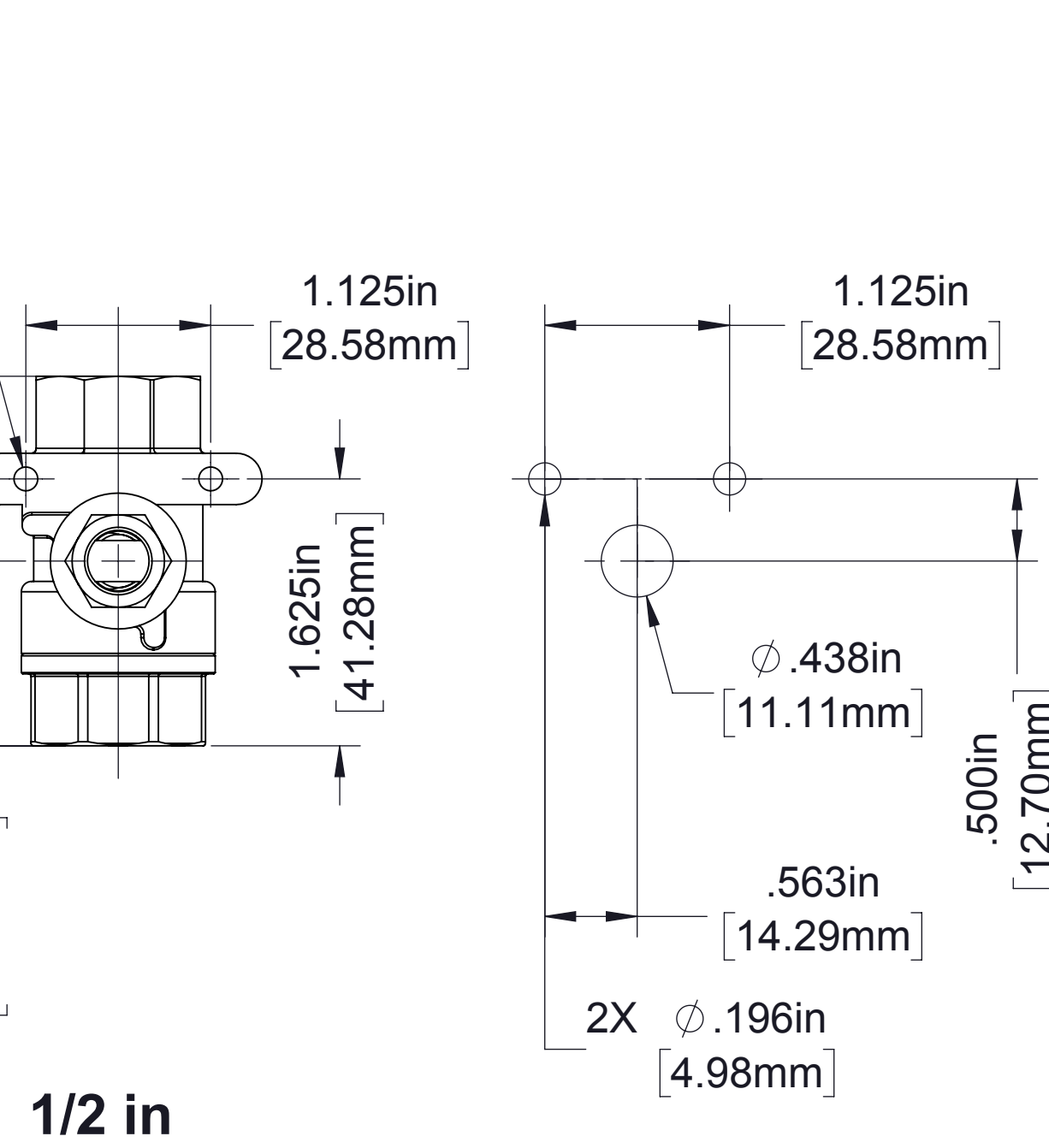
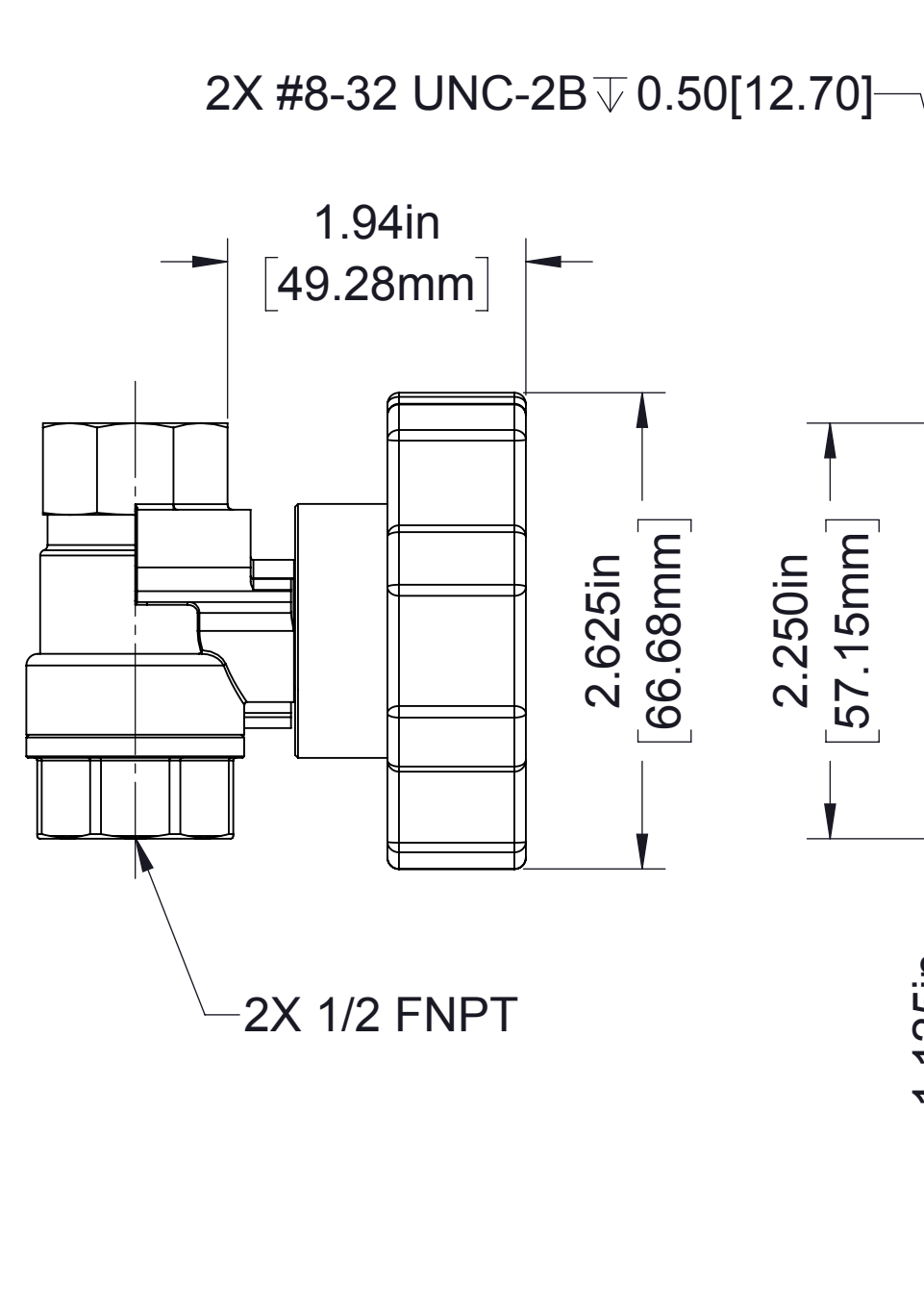
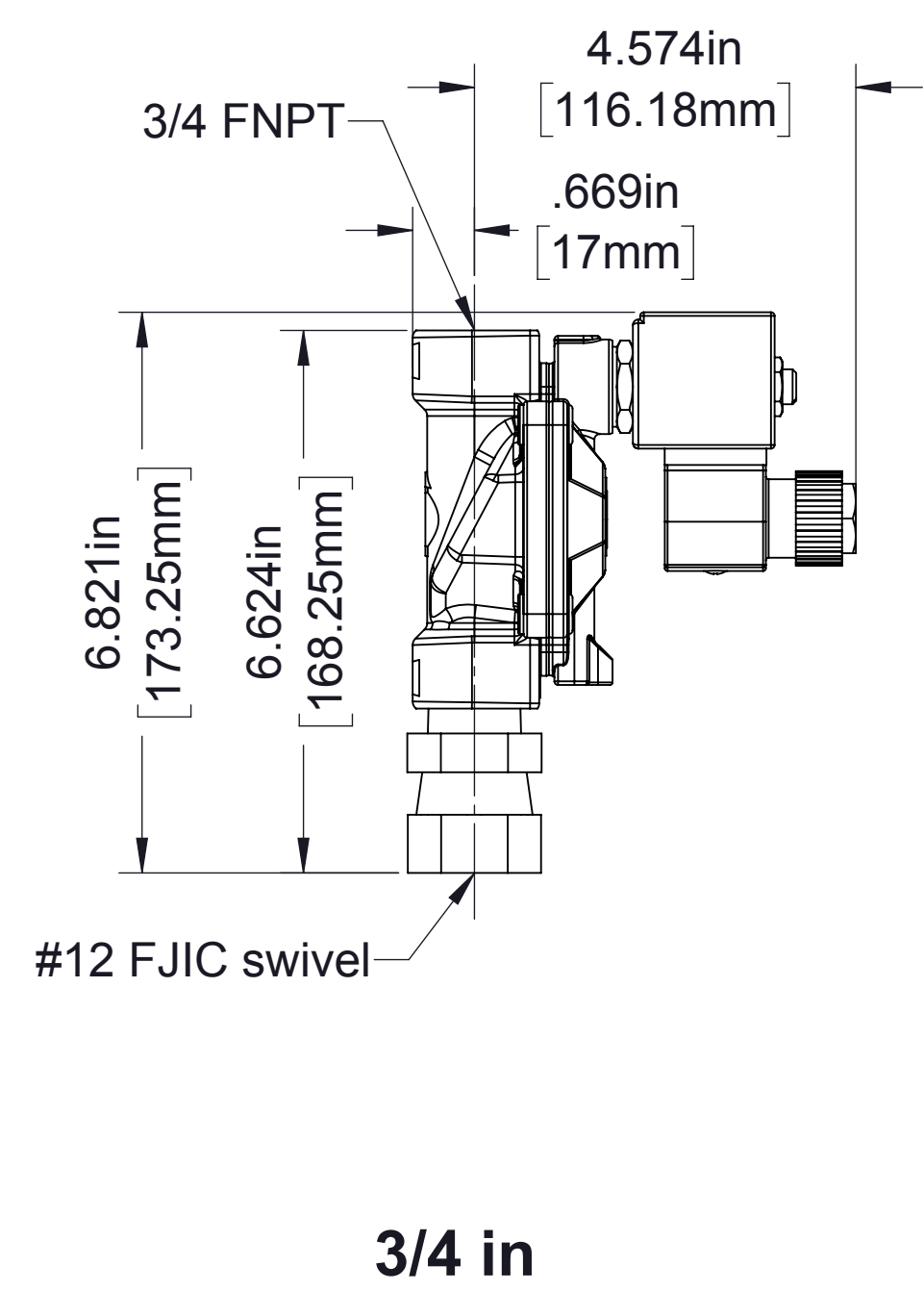
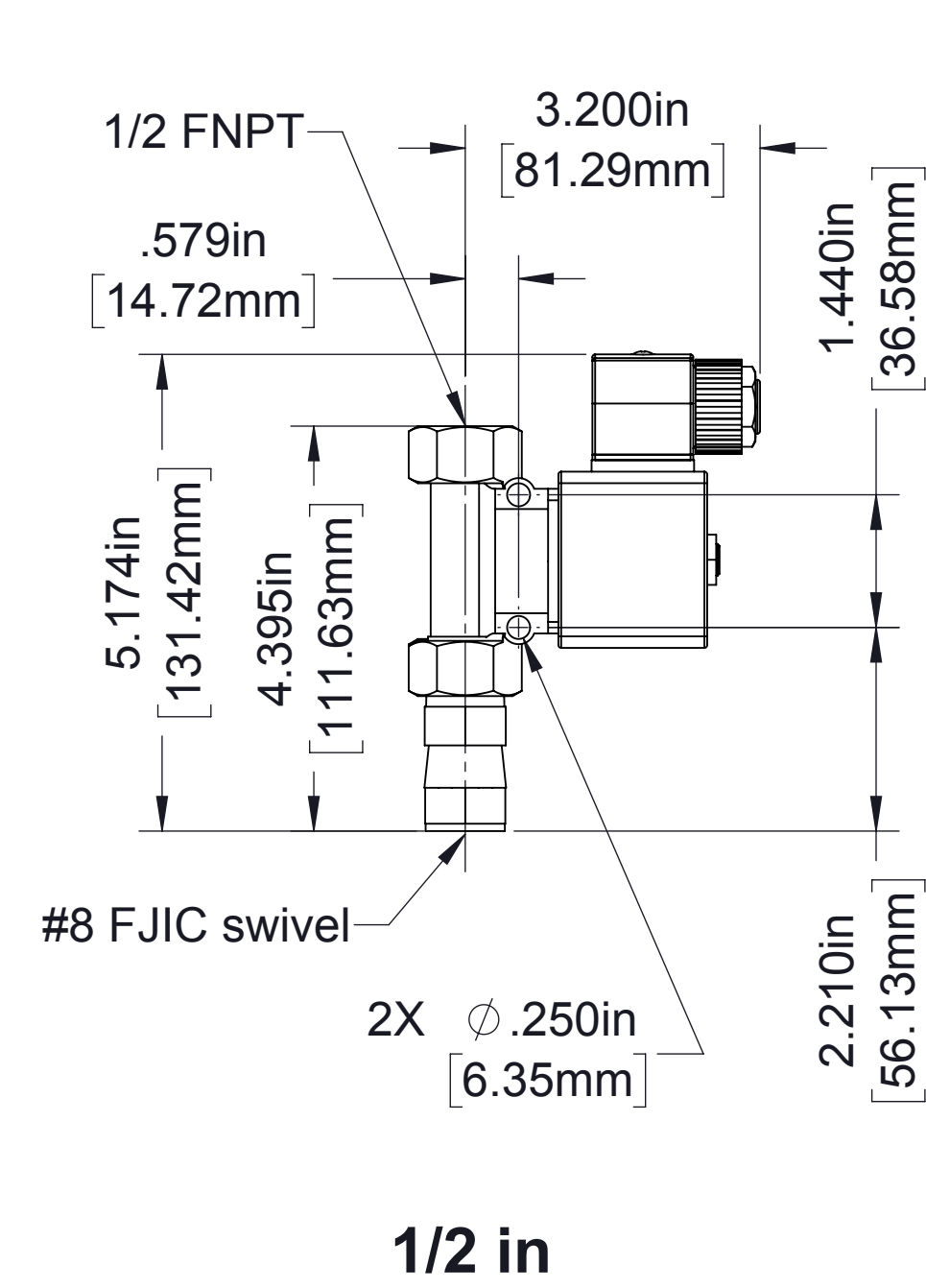


3 Port Manifold,
order part number 83360-1A

4 Port Manifold,
order part number 83360-1B

5 Port Manifold,
order part number 83360-1C

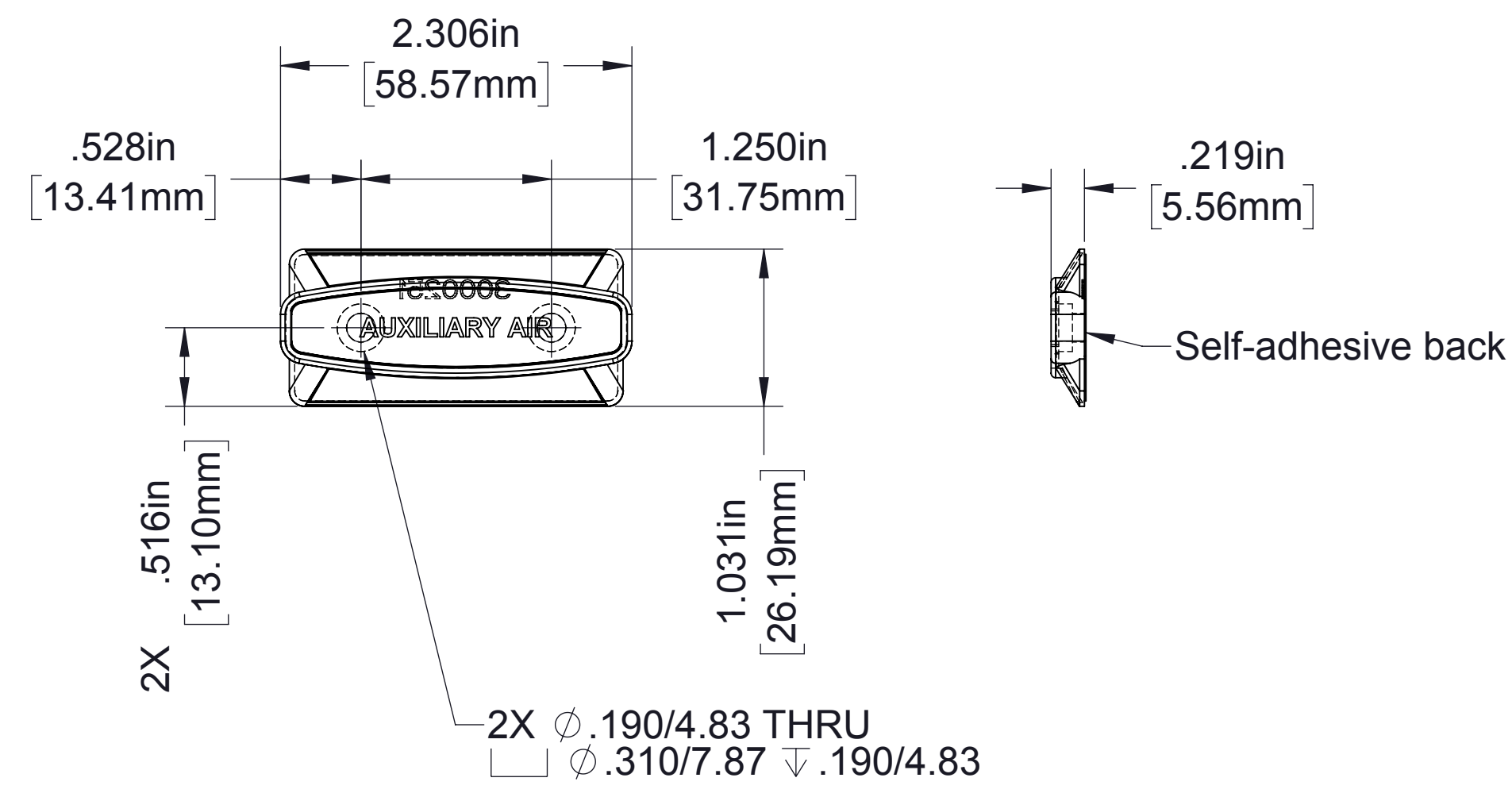
Optional Air Distribution Manifold



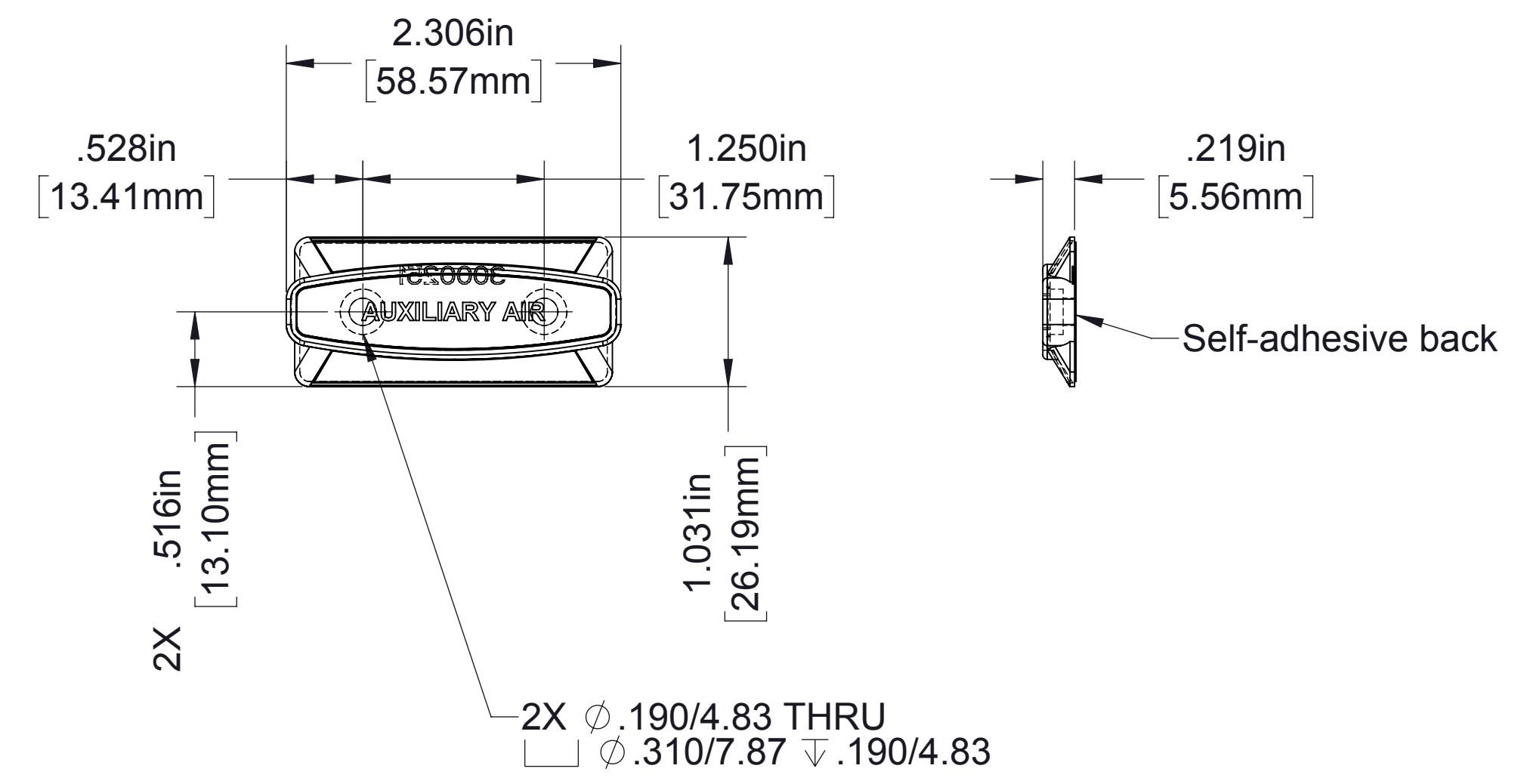
Electric

Manual

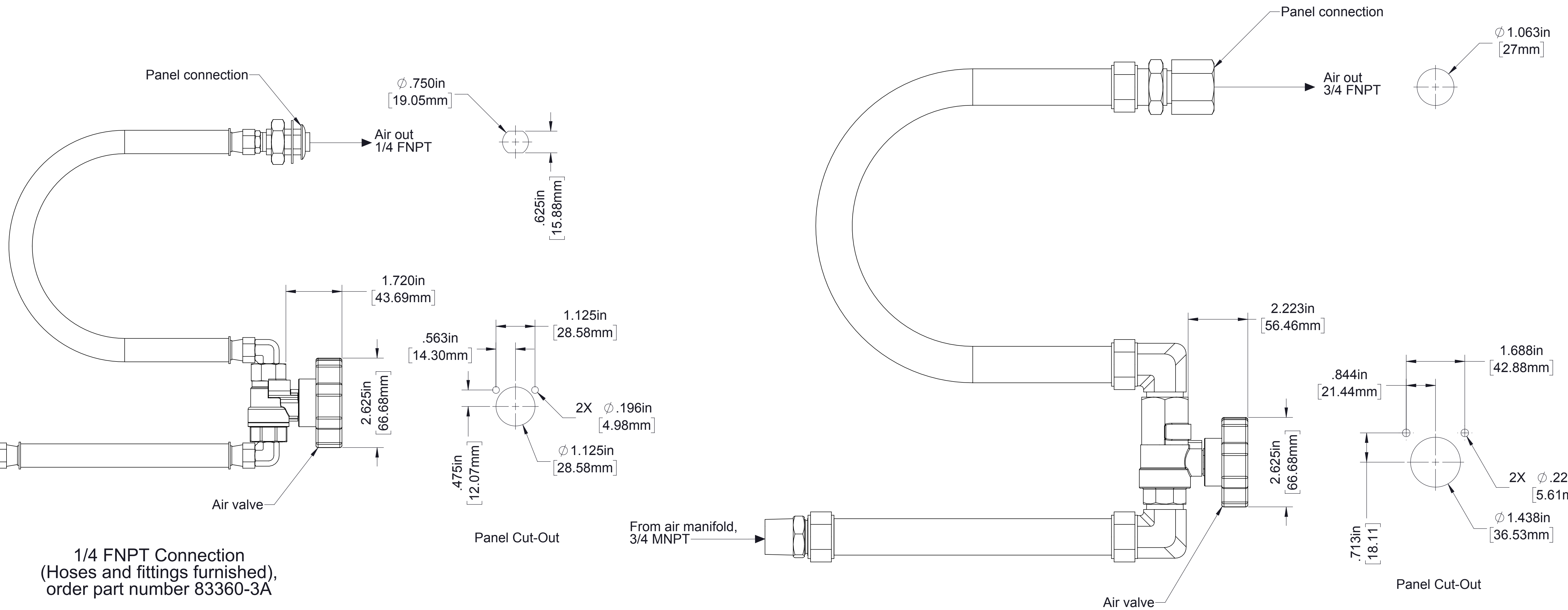
Optional Air Valves



Label



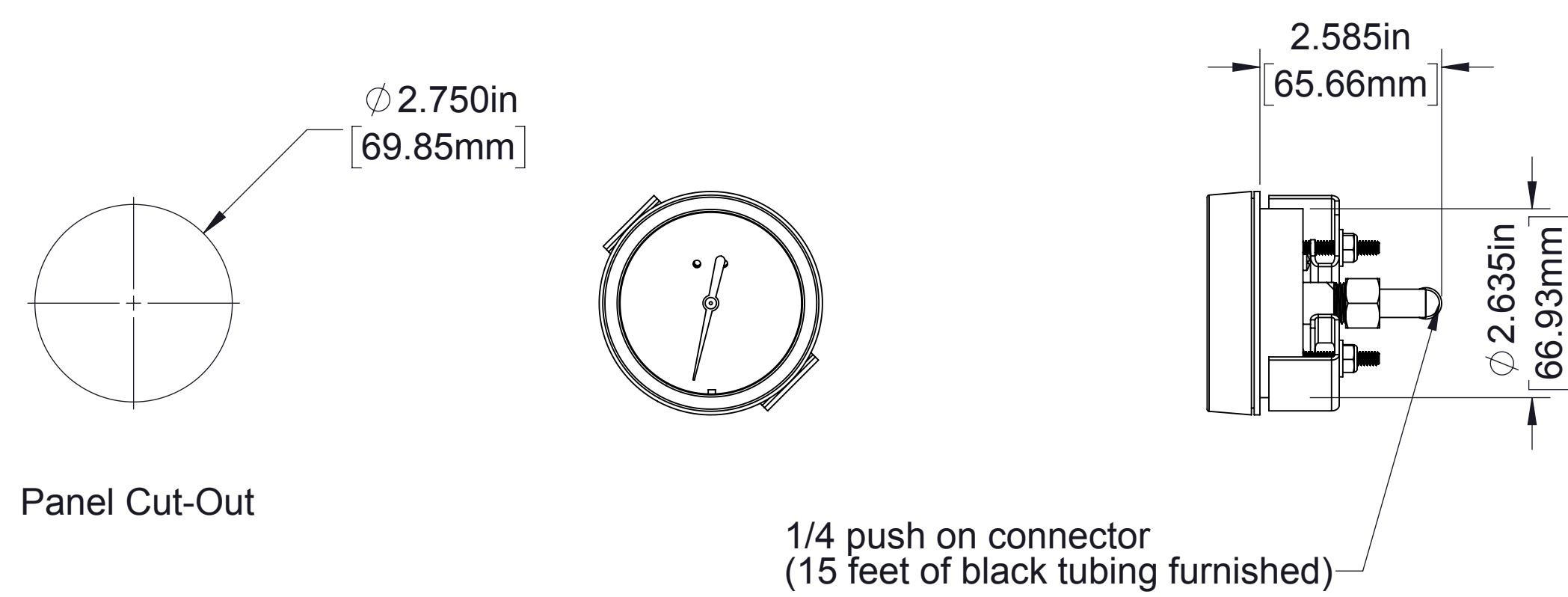
Label



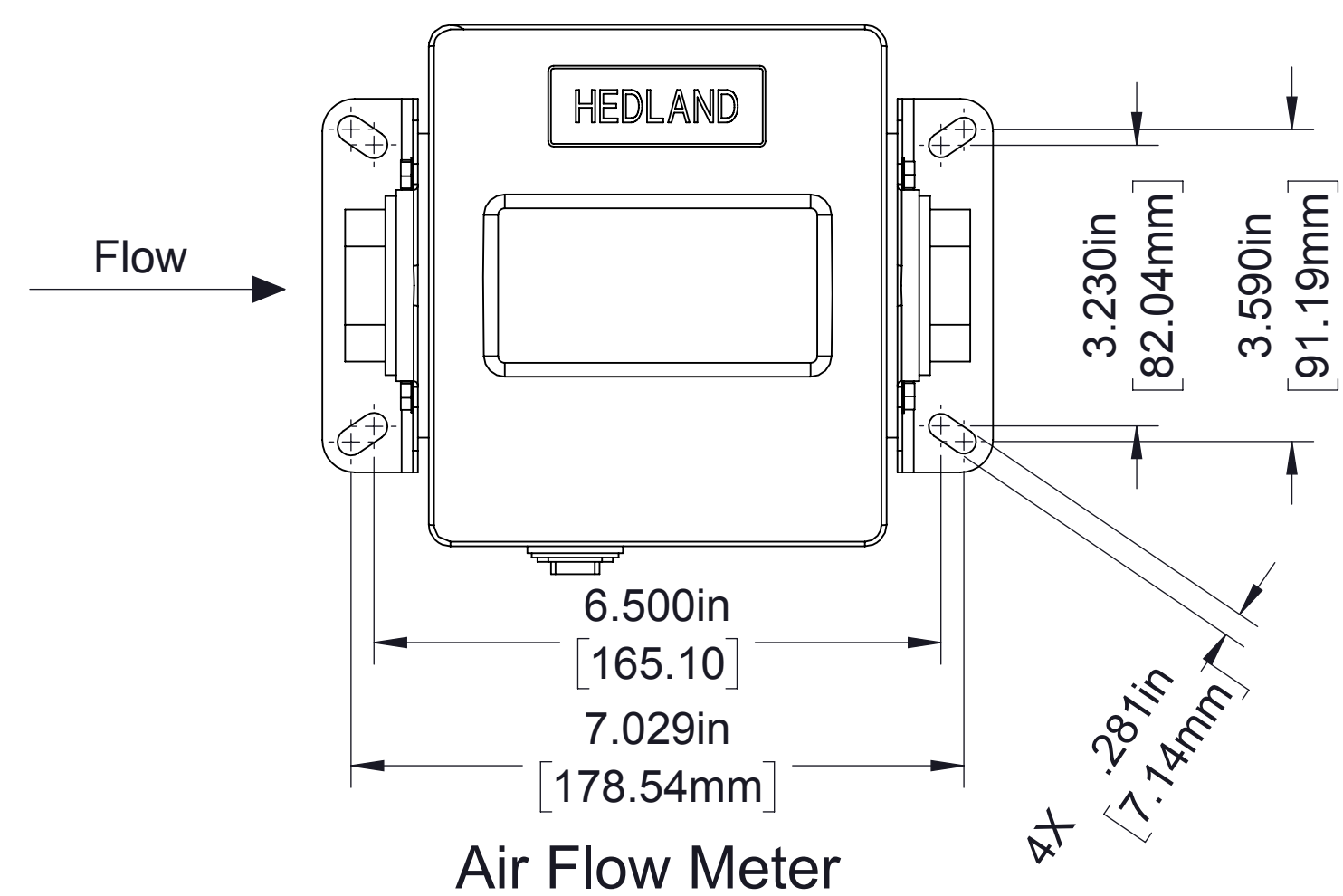
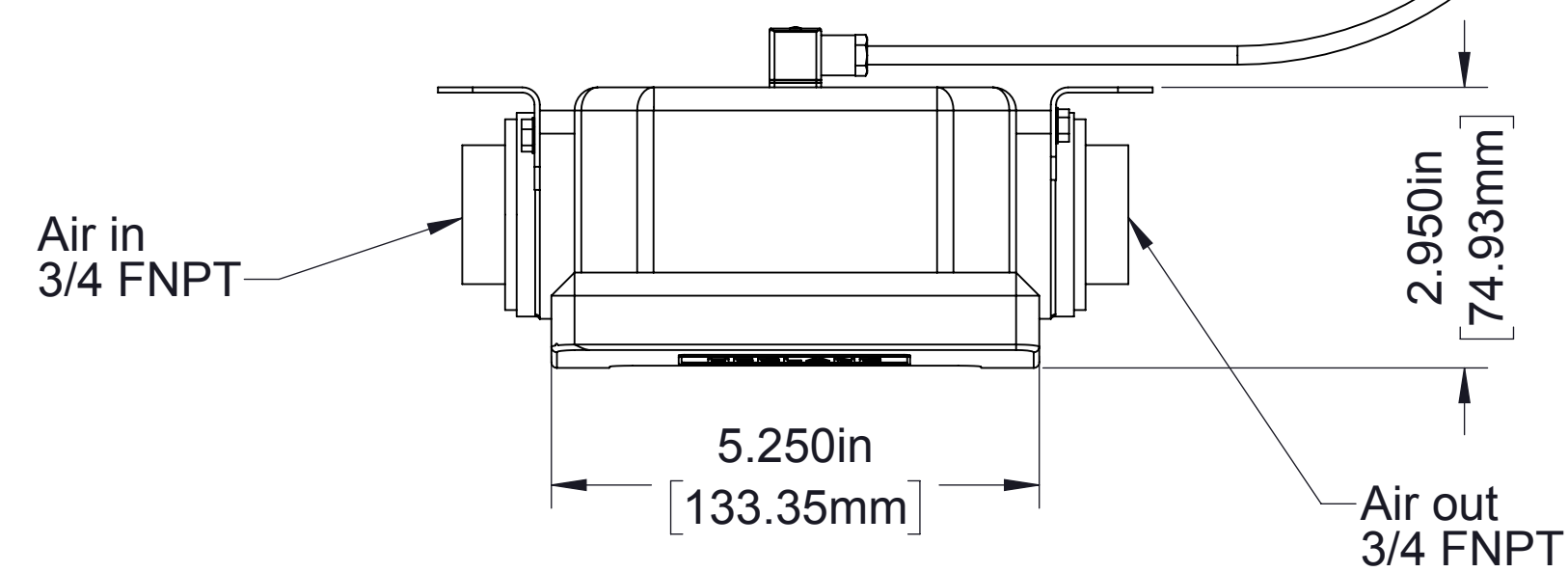
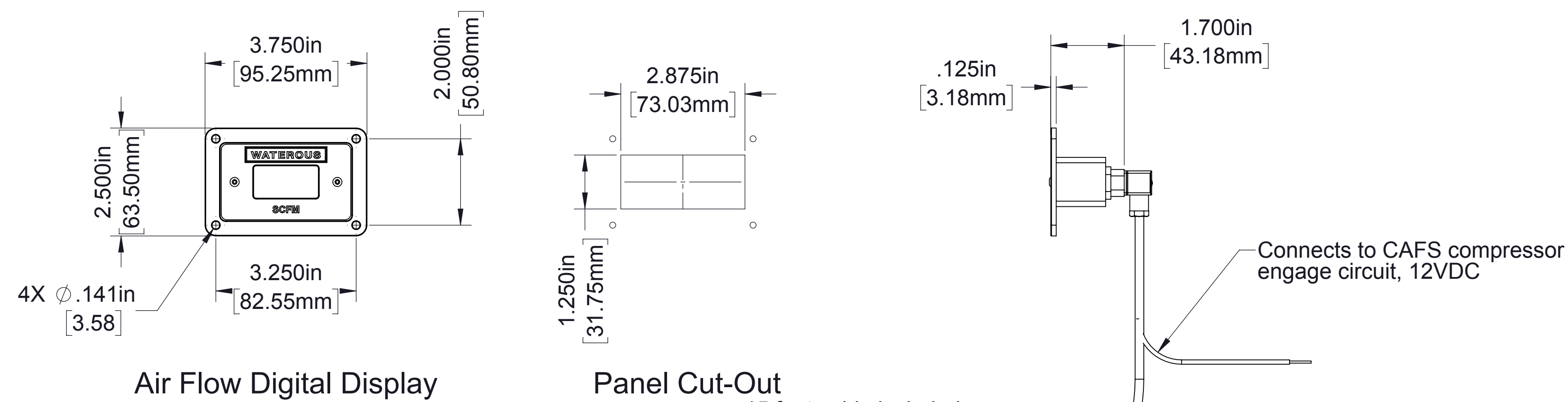
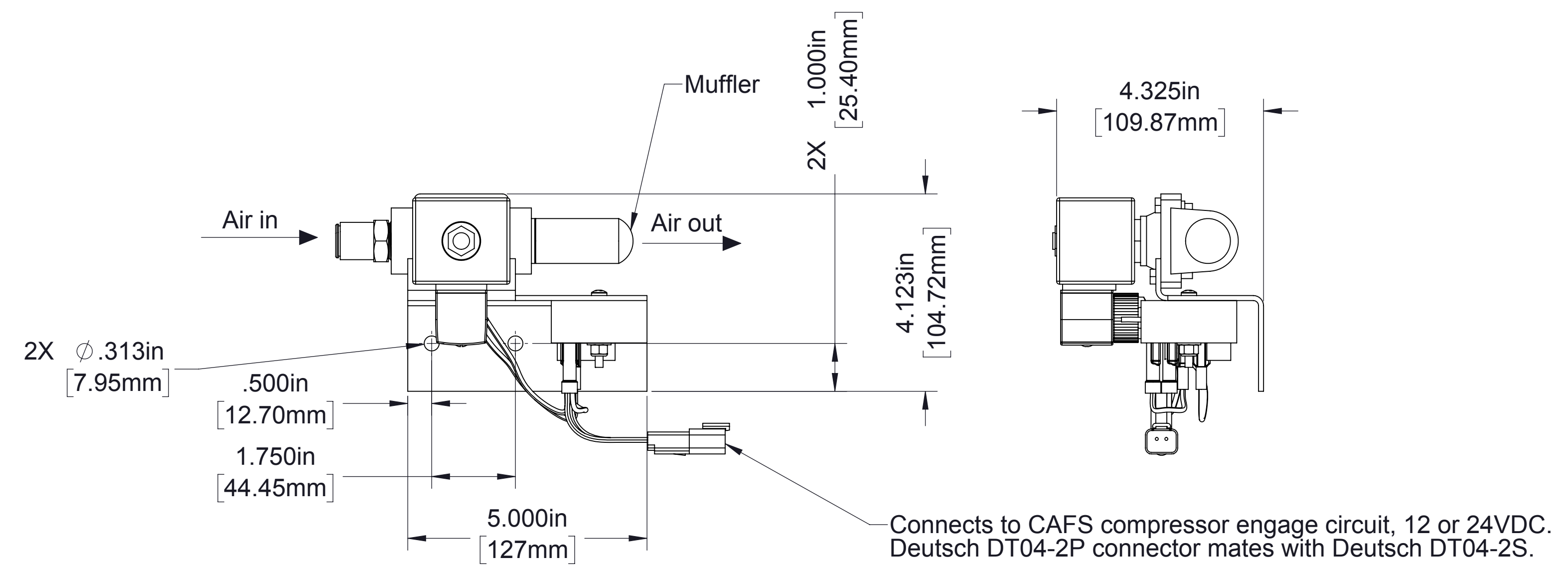
1/4 FNPT Connection
(Hoses and fittings furnished),
order part number 83360-3A

3/4 FNPT Connection
(Hoses and fittings furnished),
order part number 83360-3B

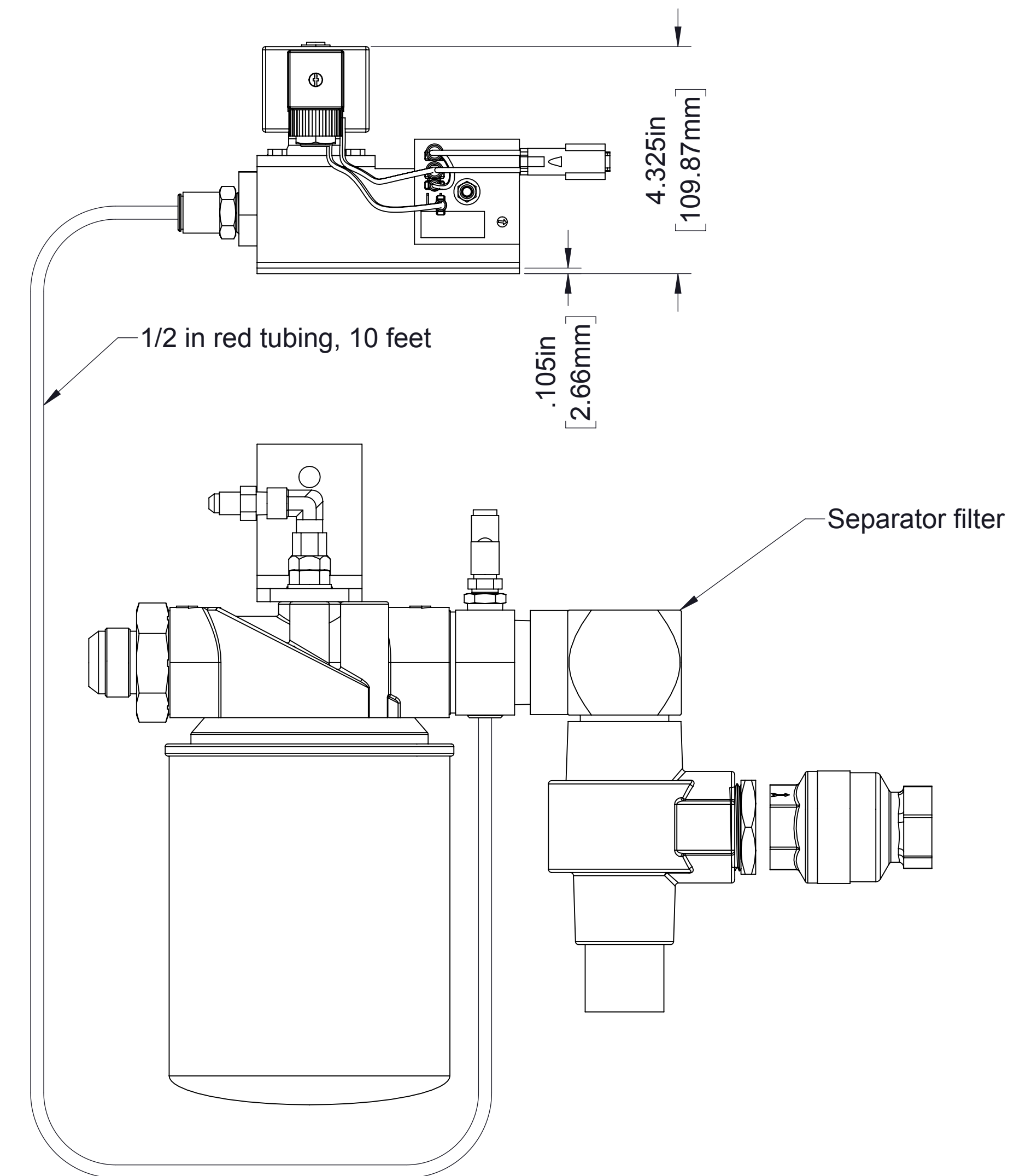
Optional Auxiliary Air Connection



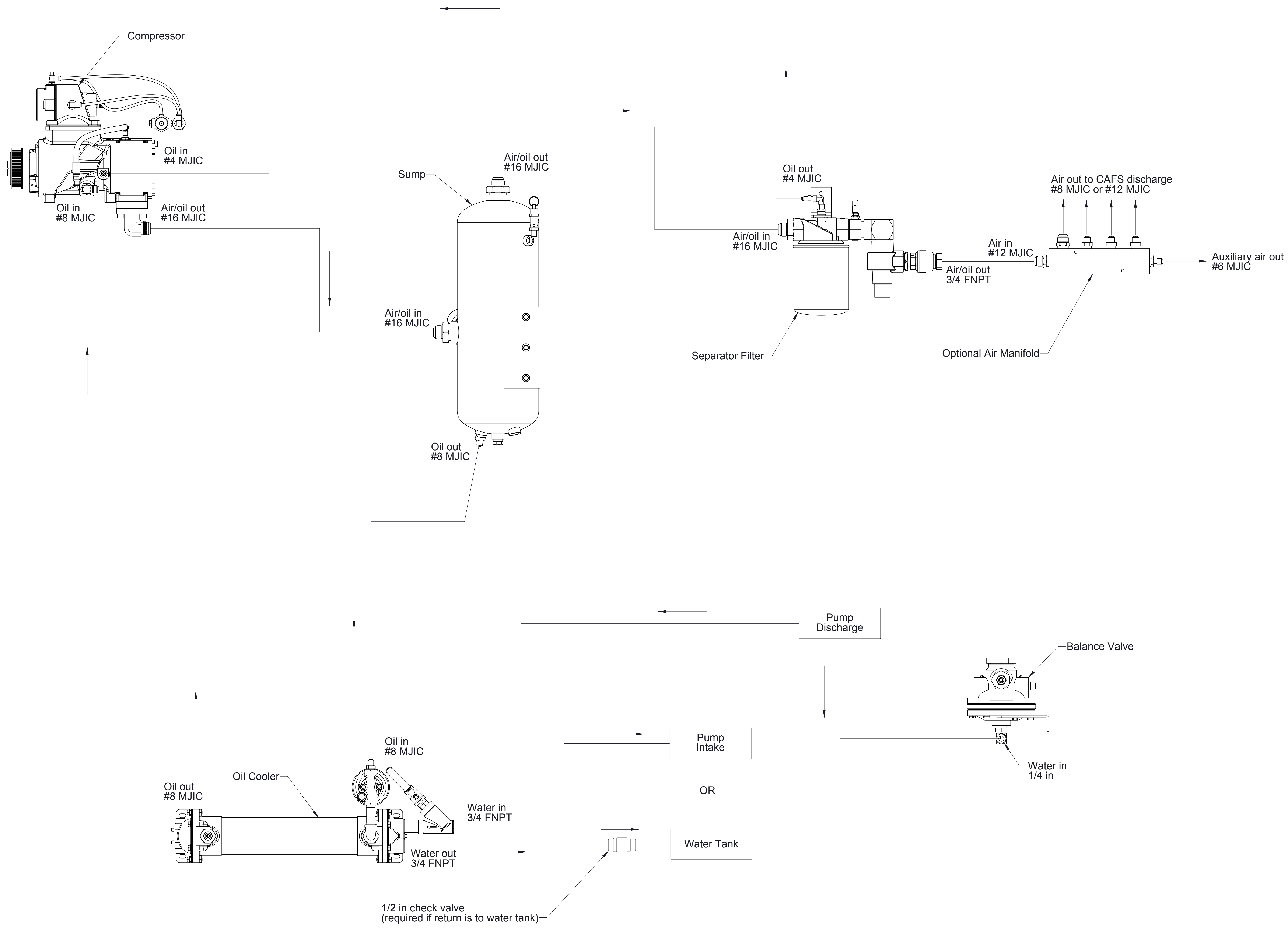
Optional Air Pressure Gauge
 Single Mpa scale order part number 83417-1A
 Dual PSI/Kpa scale order part number 83417-1B



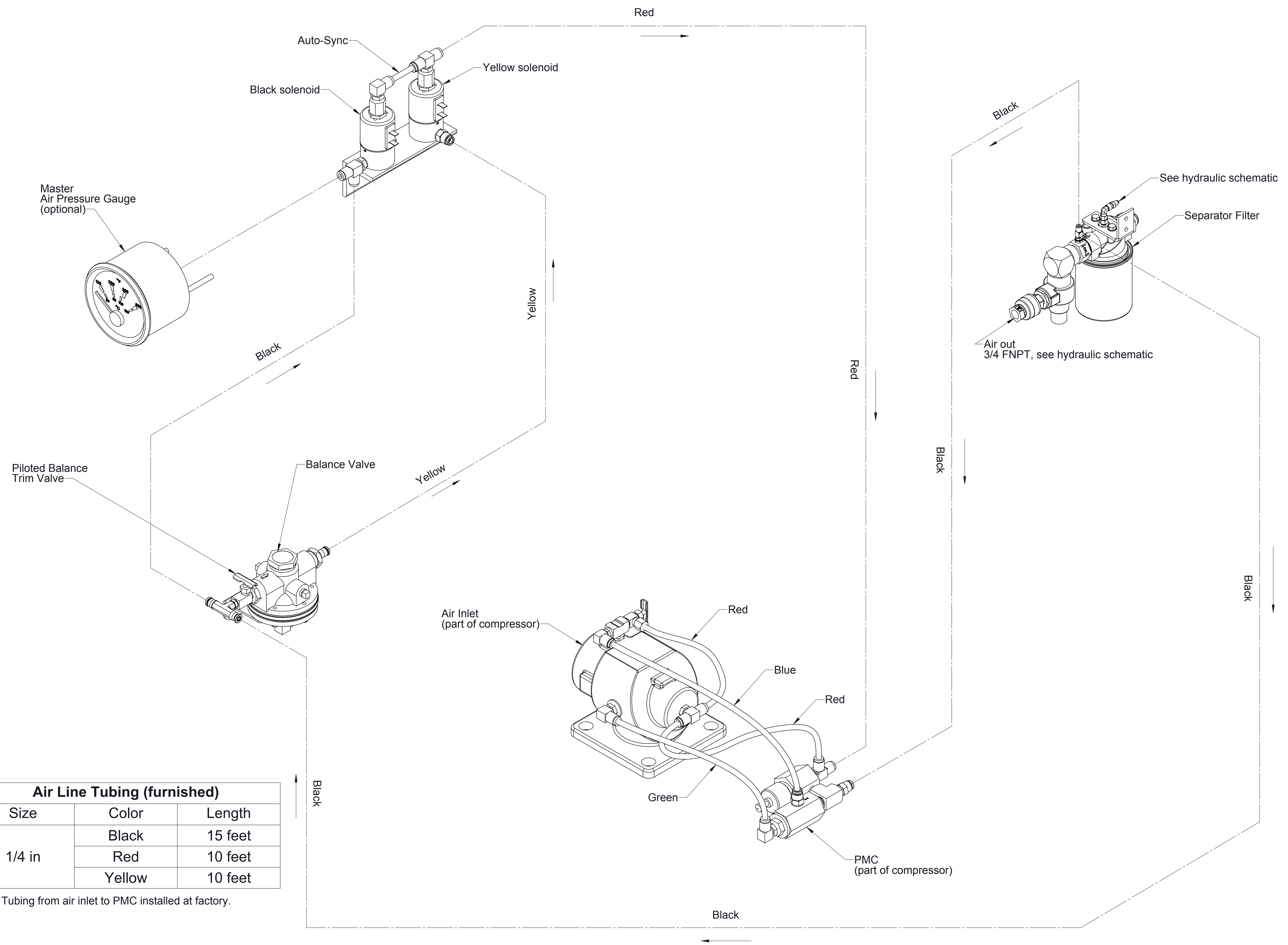
Optional Digital Air Flow Meter
 Order part number Q-0390024, 12V



Optional Sump Vent
 Vents compressor pressure for 10 seconds at startup to prevent engine stalling,
 order part number 83293-2A (12V) or 83293-2B (24V)



Hydraulic Schematic

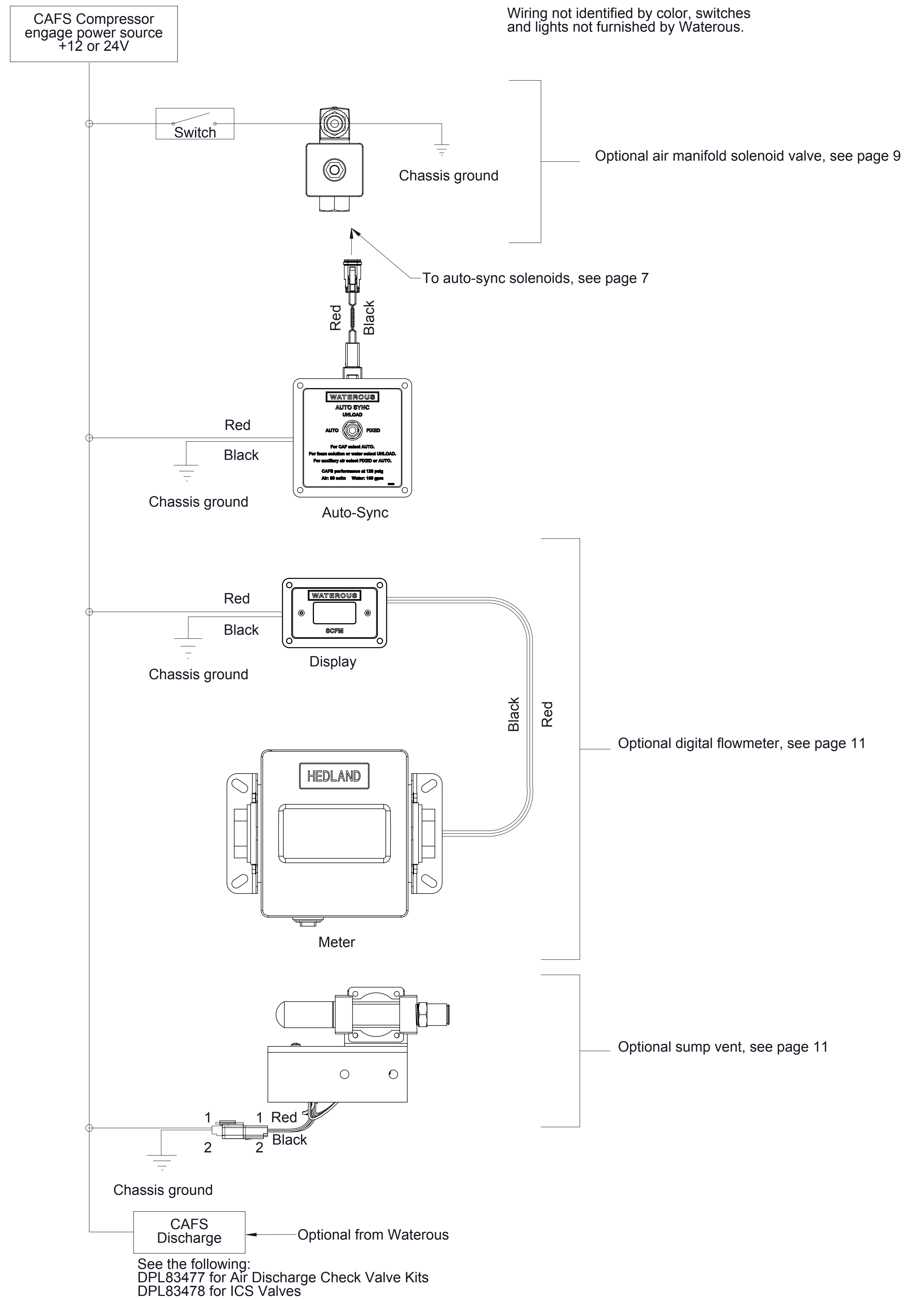
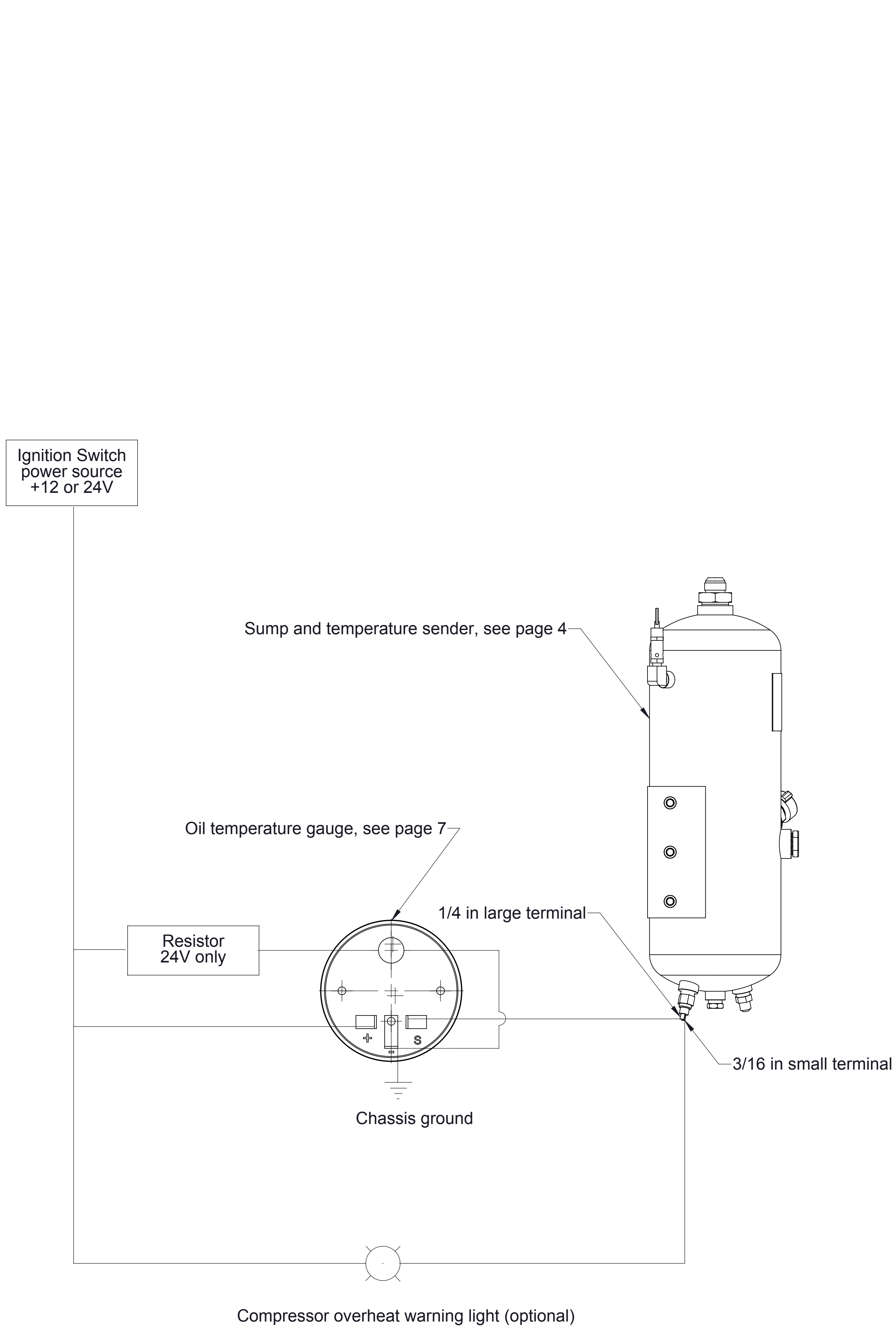


Air Line Tubing (furnished)		
Size	Color	Length
1/4 in	Black	15 feet
	Red	10 feet
	Yellow	10 feet

Note: Tubing from air inlet to PMC installed at factory.

----- Installed by OEM

Air Circuit Schematic



Notes:
1. Wiring and light not furnished by Waterous.
2. All wire 16 gauge unless noted otherwise.