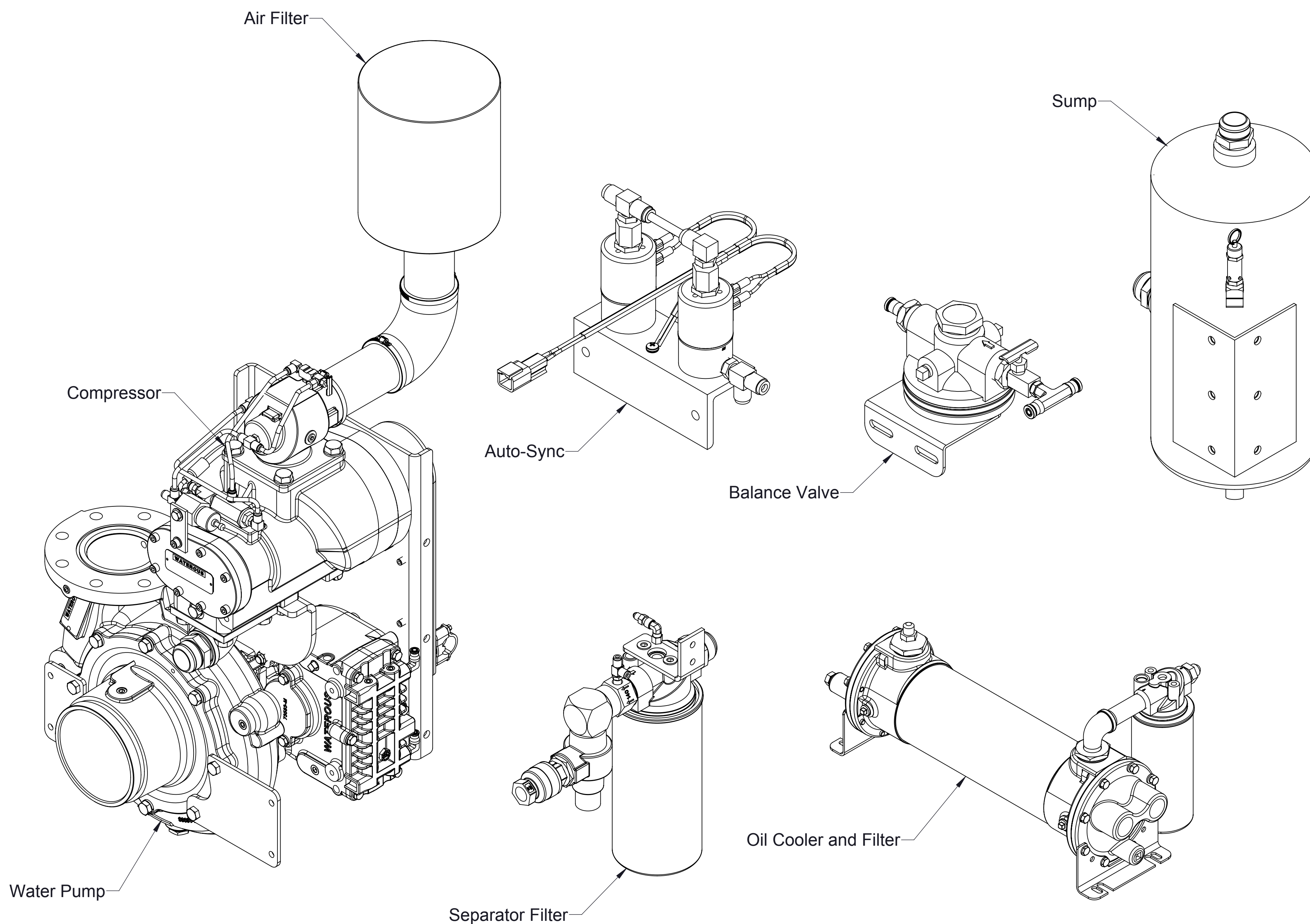


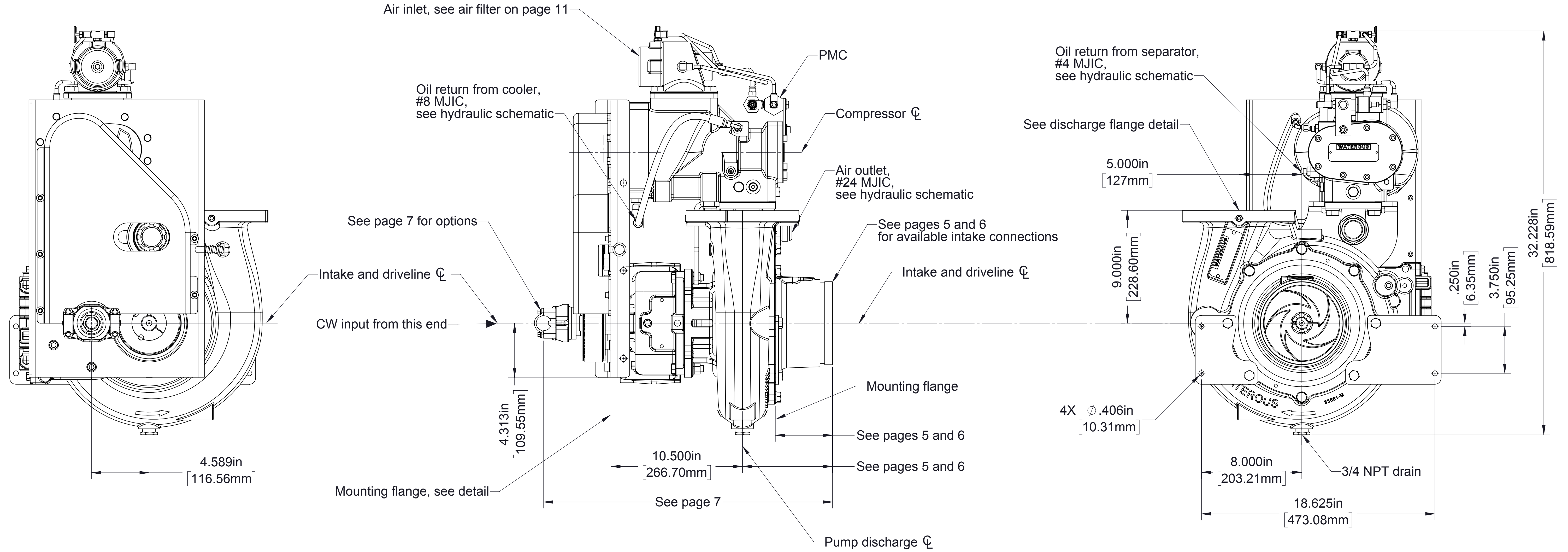
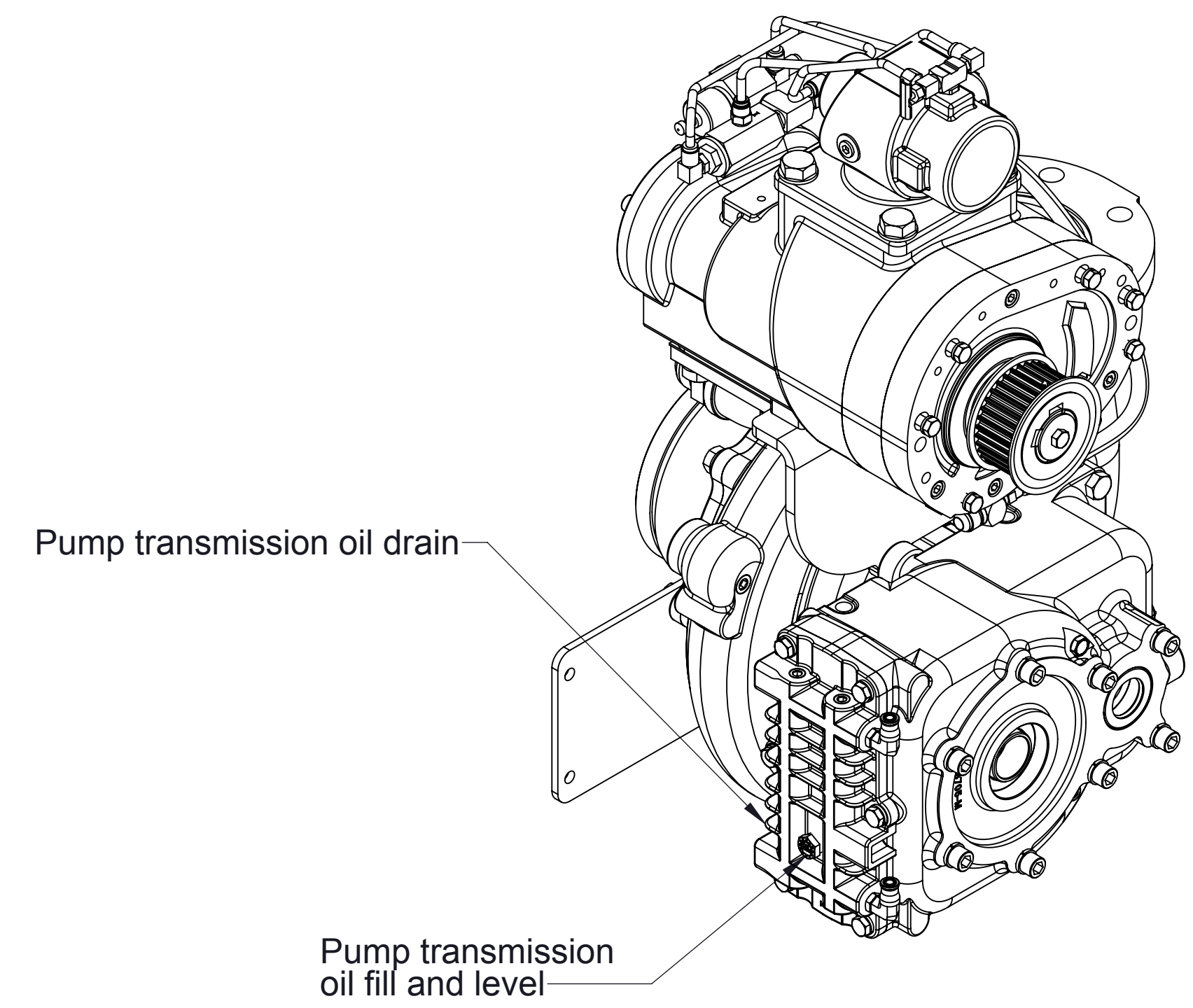
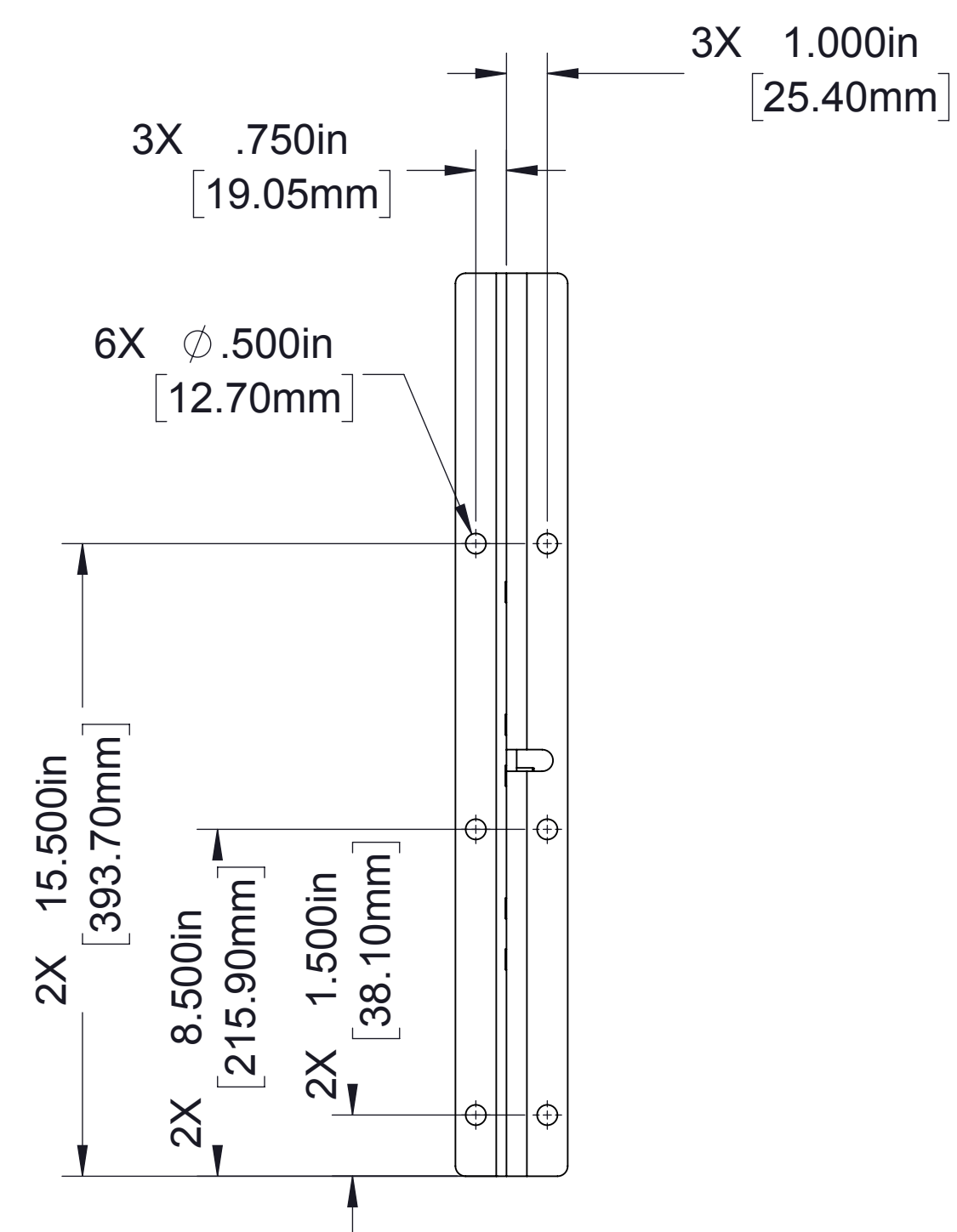
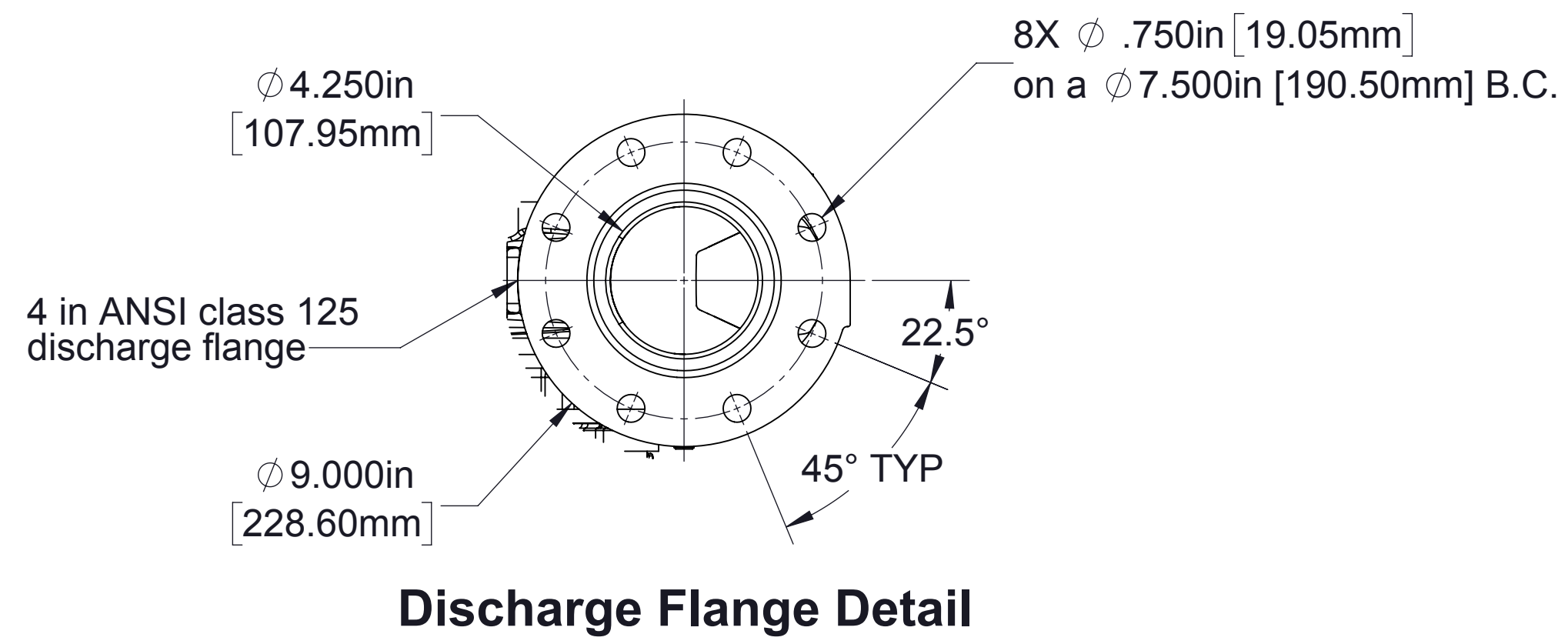
PTO Compressor System Dimensional Drawings

Models 750-150-P, 1000-150-P, 1250-150-P
Includes fire pump models: CXNK, CXSK, CXVK OR CXNPA, CXSPA, CXVPA

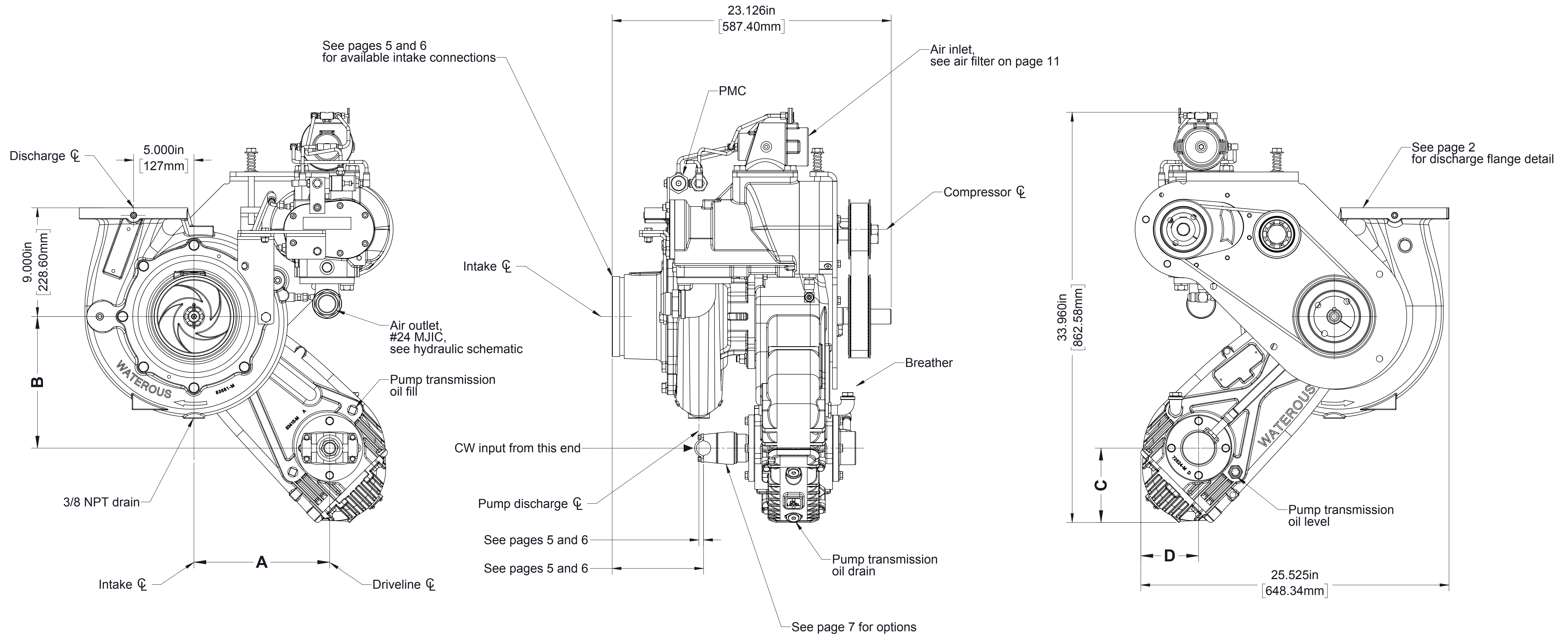
Models 750-150-T, 1000-150-T and 1250-150-T
Includes Fire Pump Models: CXNT, CXST, CXVT



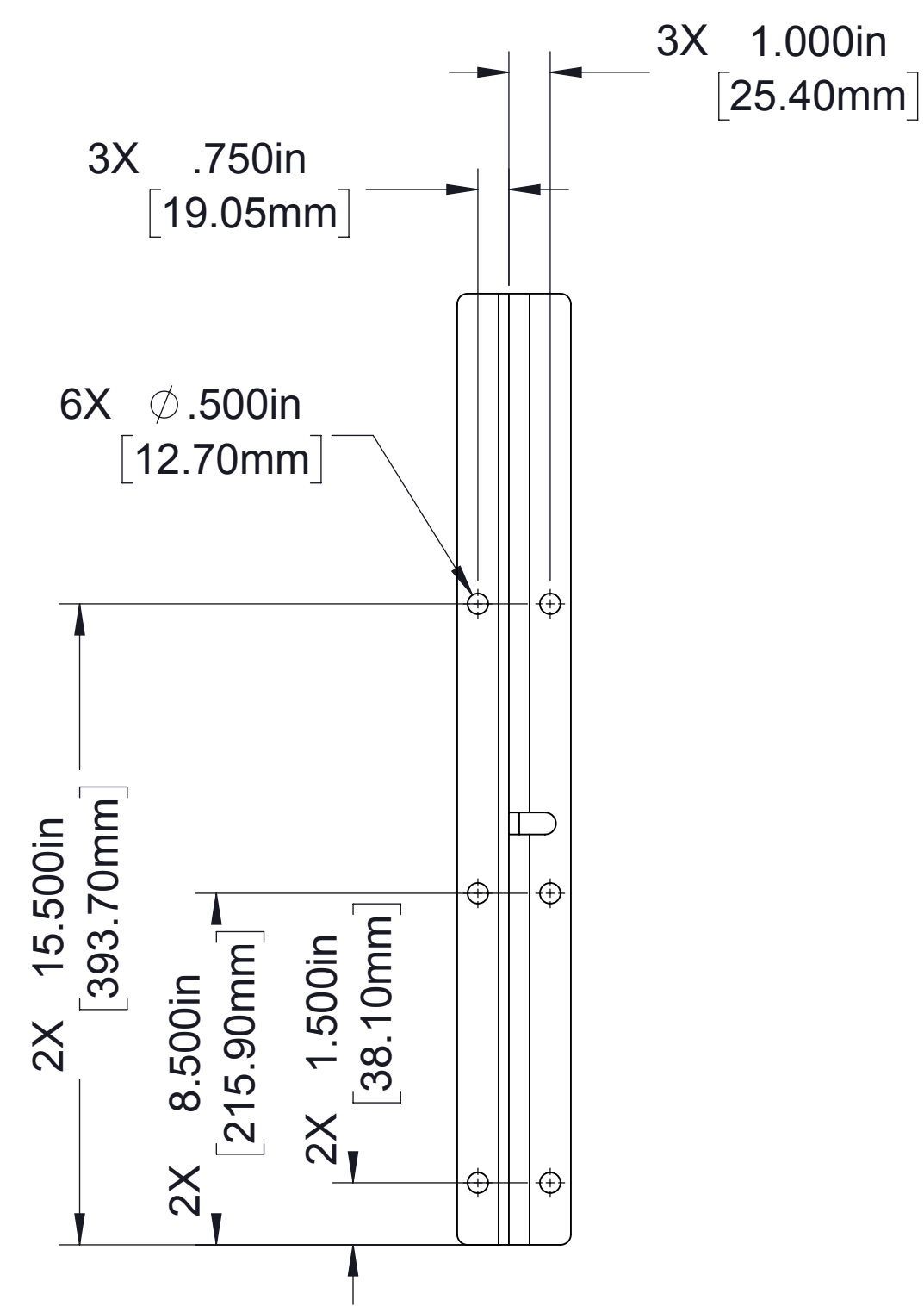
Standard Components:	Page
• Compressor and Water Pump	
• Models with K Series Transmission	2
• Models with PA Series Transmission	3
• Models with T Series Transmission	4
• Available Pump Intake Connections	
• Pump Models CXN and CXV	5
• Pump Model CXS	6
• Available Companion Flanges and End Yokes	7
• Available Bellhousing Adapters for T Transmission	8
• Sump (Oil Reservoir)	9
• Oil Cooler and Filter	10
• Air Filter	11
• Separator Filter	11
• Auto-Sync	12
• Balance Valve	12
• Oil Temperature Gauge	12
• Panel Plates	12
• Sump Vent	16
Optional Components:	
• Air Oil Cooler (Electric Fan)	13
• Air Distribution Manifold	14
• Auxiliary Air Connection	15
• Air Pressure Gauge	16
• Digital Flow Meter	16
• Oil Inject Check Valve	See DPL83810
• Hose and Fitting Kit	See DPL83810
CAF Discharge:	
• Air Discharge Check Valve Kits	See DPL83477
• ICS Valves	See DPL83478
• Static Mixers	See DPL83603
• Manifolds	See DPL83682
Foam Pumps:	
• Models Aquis 1.5, 3.0 or 6.0	See F-1031-2447
Schematics:	
• Hydraulic	17
• Air Circuit	18
• Electrical	19



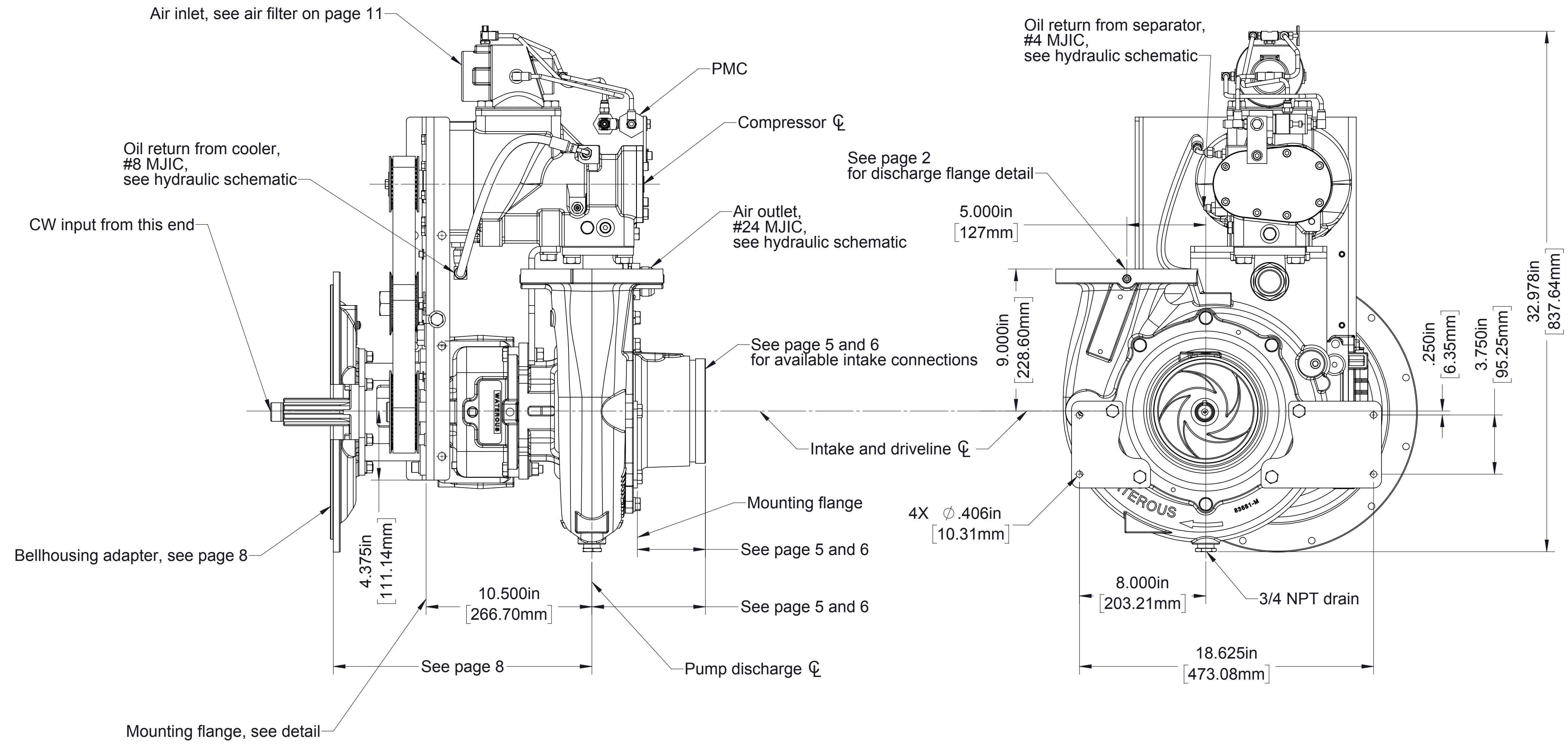
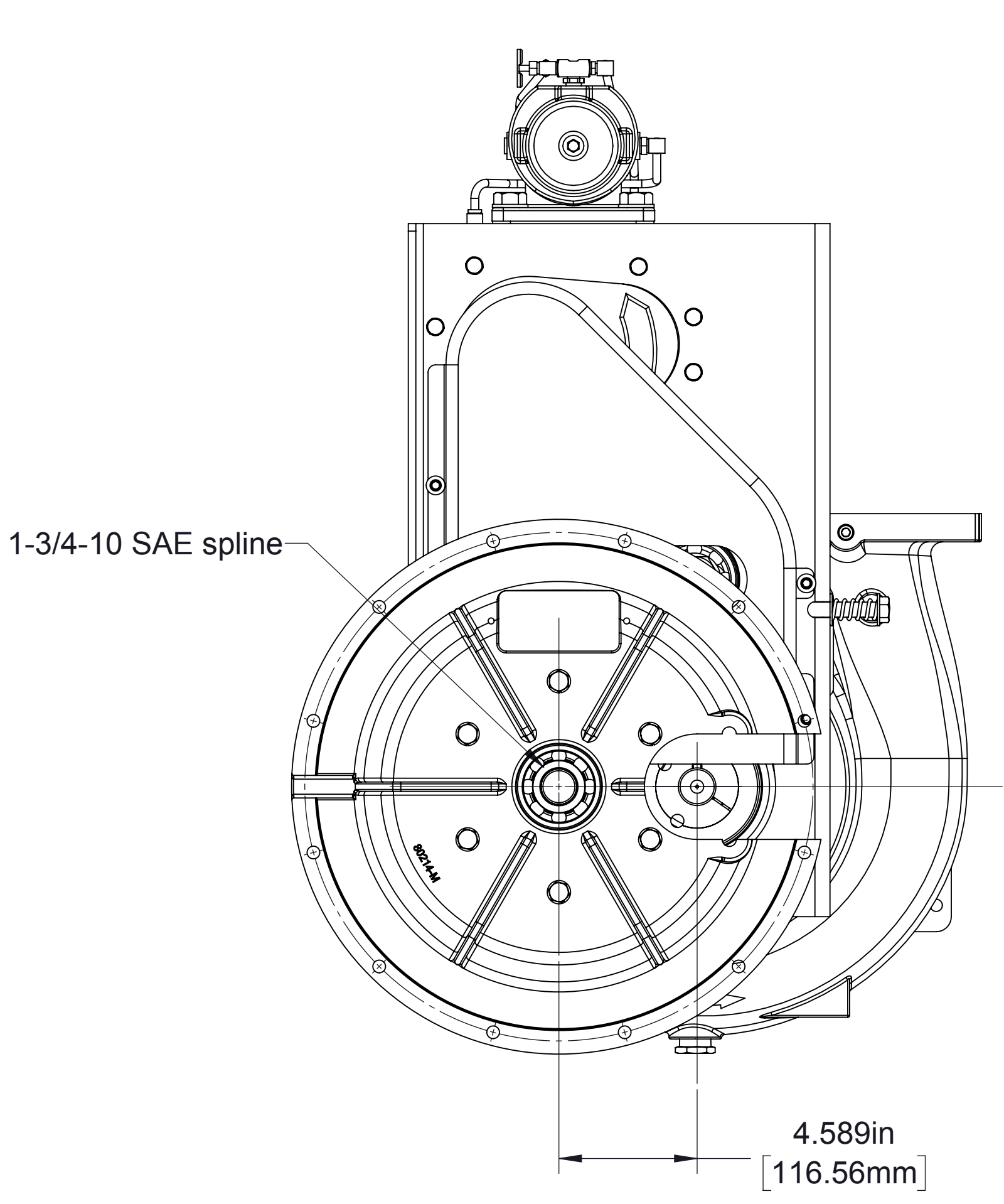
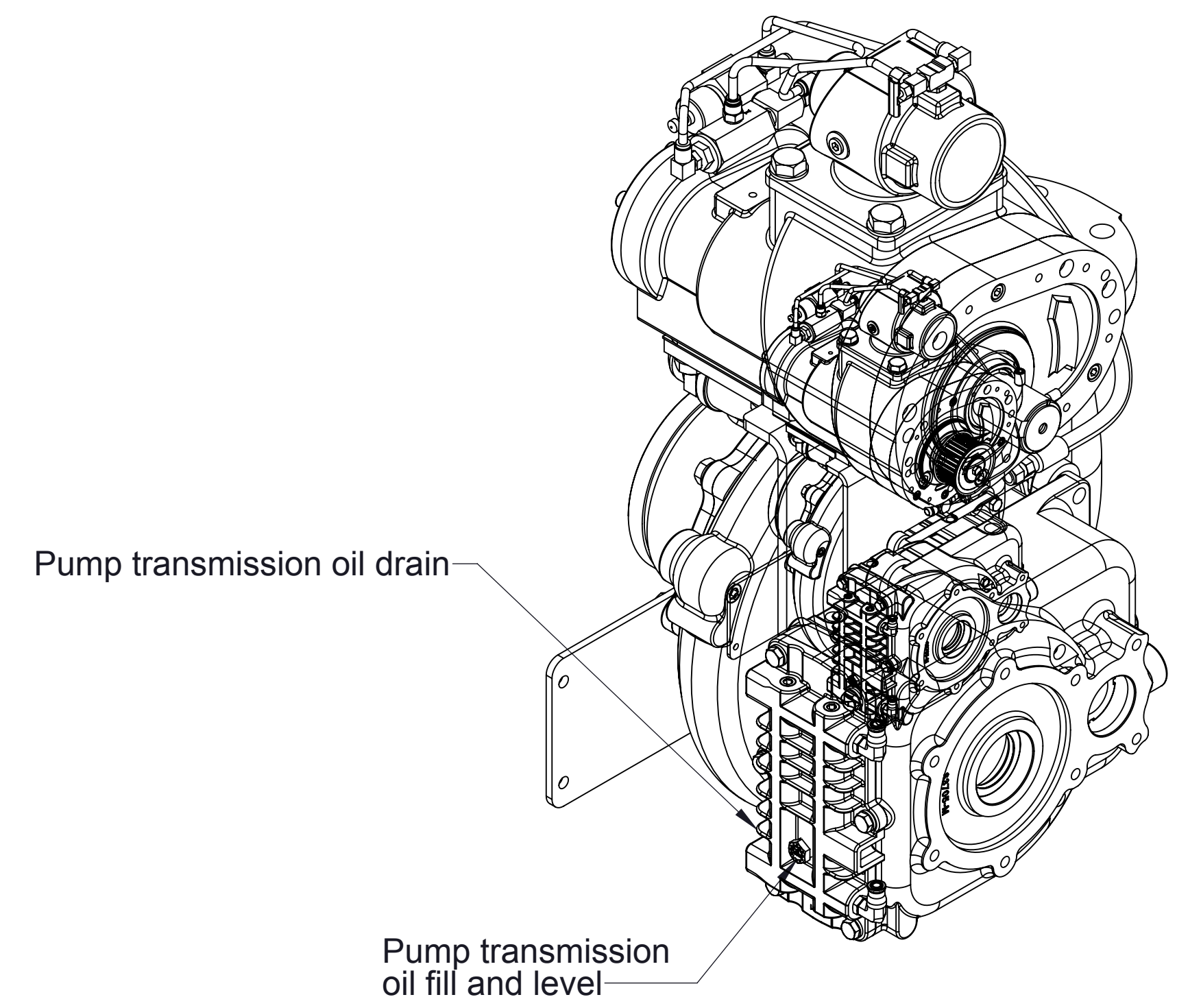
Ratio	A	B	C	D
1.70	11.288/286.71	10.943/277.94	6.111/155.22	4.737/120.32
1.90	11.269/286.24	10.924/277.47	6.130/155.70	4.755/120.79
2.10	11.239/285.46	10.894/276.70	6.160/156.46	4.786/121.56



Compressor and Water Pump
(PA Transmission)

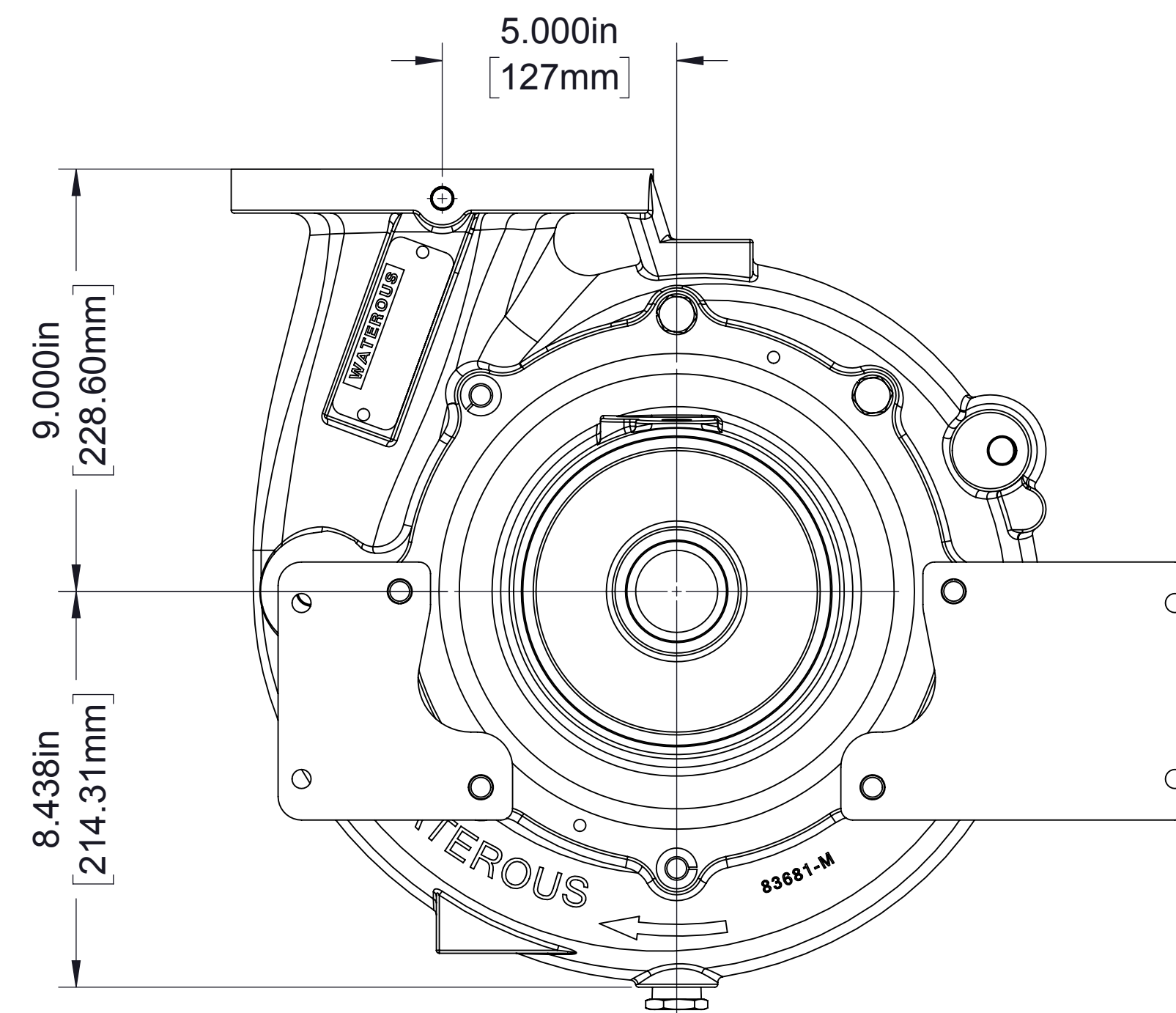
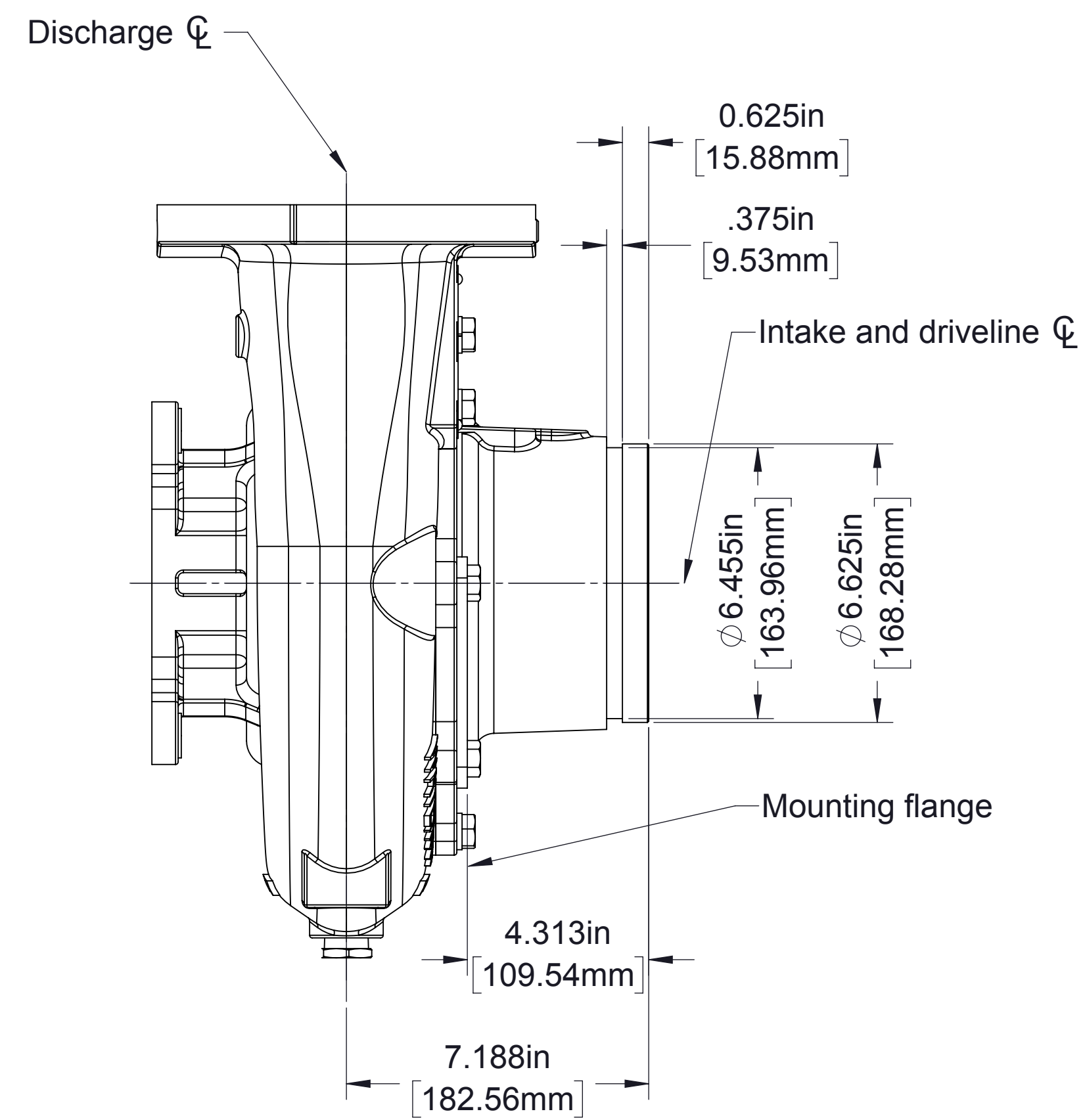


Mounting Flange Detail

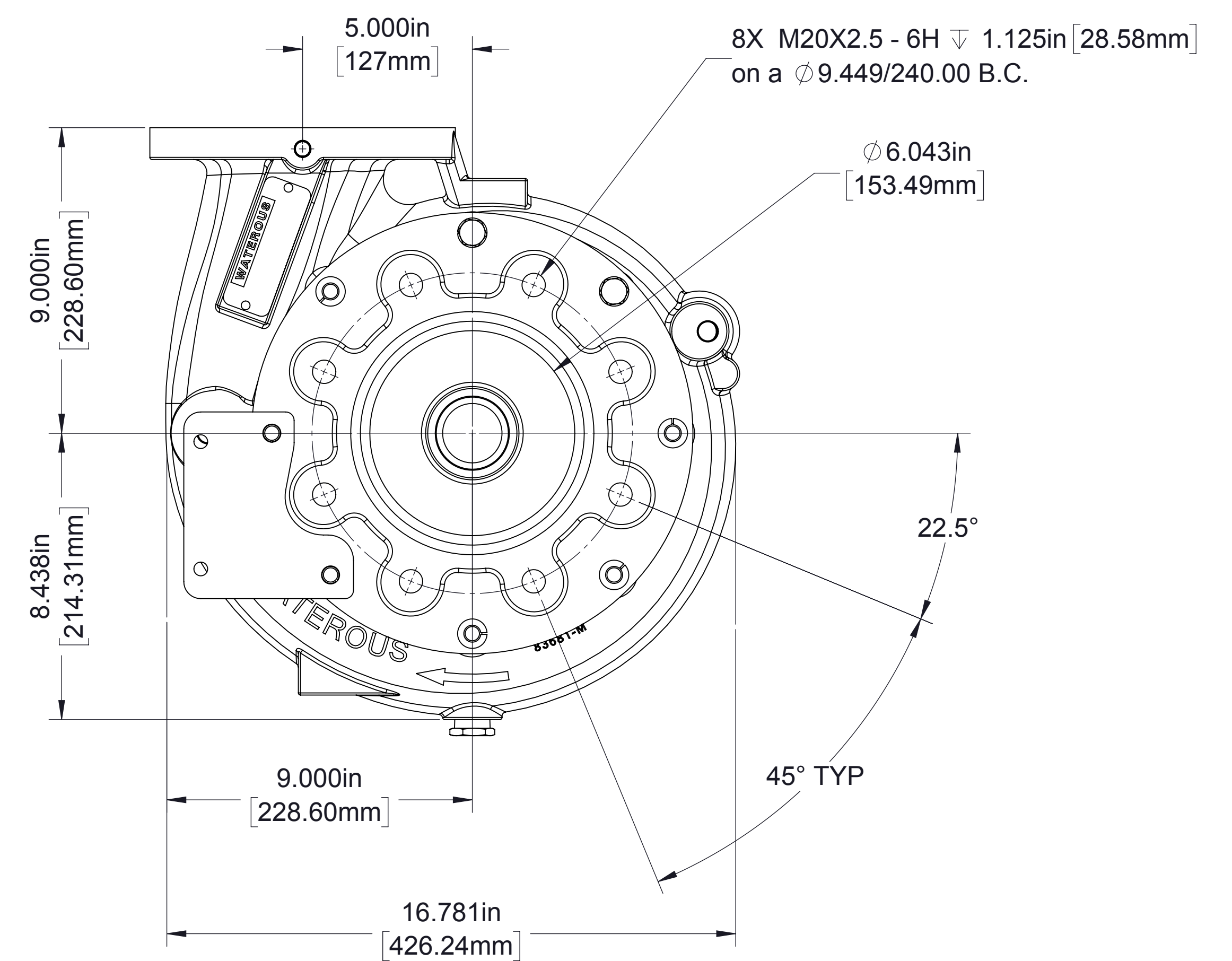
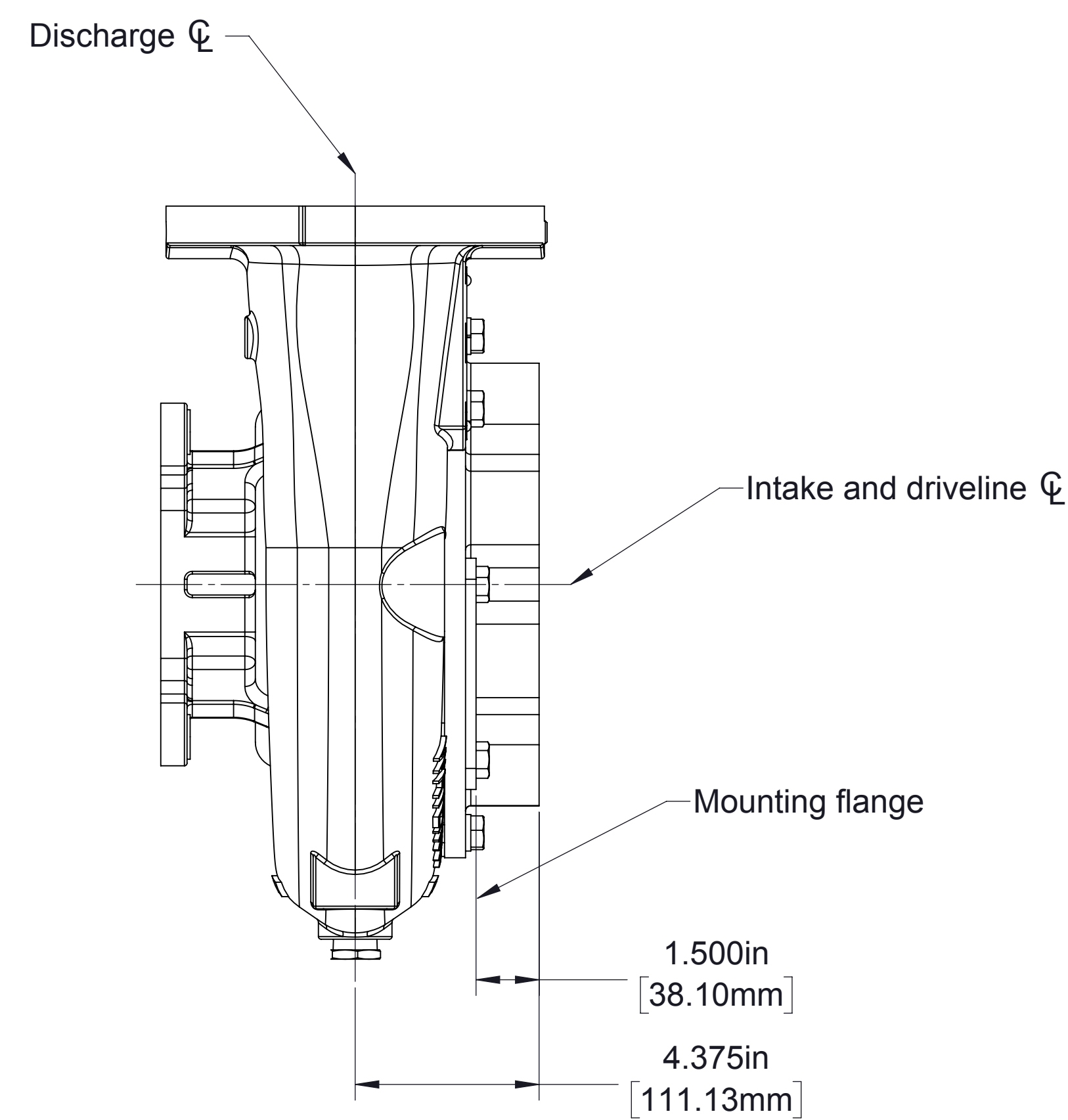


**Compressor and Water Pump
(T Transmission)**

All dimensions shown as inch/millimeter

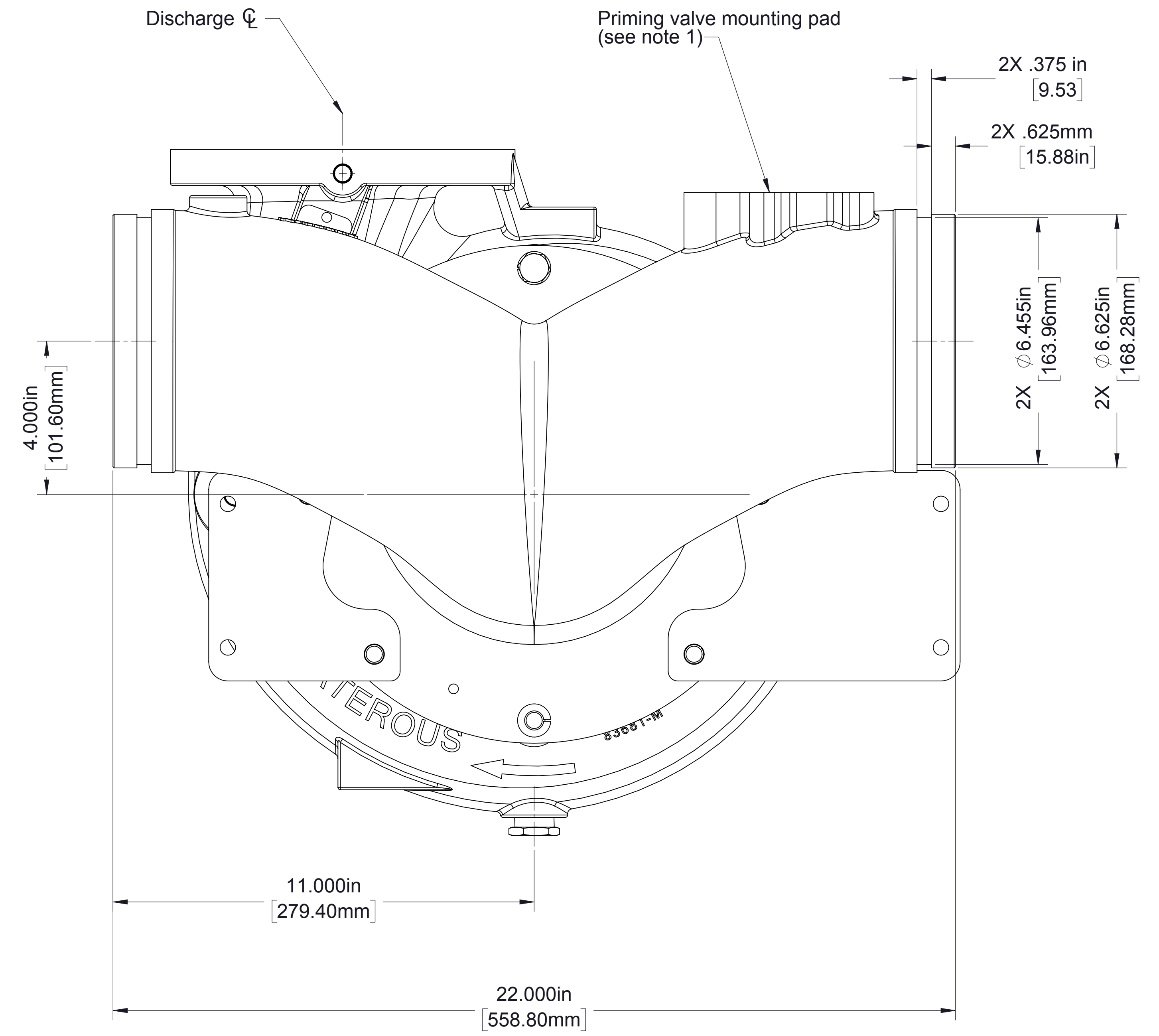
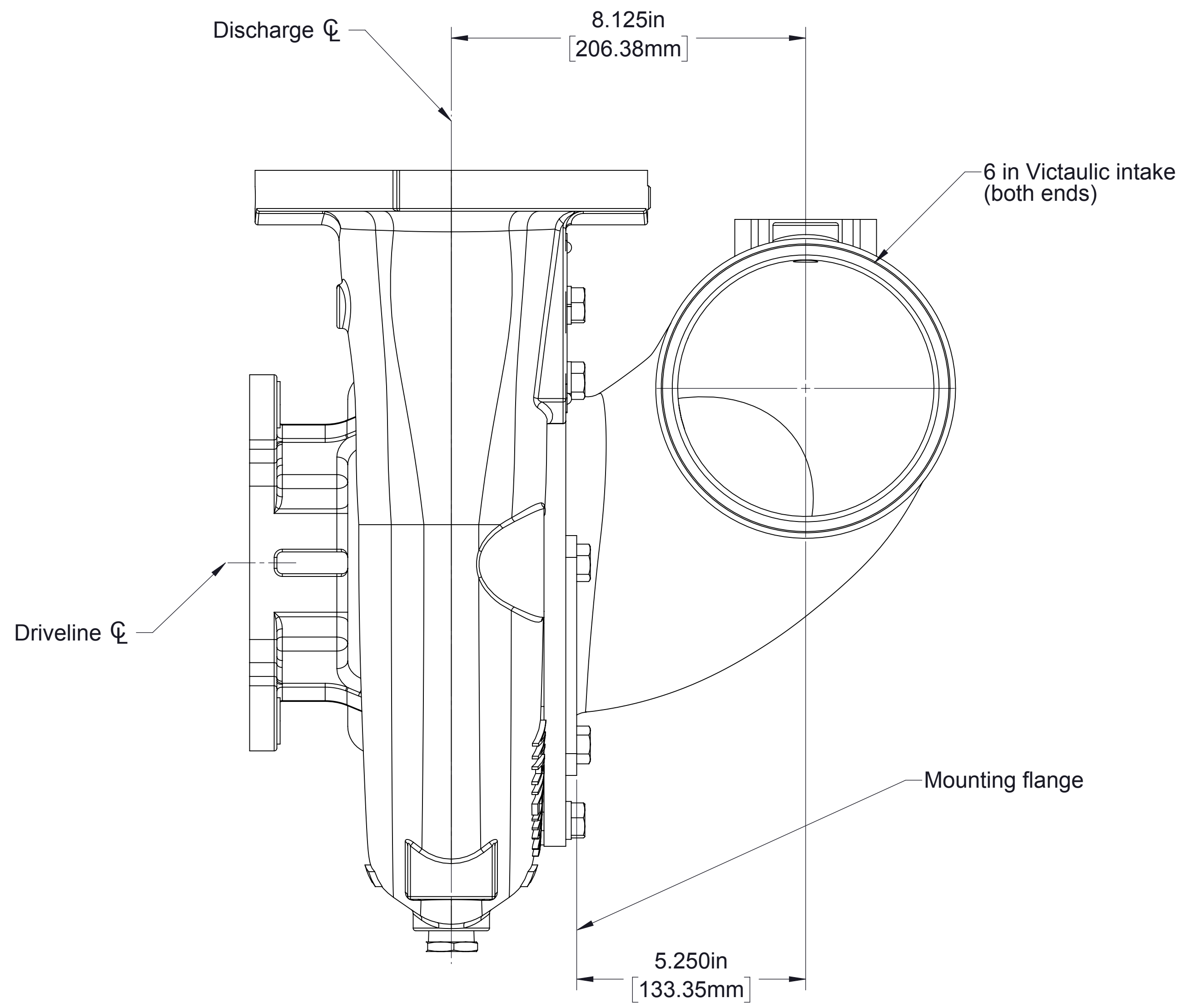


**Single Grooved Intake (6 in)
Pump model CXV**



**Flanged Intake (DIN 150)
(Pump model CXN)**

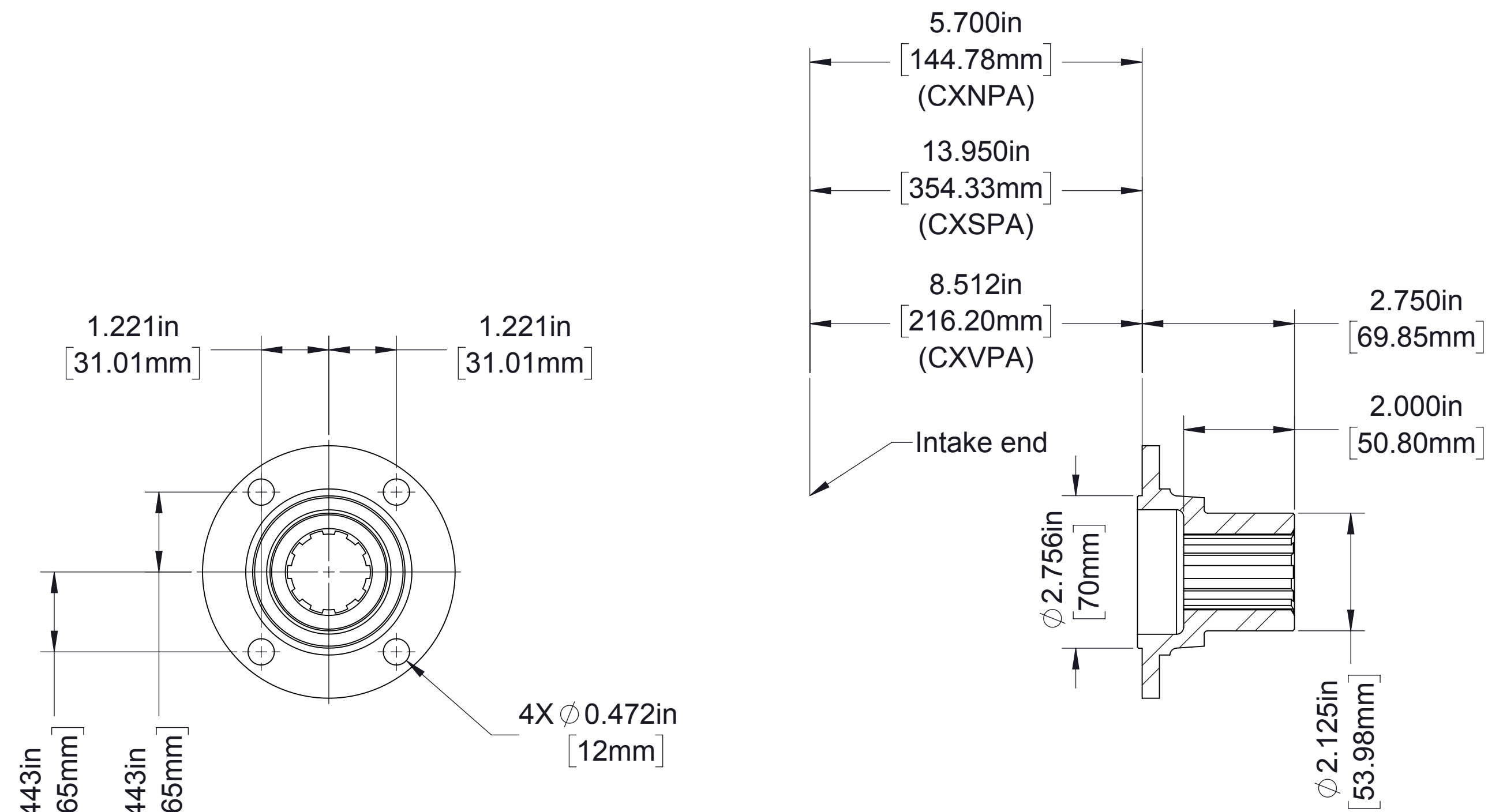
Available Pump Intake Connections



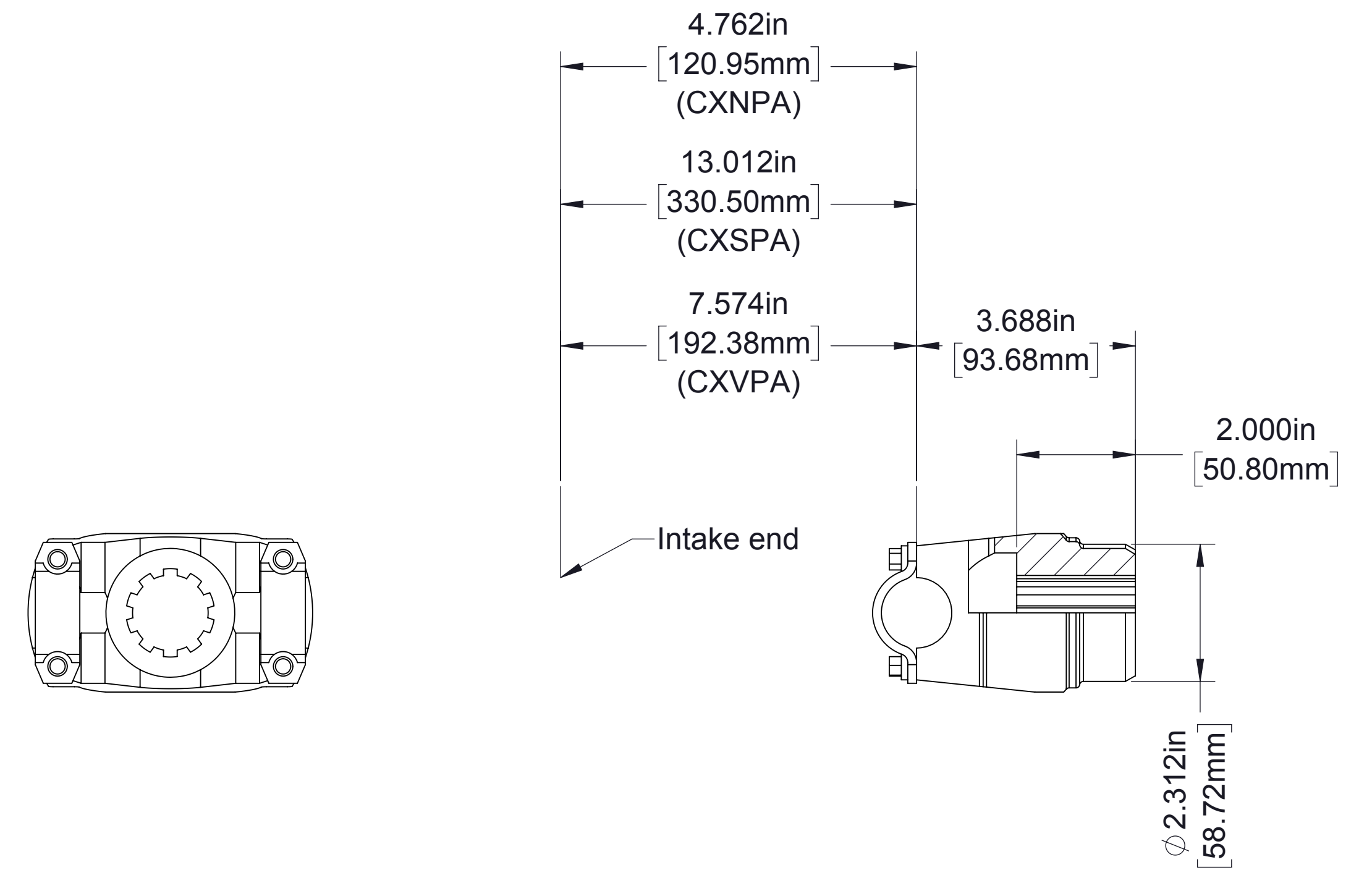
**Dual Grooved Intake (6 in)
Pump model CXS**

Available Pump Intake Connections

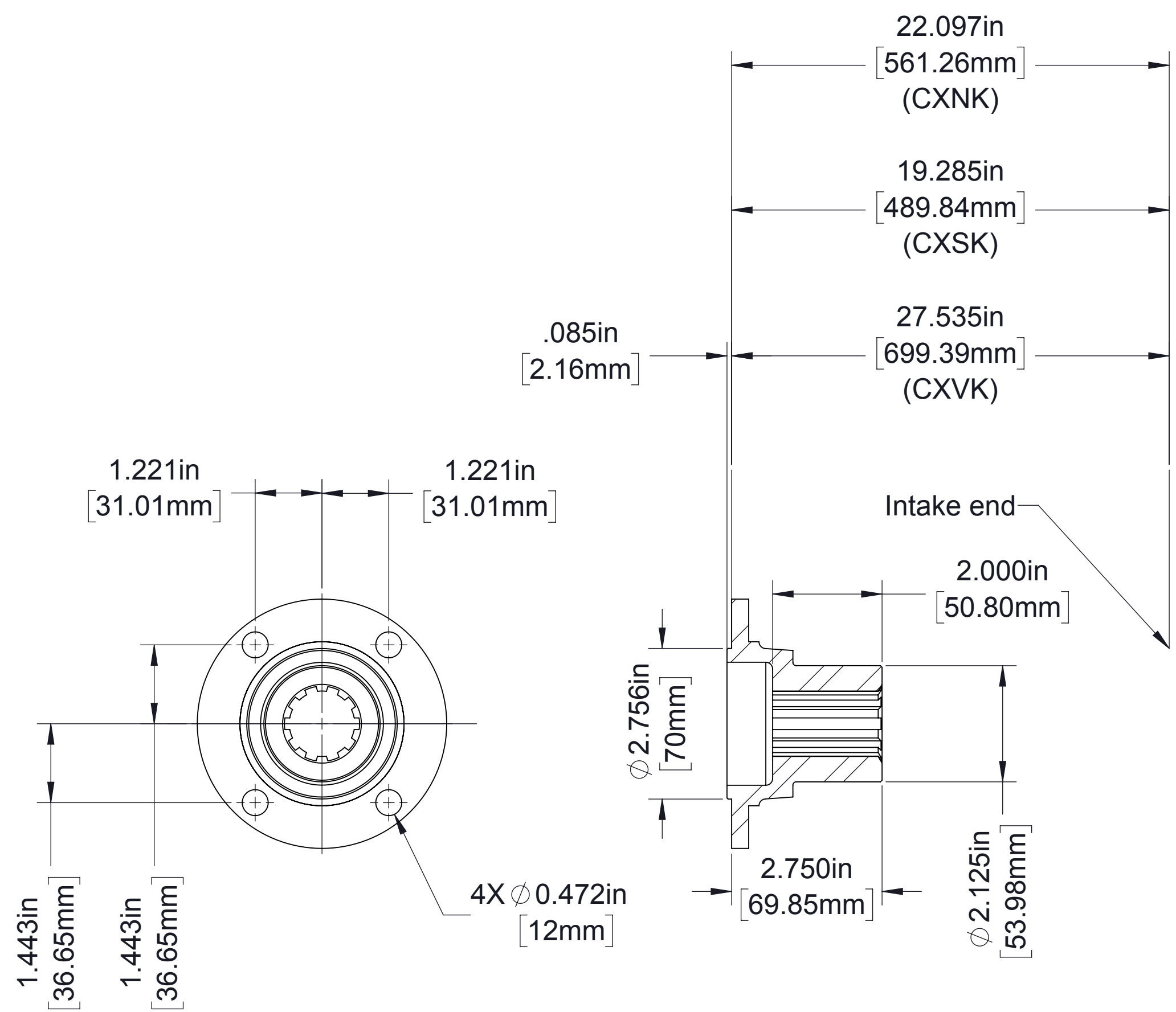
- Notes:
1. See drawing DPL82908 for priming valve details.
 2. Pump mounted relief valve not available.



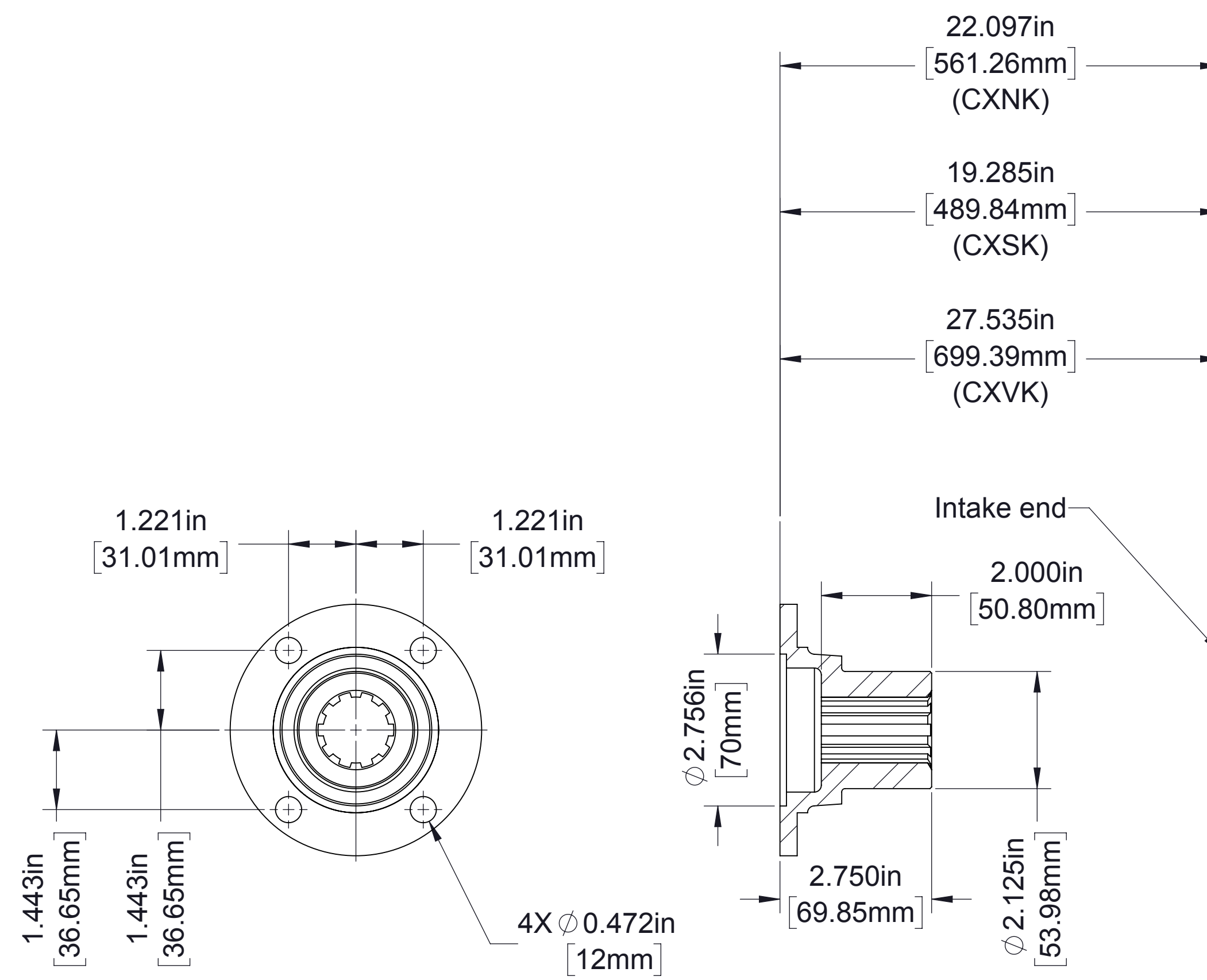
70 mm Male Pilot, part number 73330,
with 1-1/2-10 spline for PA series transmission



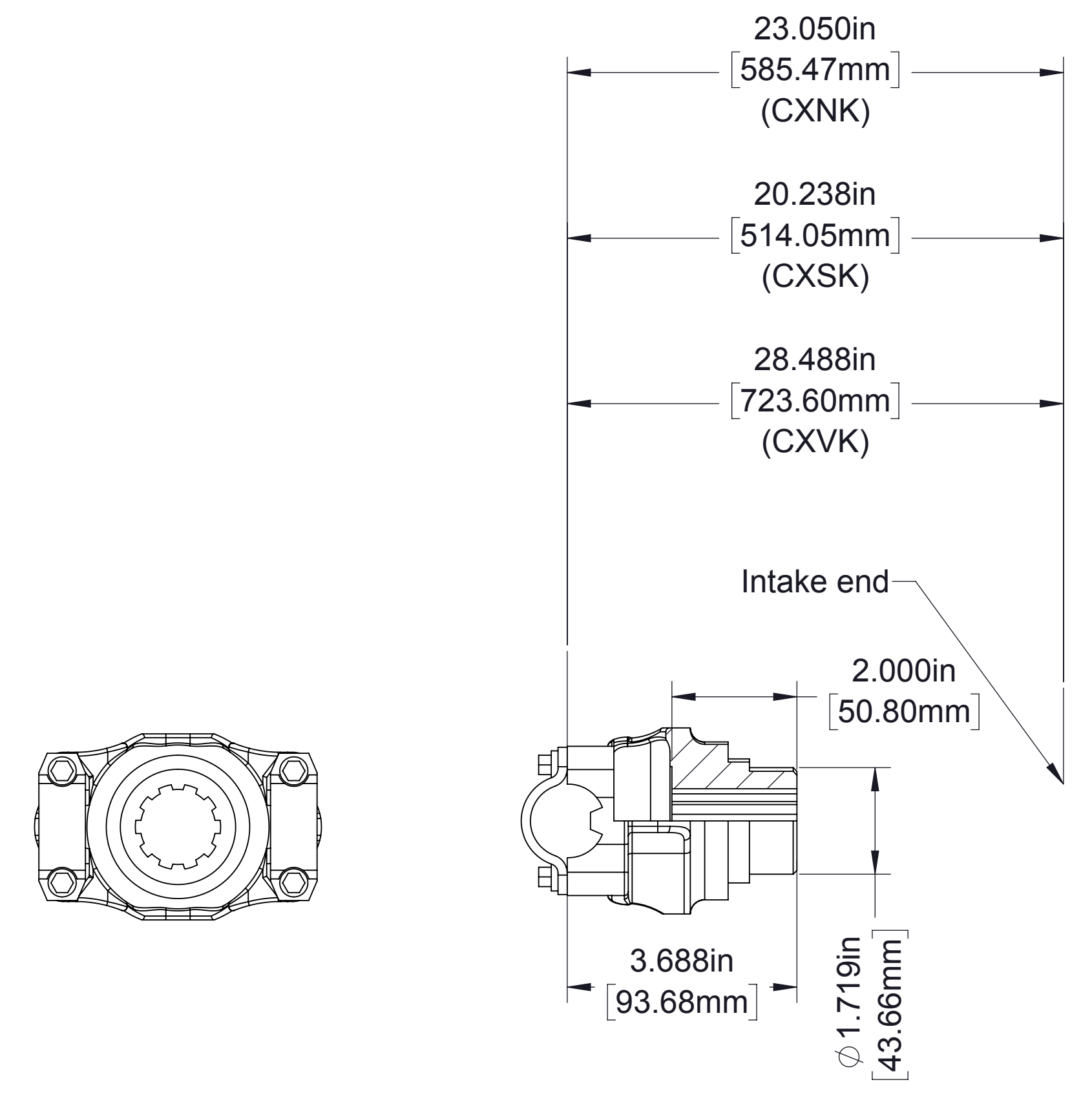
1410 Series, part number V 2861,
with 1-1/2-10 spline for PA series transmission



70 mm Male Pilot, part number 73276,
with 1-3/8-10 spline for K series transmission

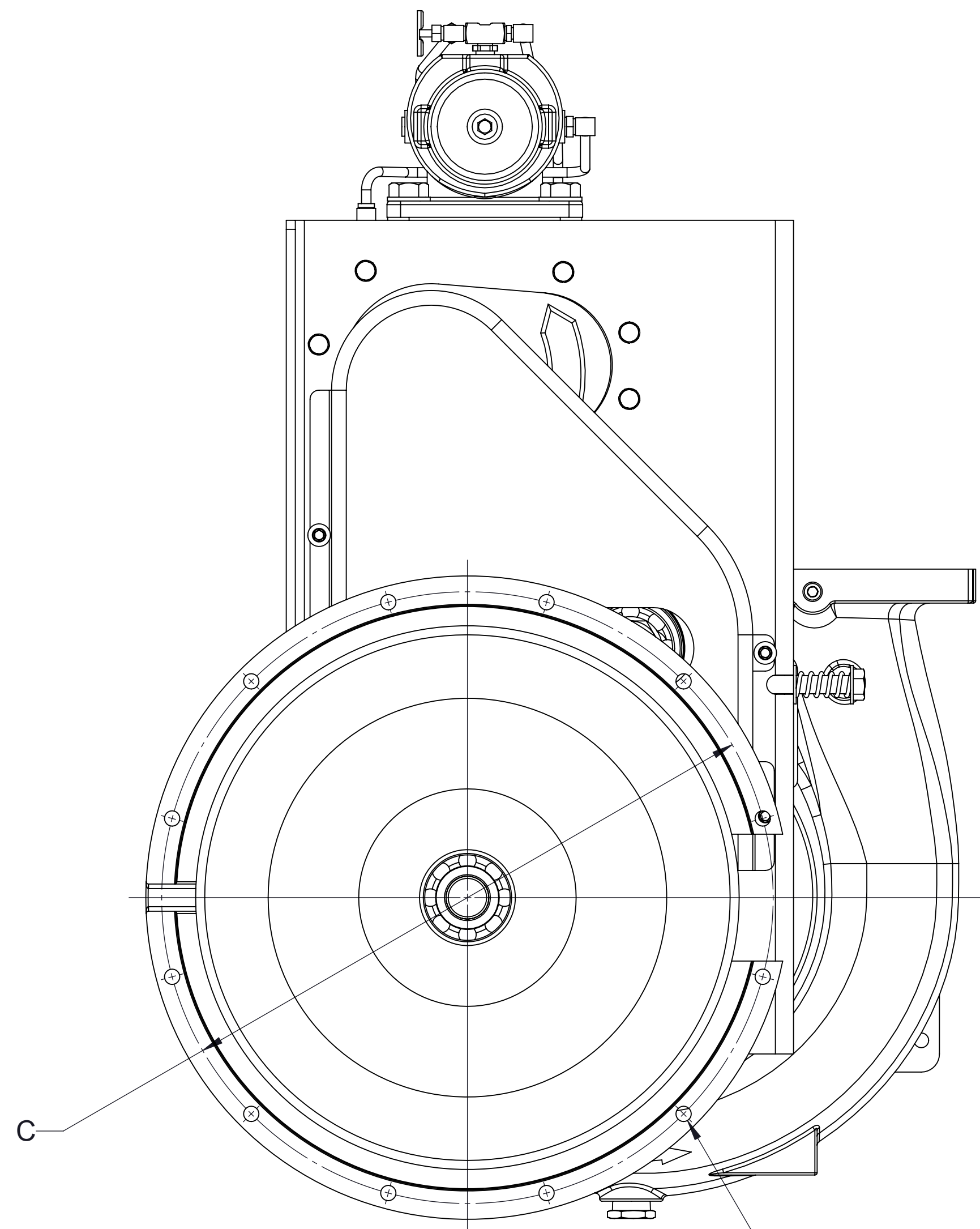


70 mm Female Pilot, part number 73377,
with 1-3/8-10 spline for K series transmission



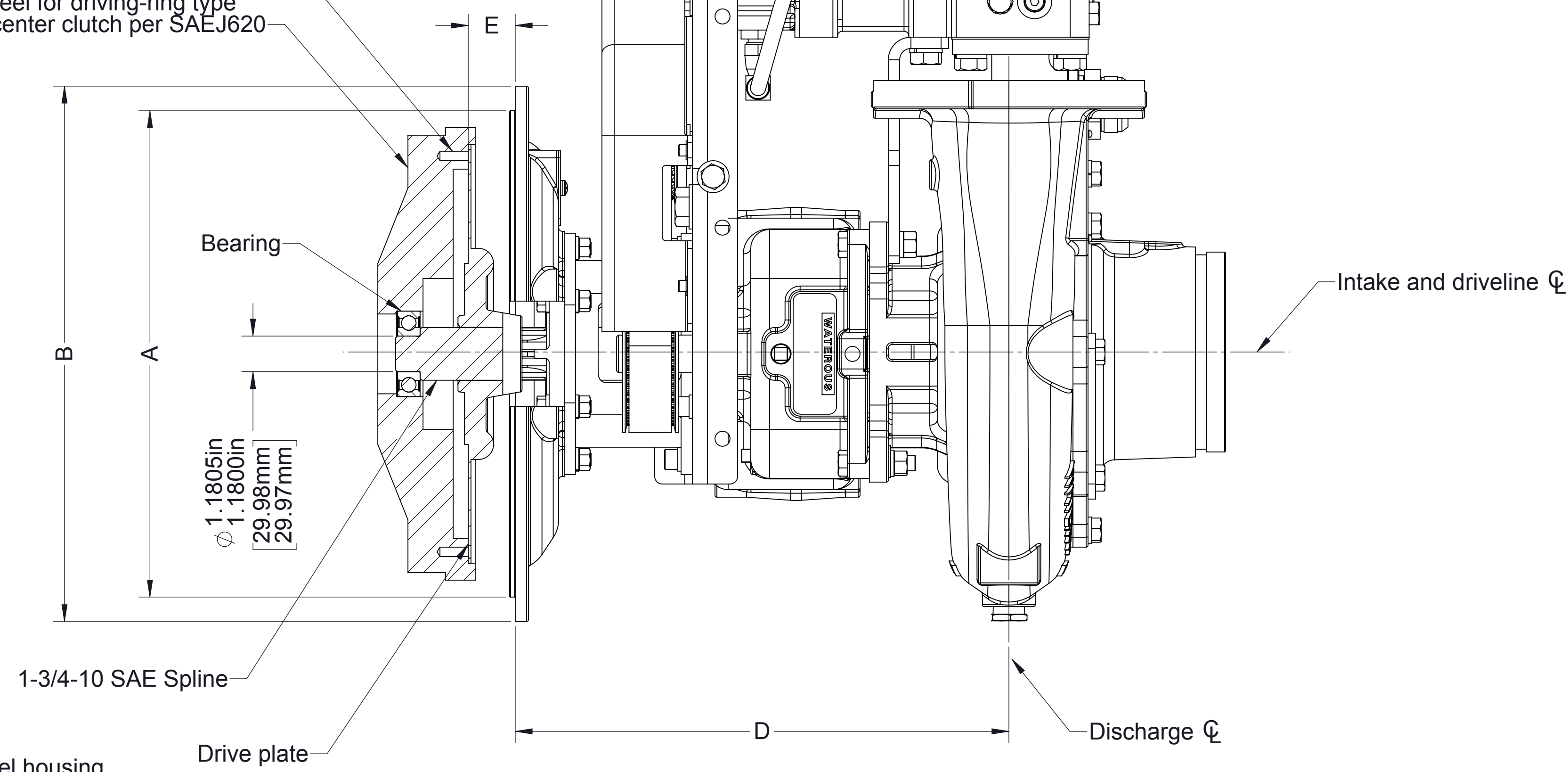
1410 Series, part number V 2591,
with 1-3/8-10 spline for K series transmission

Available End Yokes and Companion Flanges



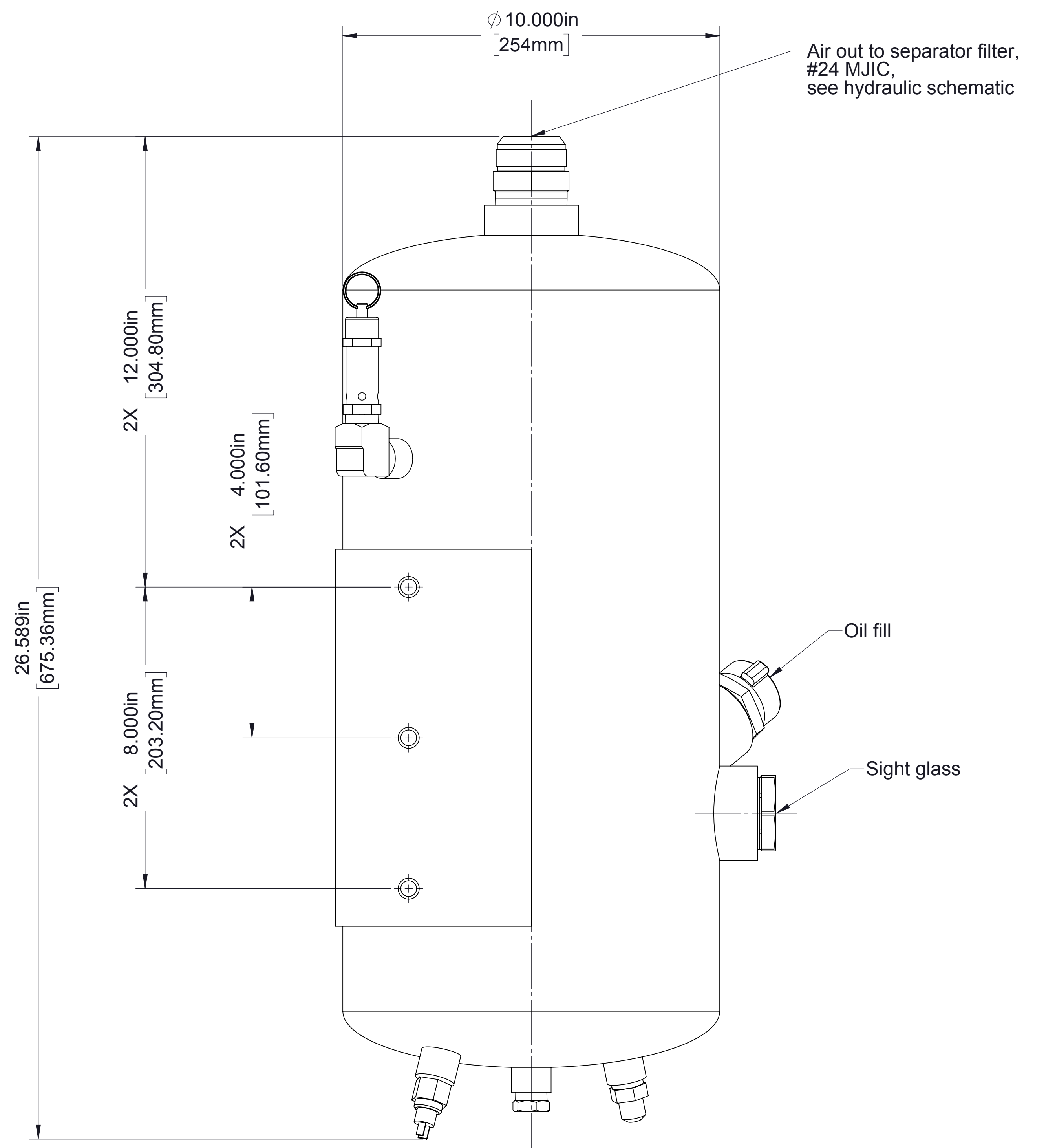
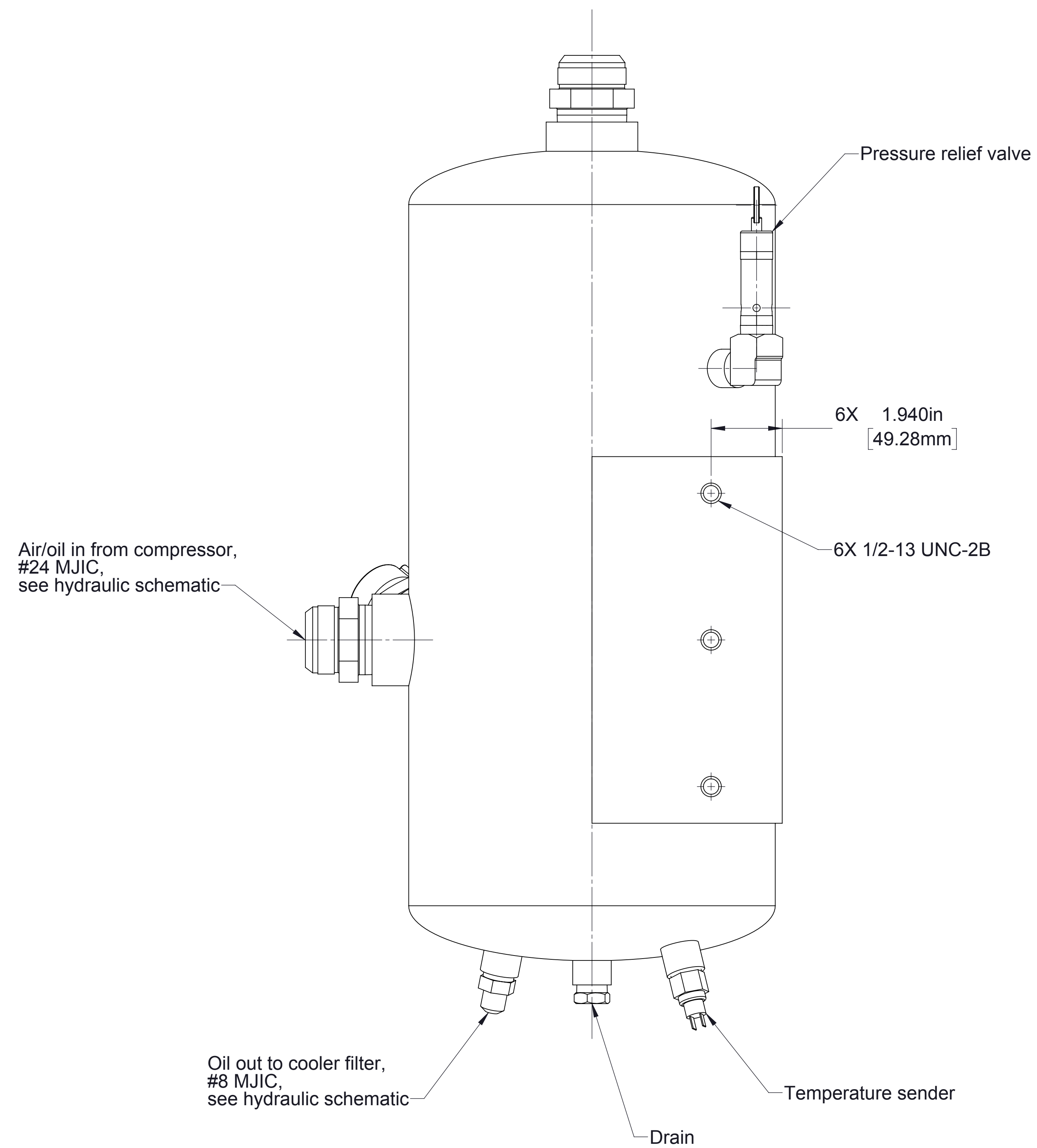
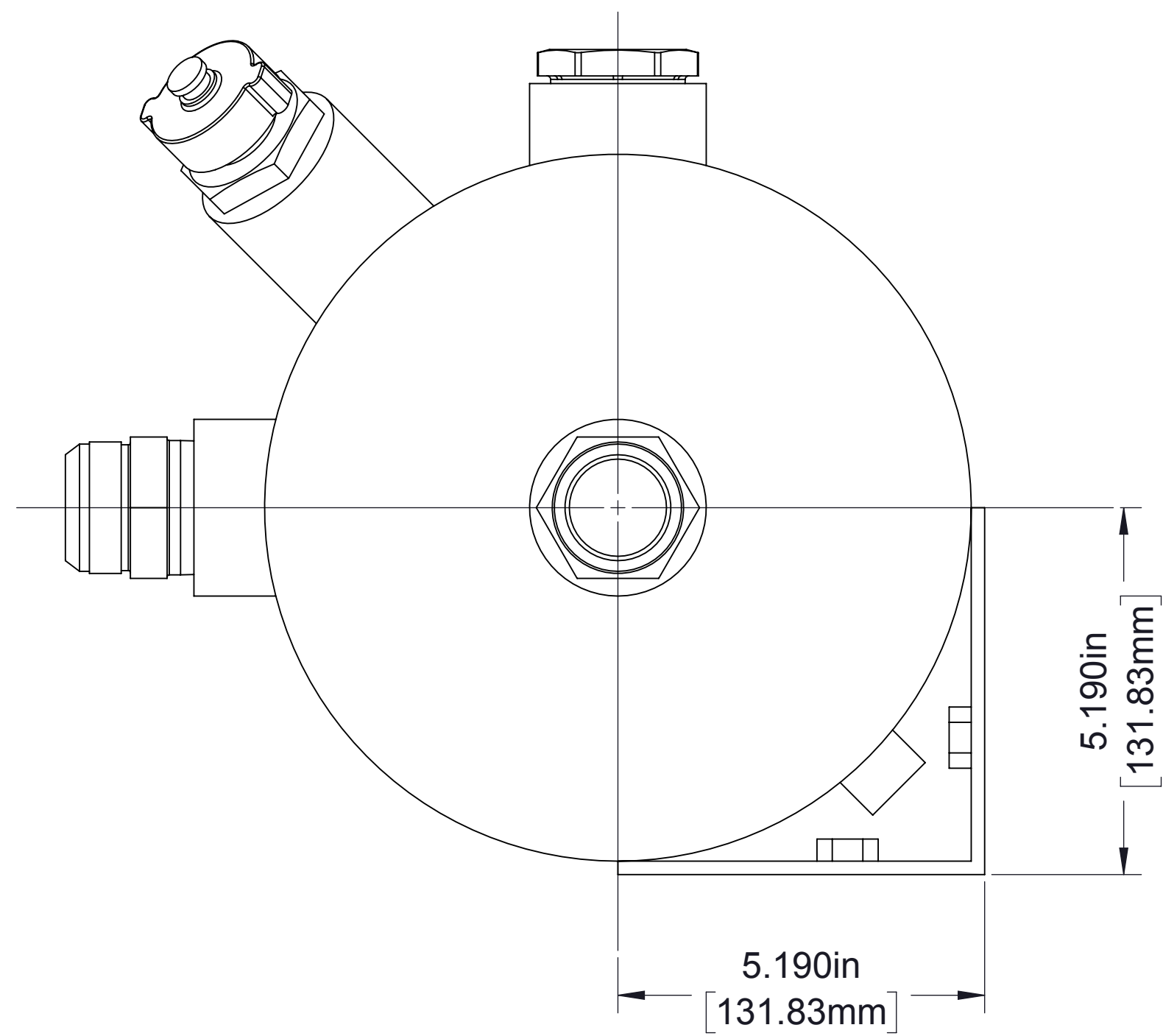
12X 3/8-16 UNC-2B tapped holes in flywheel housing.
Use class 5 screws.

8X 3/8-16 UNC-2B tapped holes in flywheel. Use grade 8 screws.
Flywheel for driving-ring type over center clutch per SAEJ620

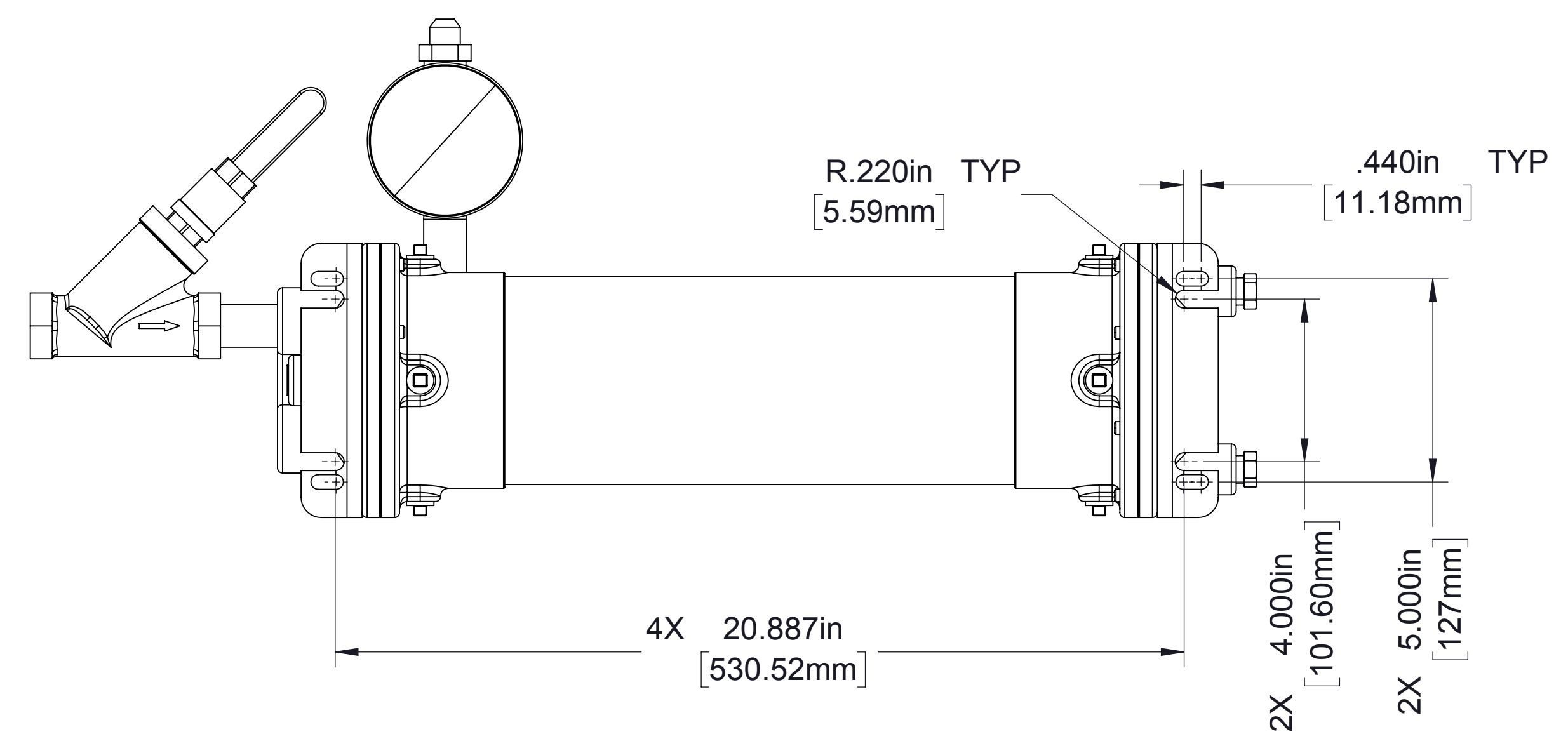
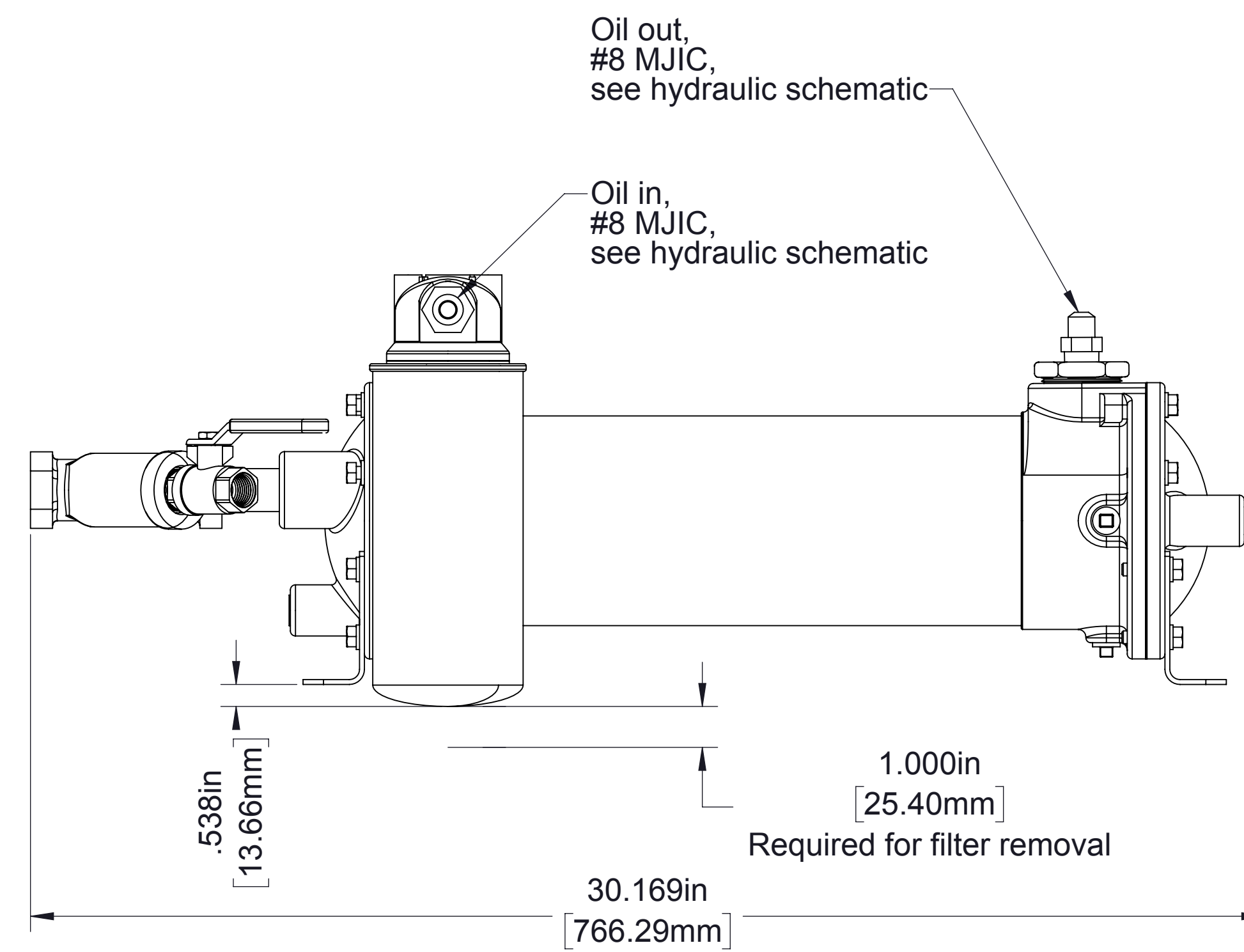
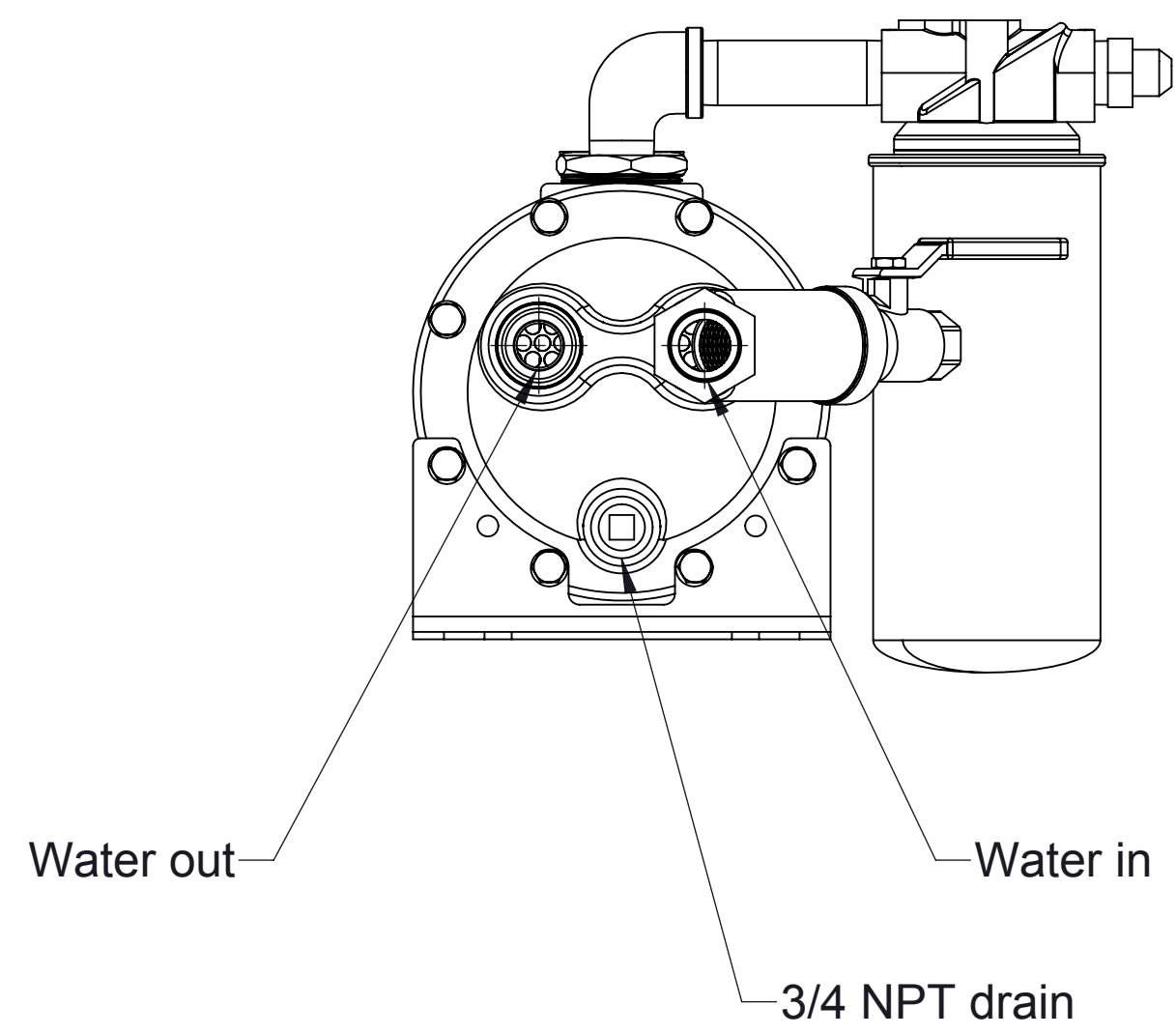
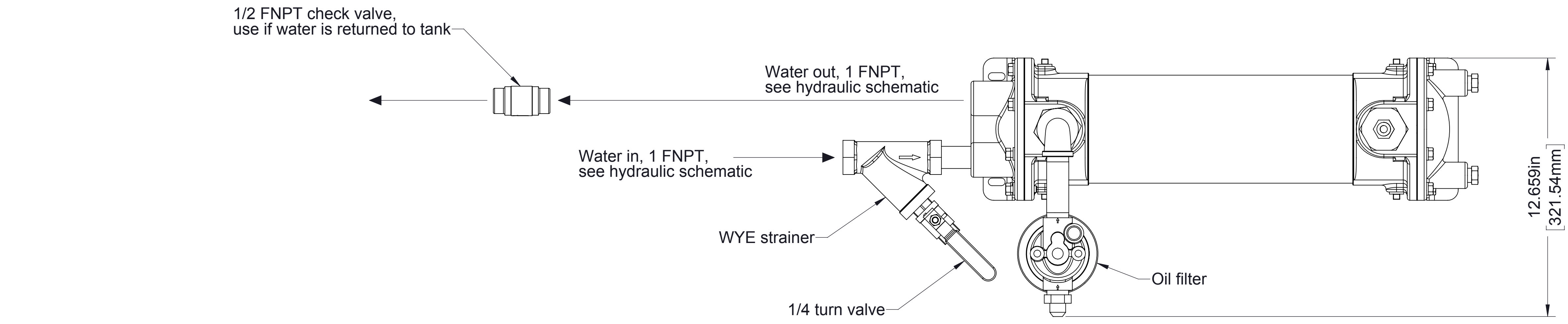


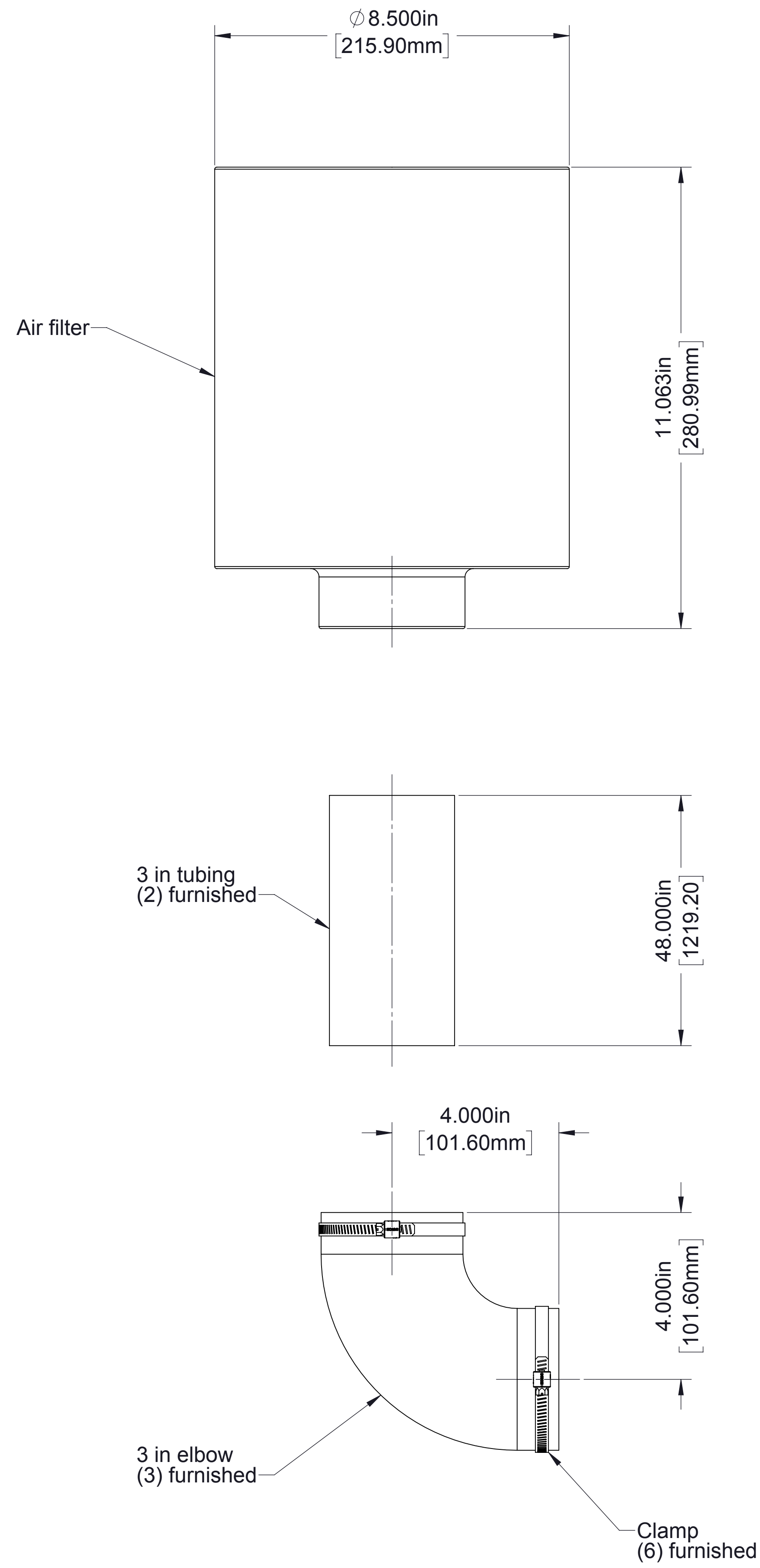
SAE Bellhousing				D	SAE Flywheel		Drive Plate	
Size	A	B	C		Clutch Number	E	Part Number	Torque Rating
3	16.125in 409.58mm	17.750in 450.85mm	16.875in 428.63mm	16.375in 415.93mm	10	2.12in 53.85mm	V2462	850 ft-lb 1153 Joules
4	14.250in 361.95mm	15.875in 403.23mm	15.000in 381.00mm					
3	16.125in 409.58mm	17.750in 450.85mm	16.875in 428.63mm	16.375in 415.93mm	11-1/2	1.56in 39.62mm	V2463	

Bellhousing Adapters
Model CX with T

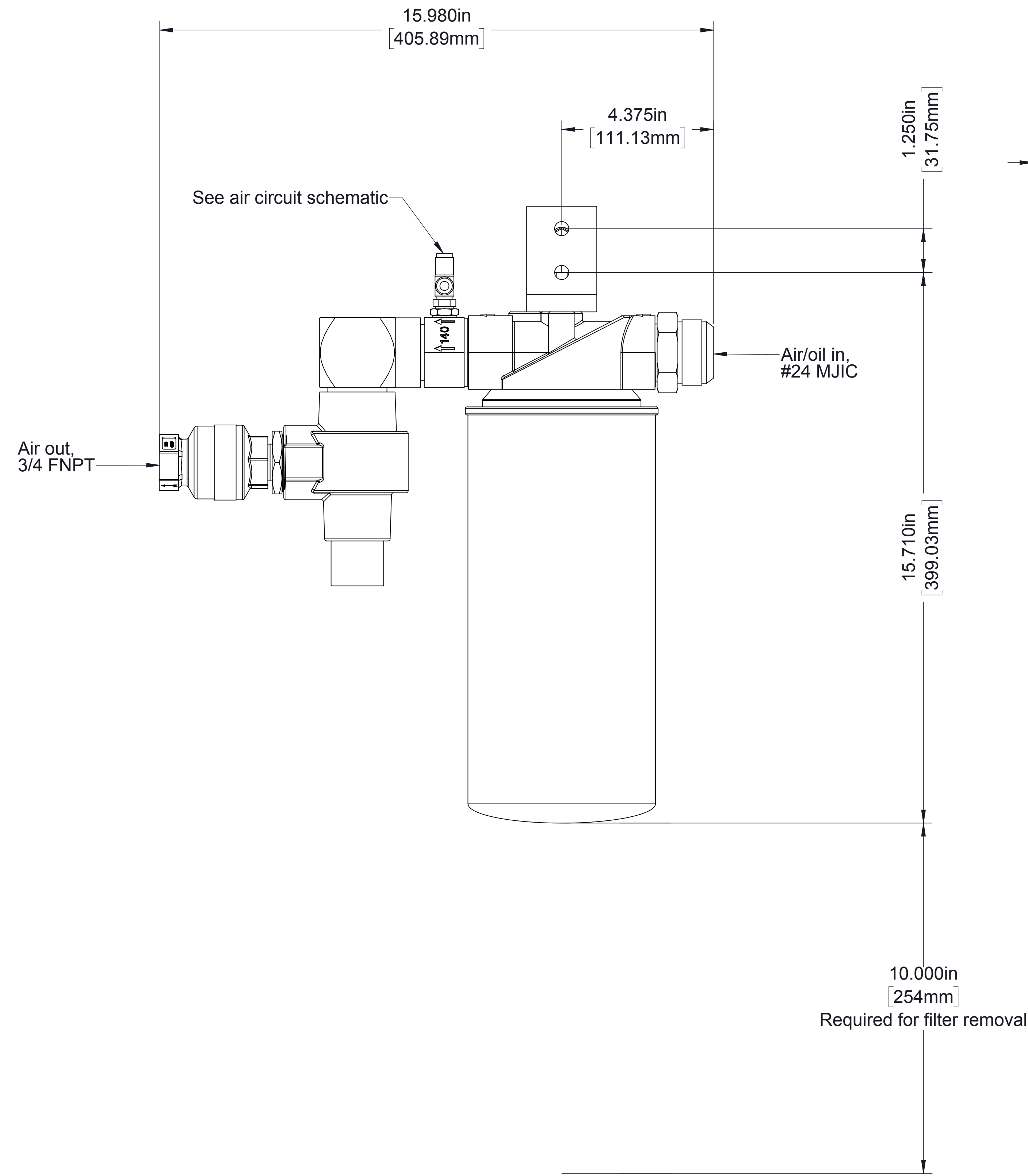


Sump (Oil Reservoir)

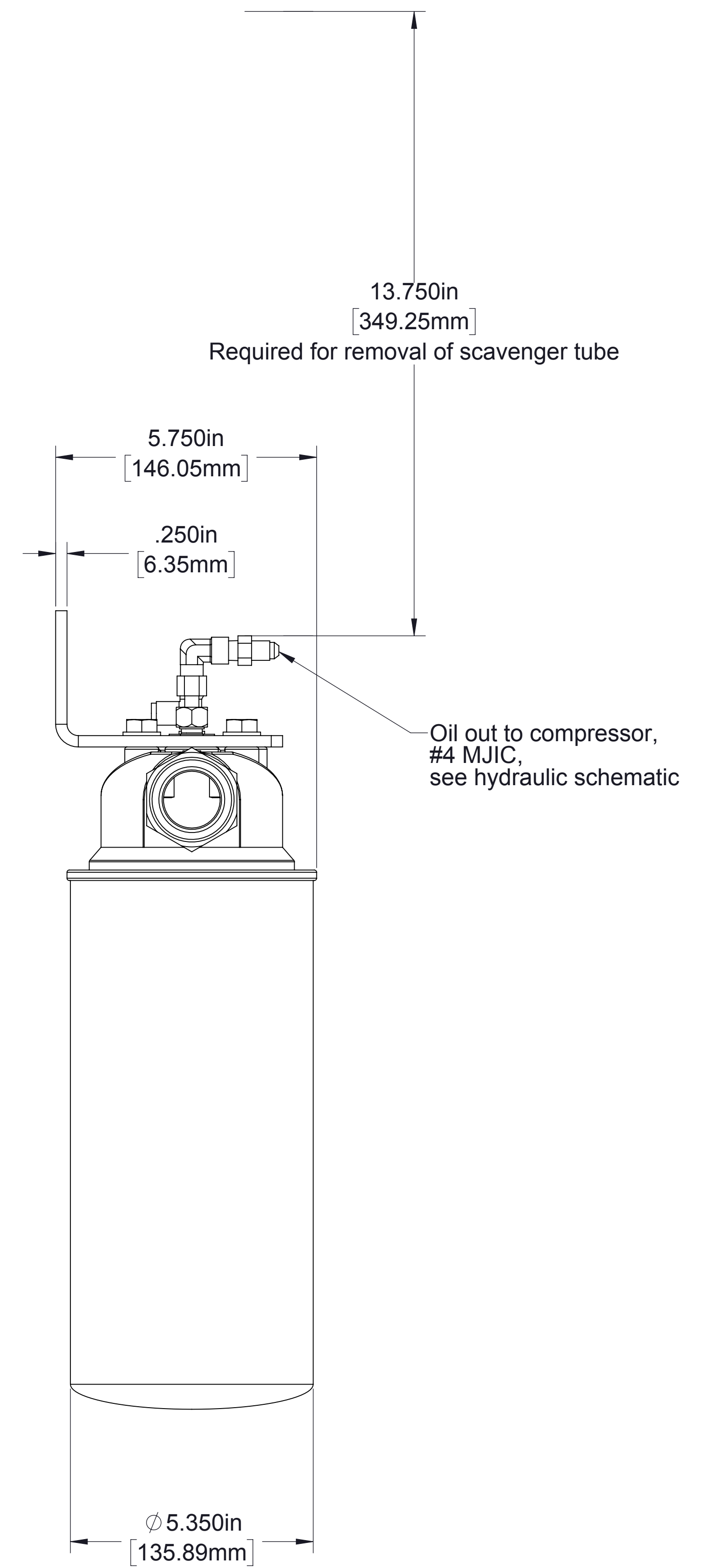


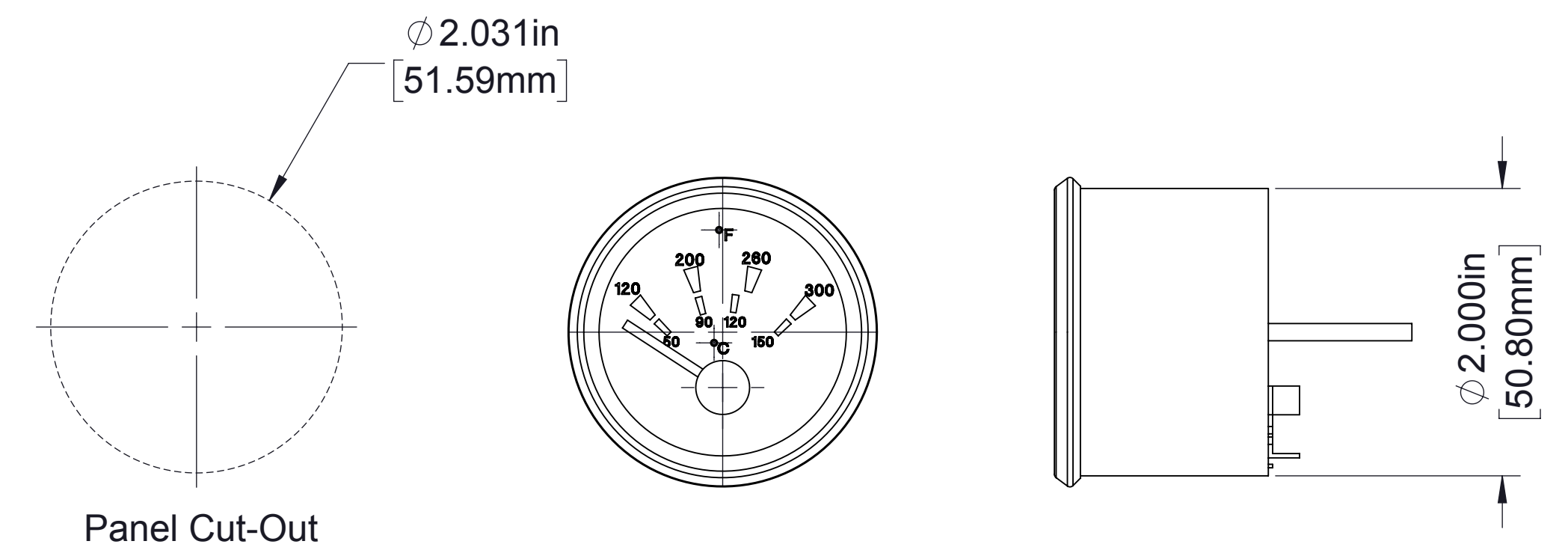
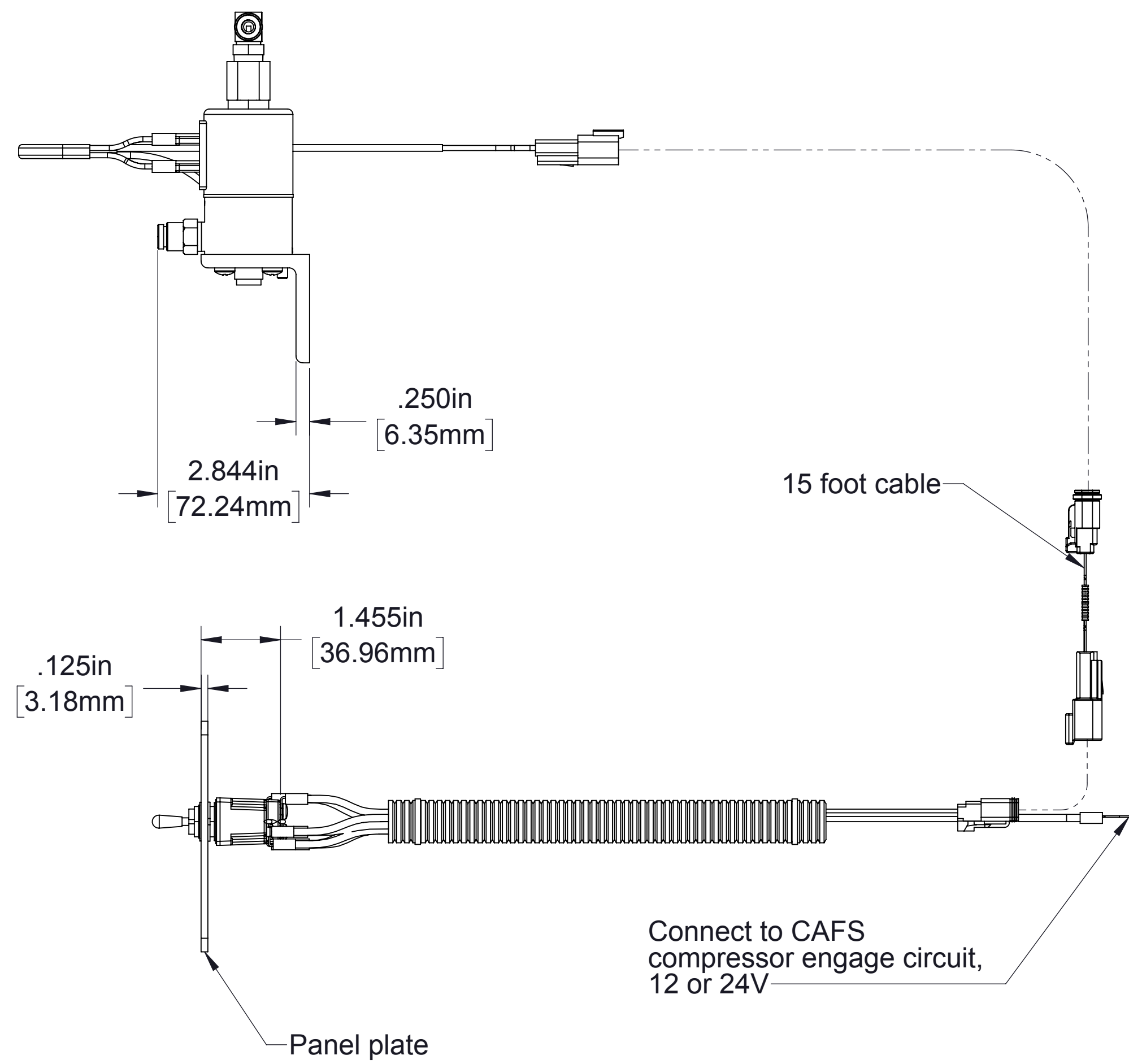
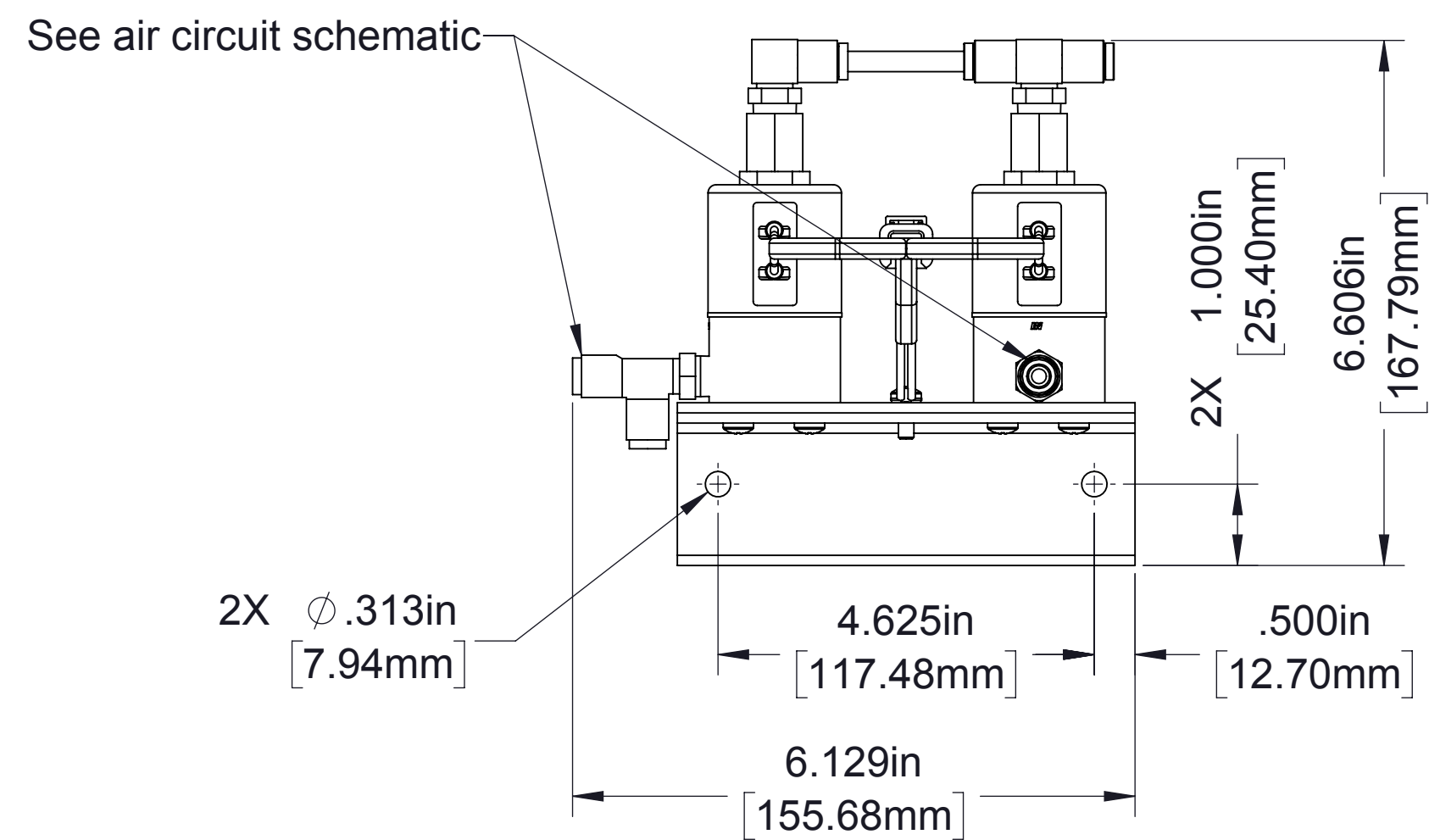


Air Filter

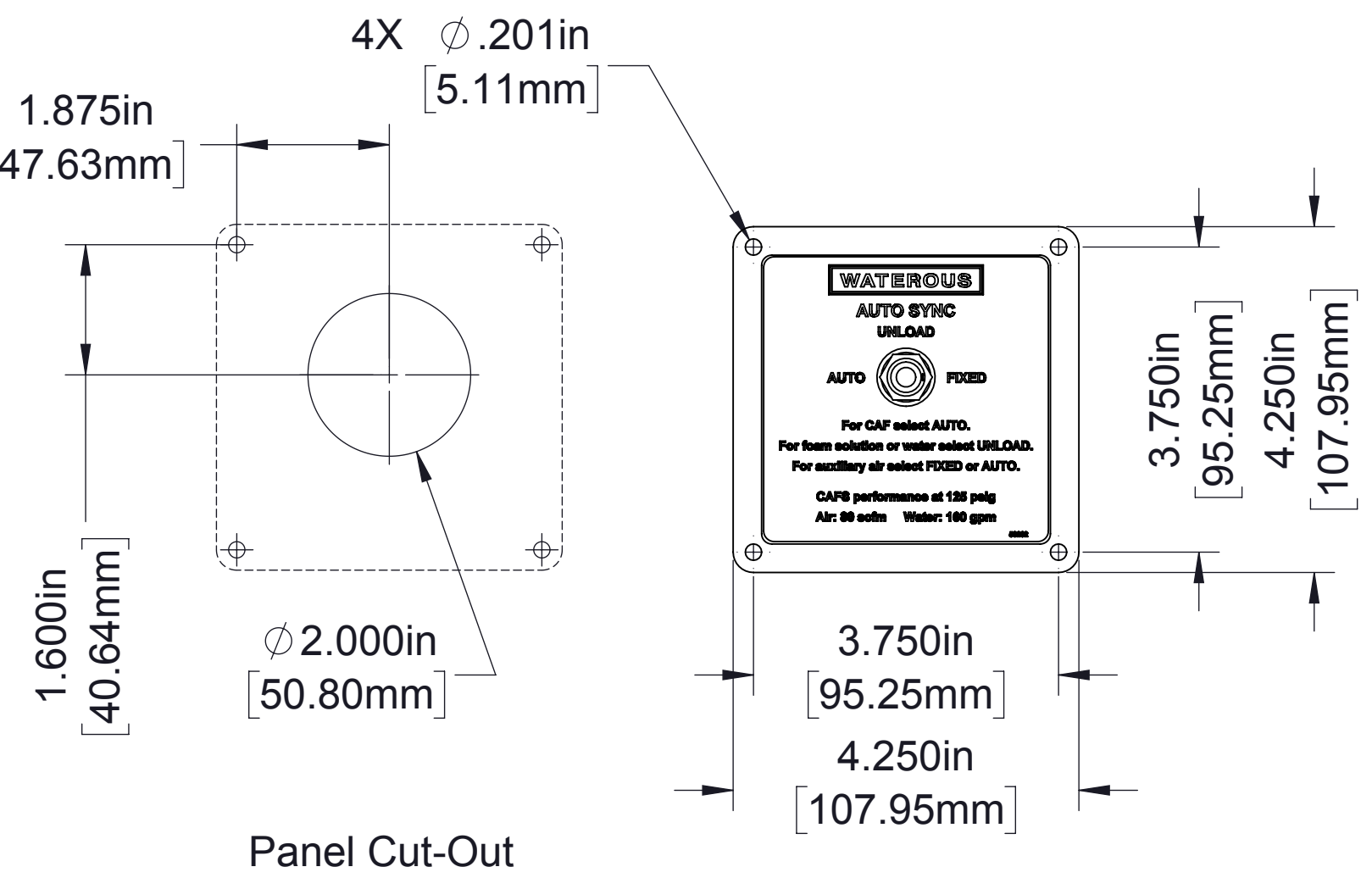


Separator Filter

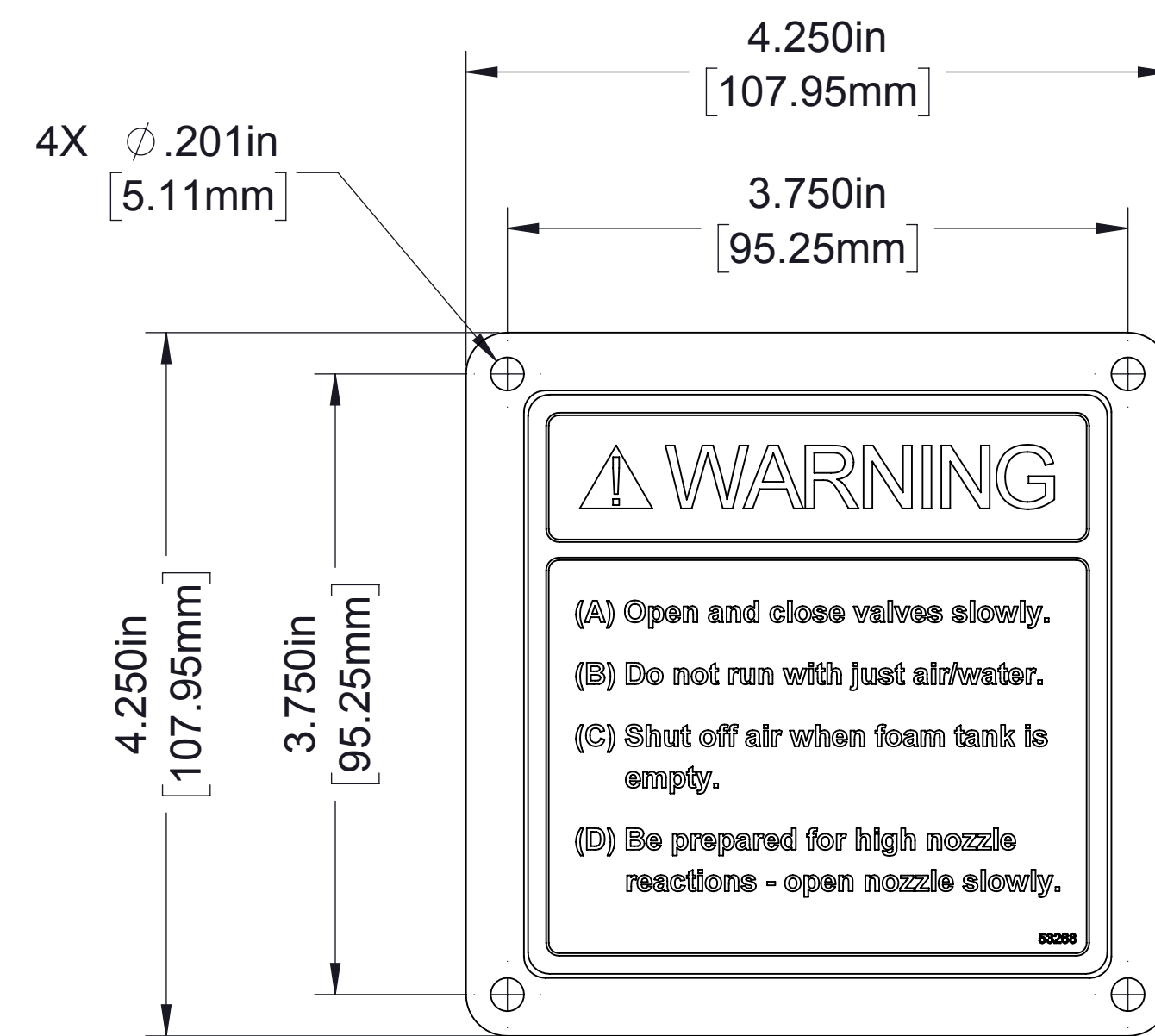




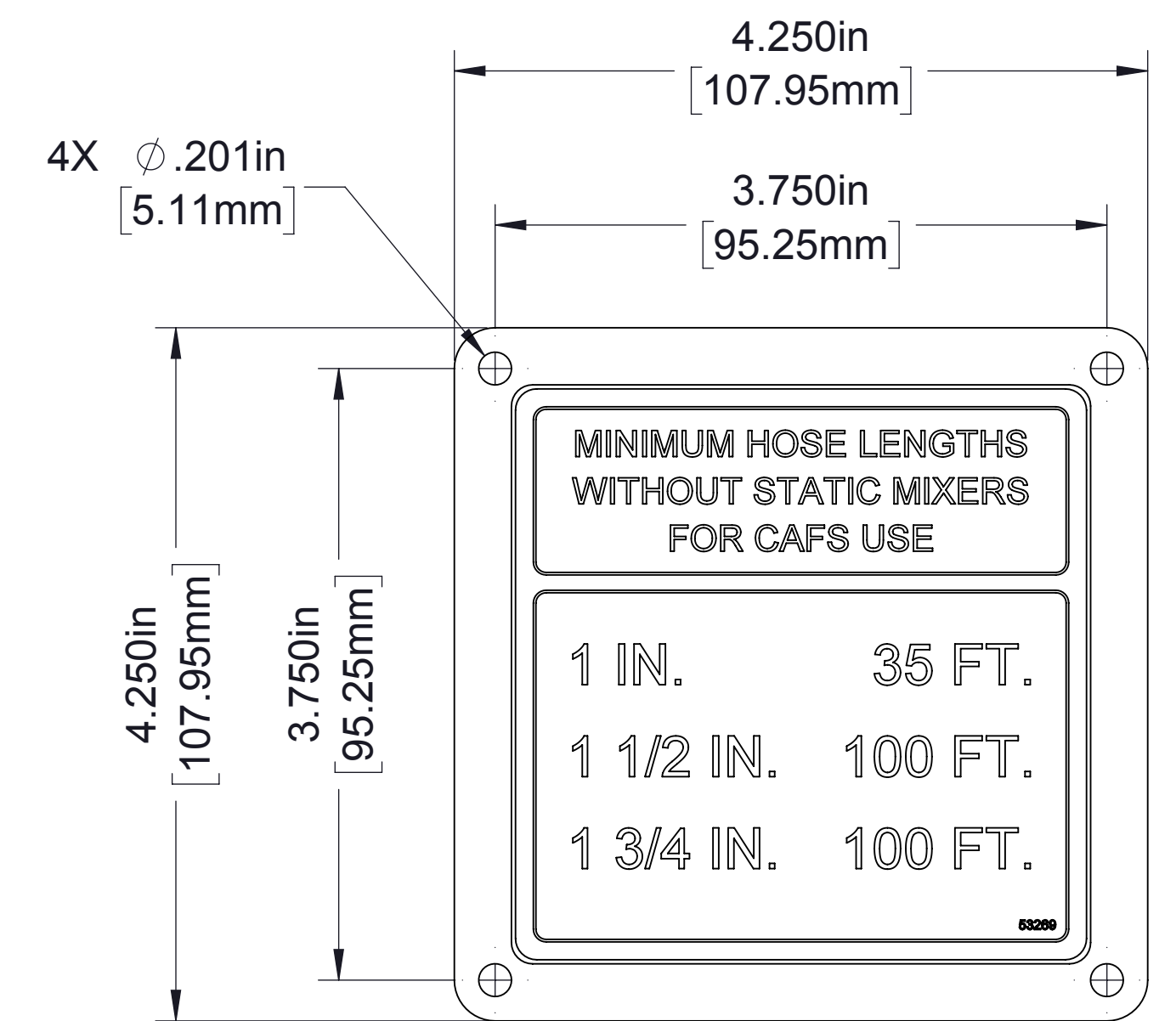
Oil Temperature Gauge
(Wiring to sump temperature sender not furnished by Waterous)



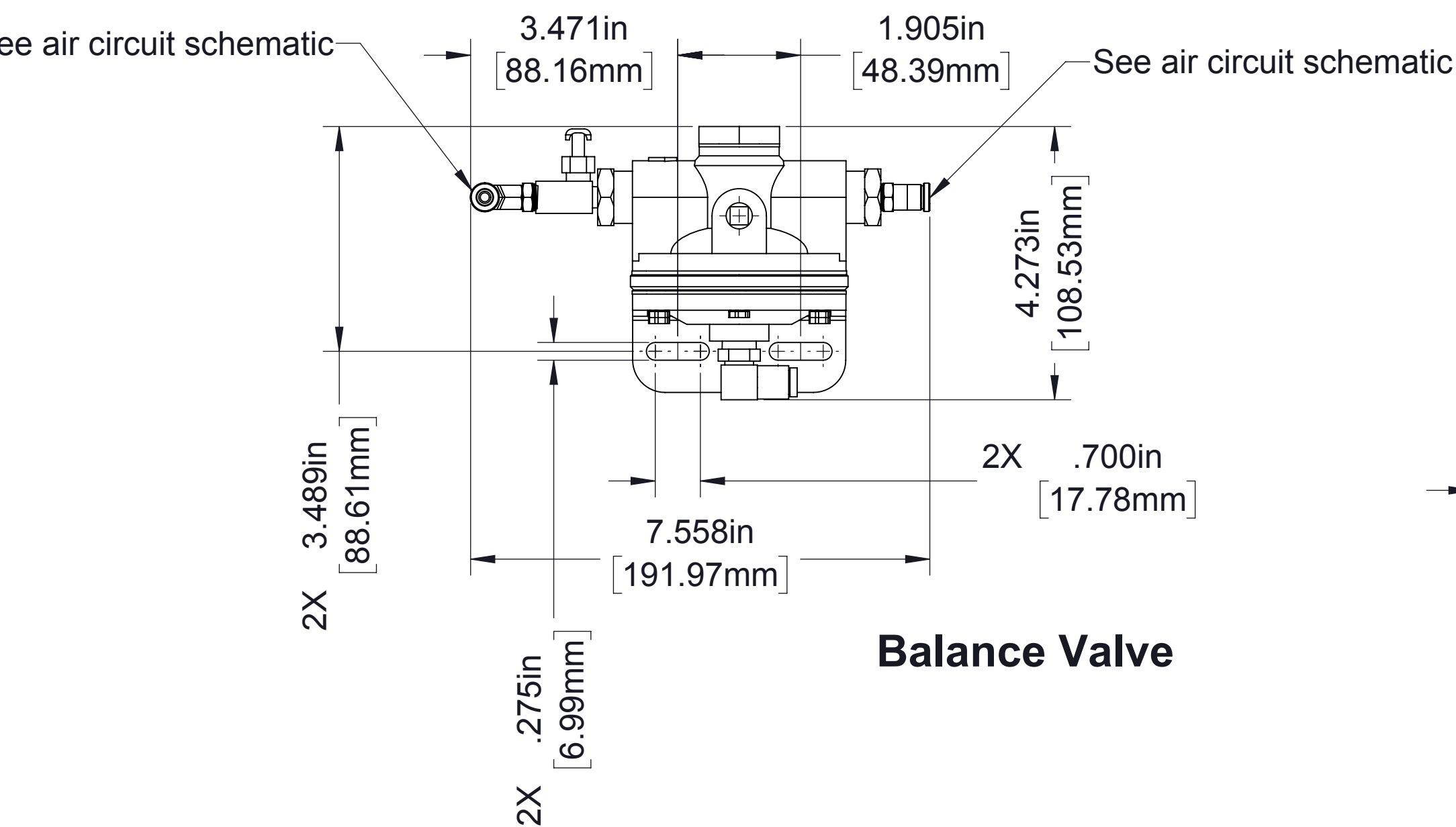
Auto-Sync



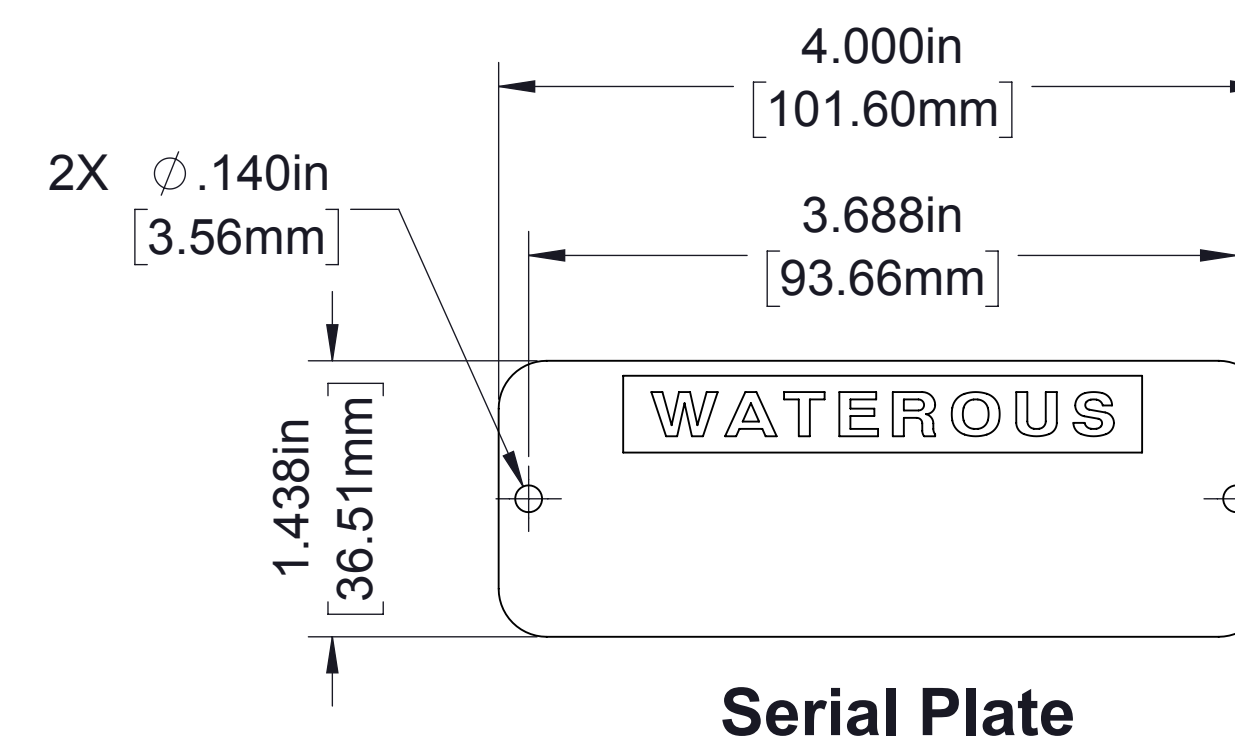
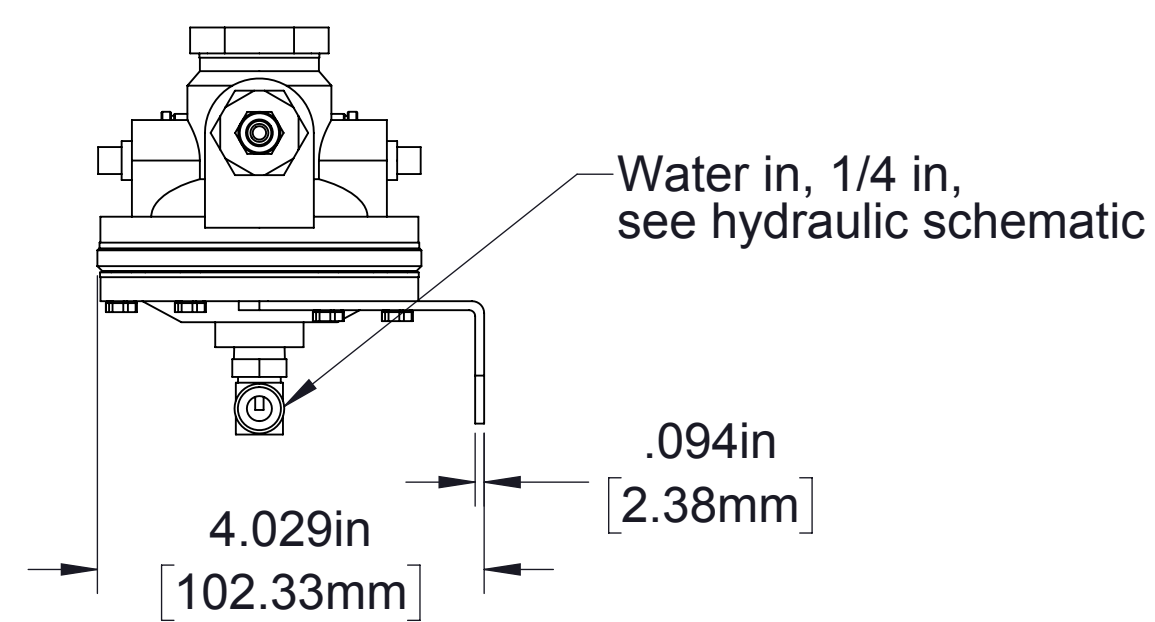
CAFS Warning



Hose Length



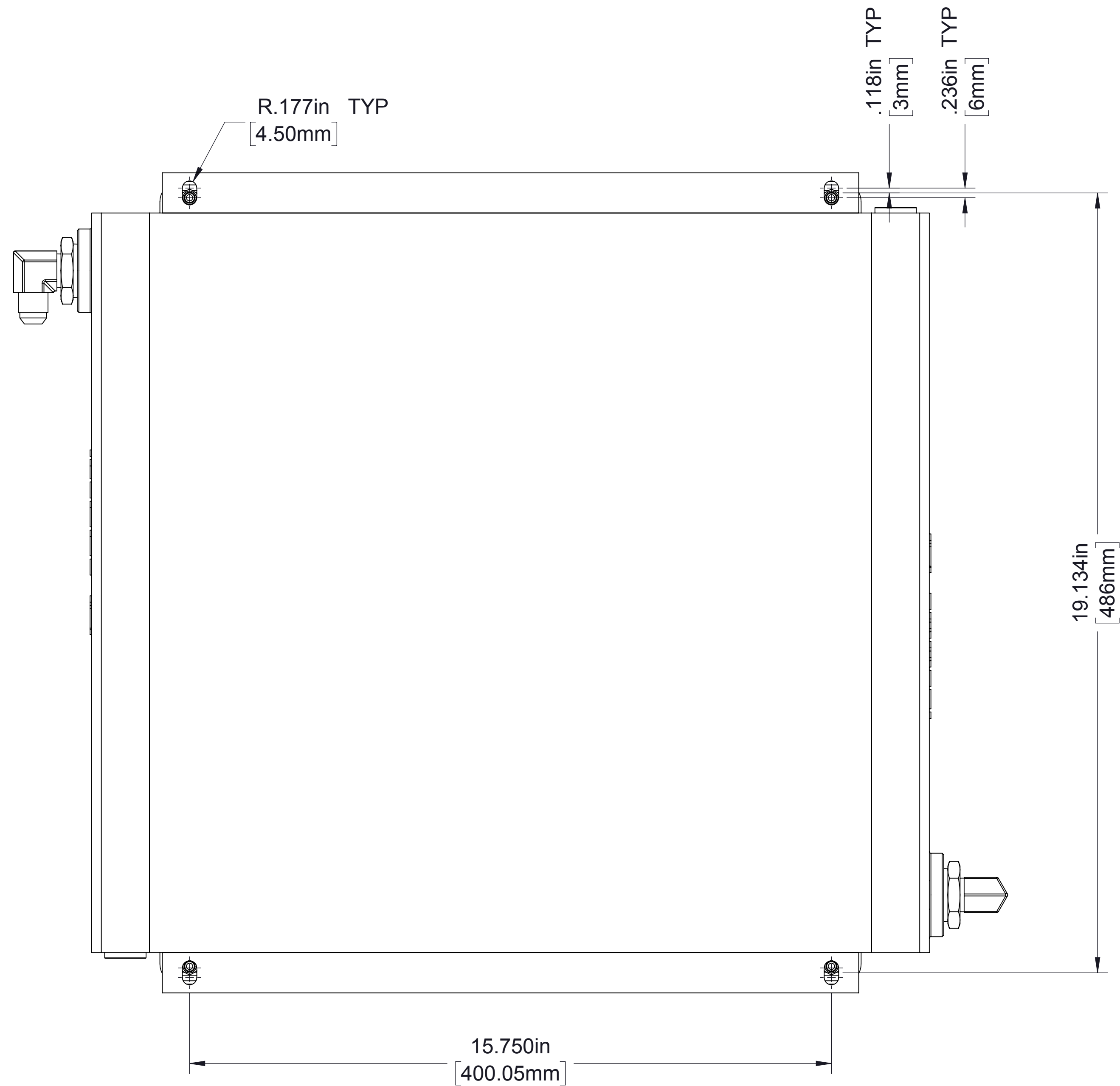
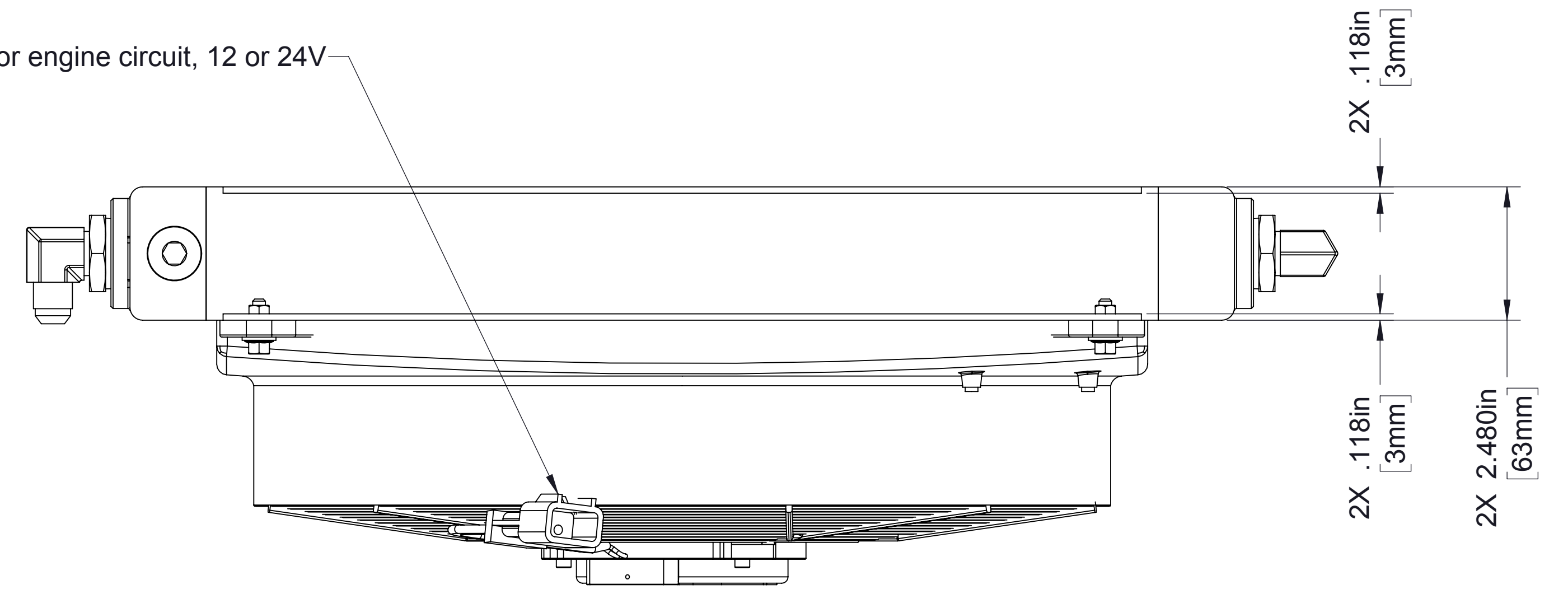
Balance Valve



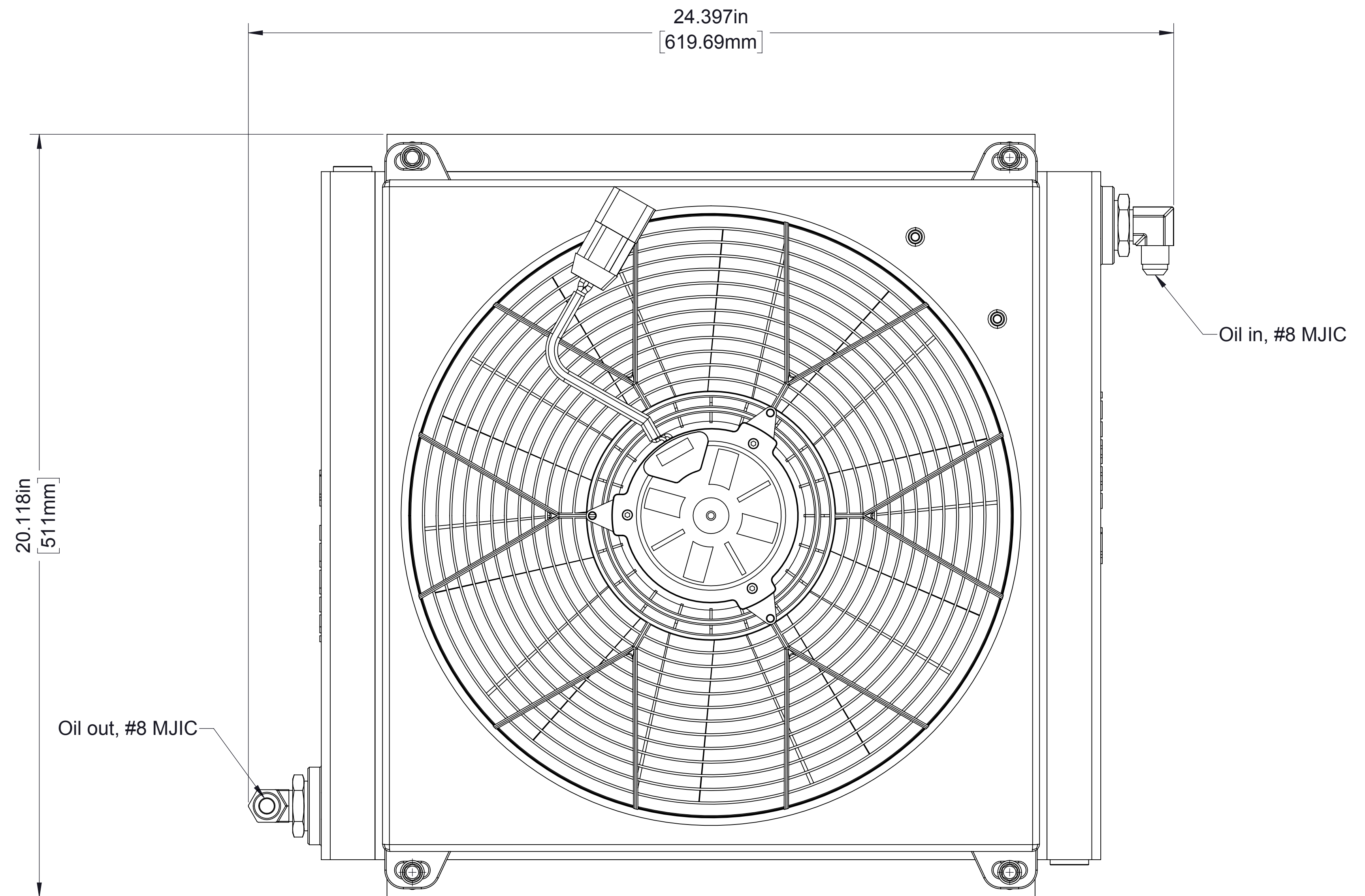
Serial Plate

Panel Plates

Connects to CAFS compressor engine circuit, 12 or 24V

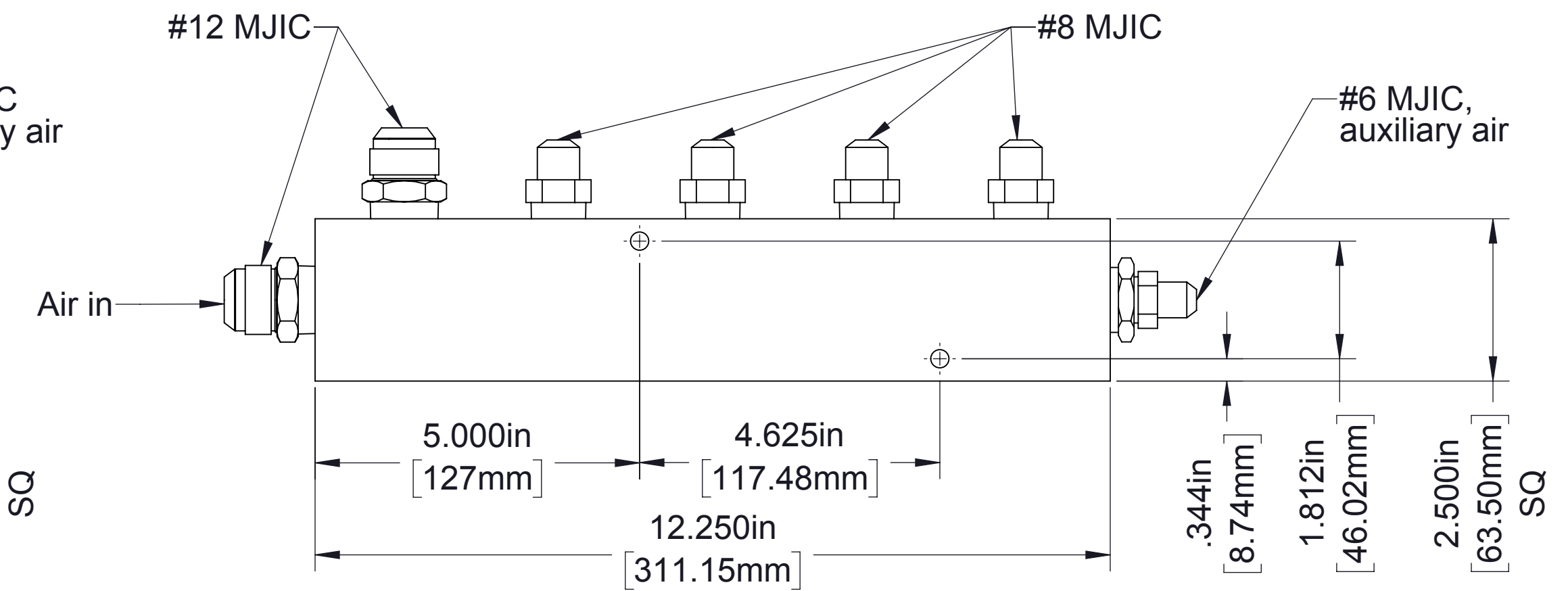
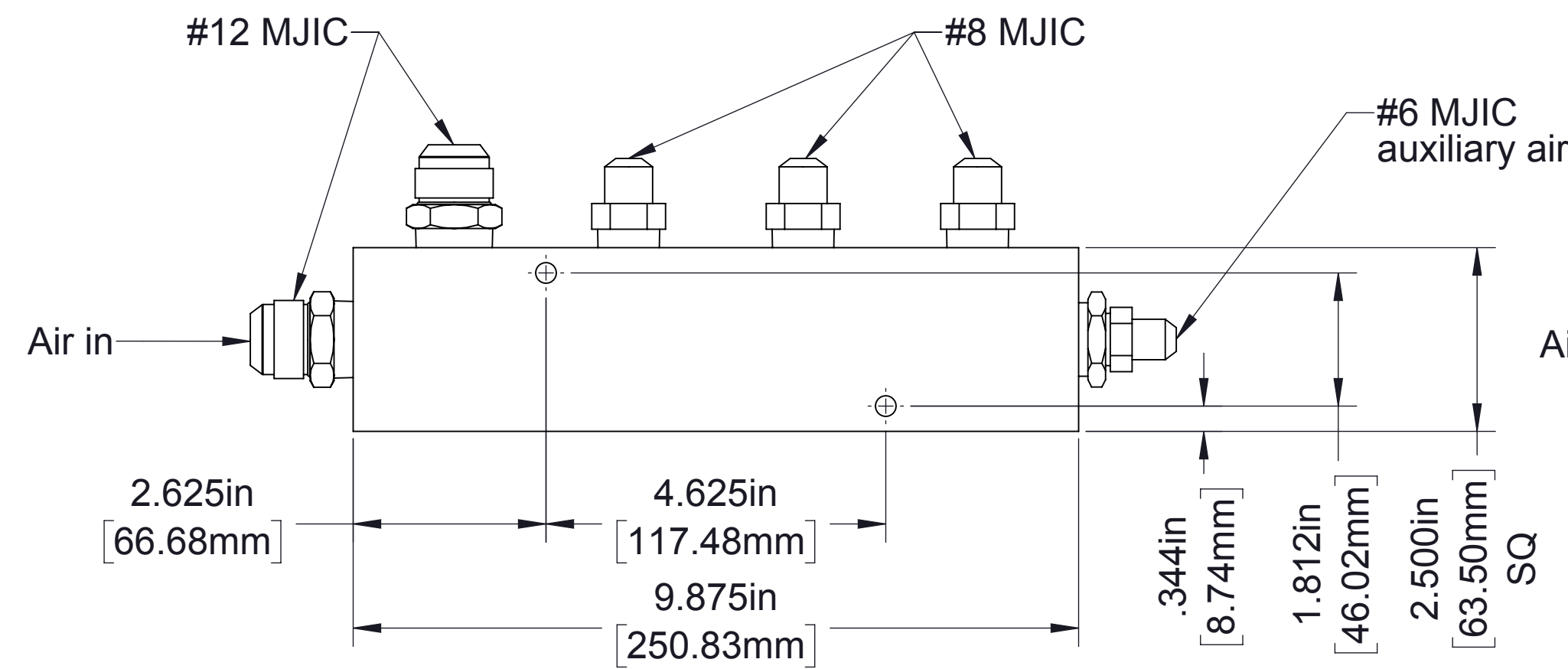
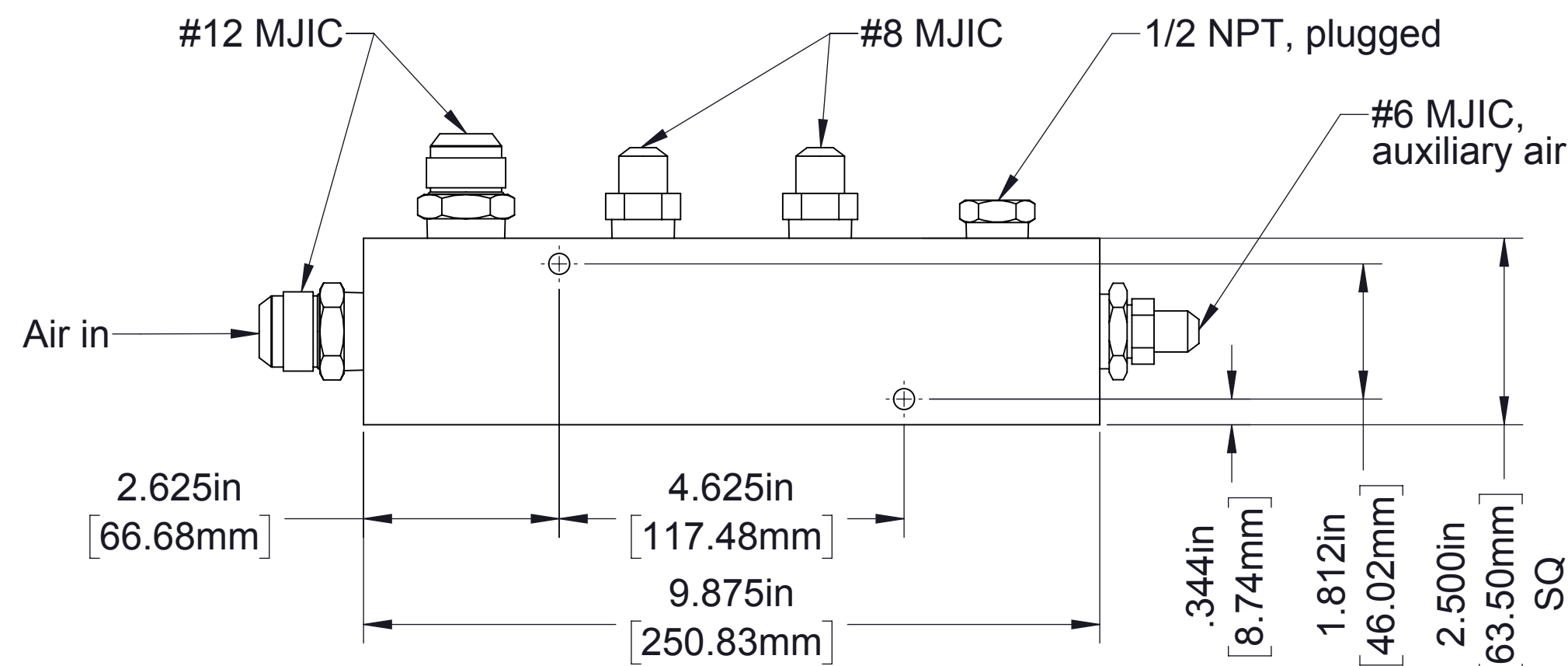
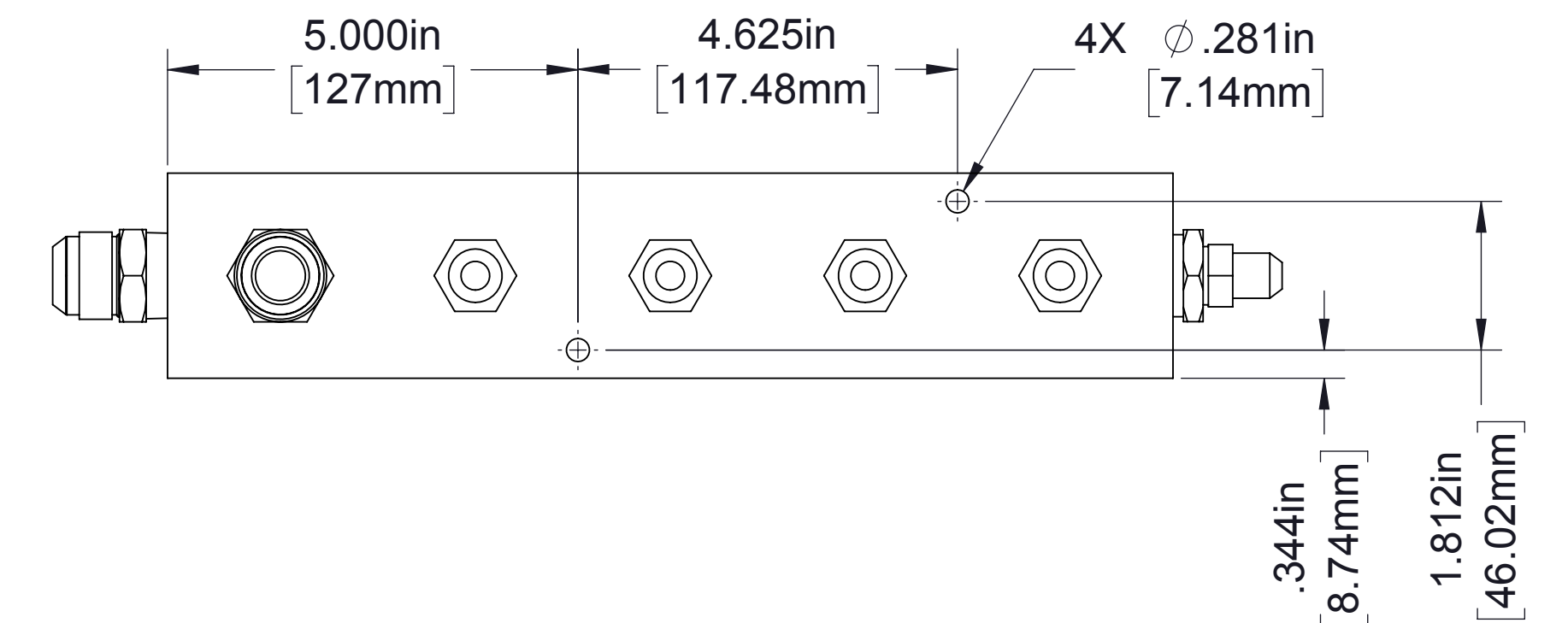
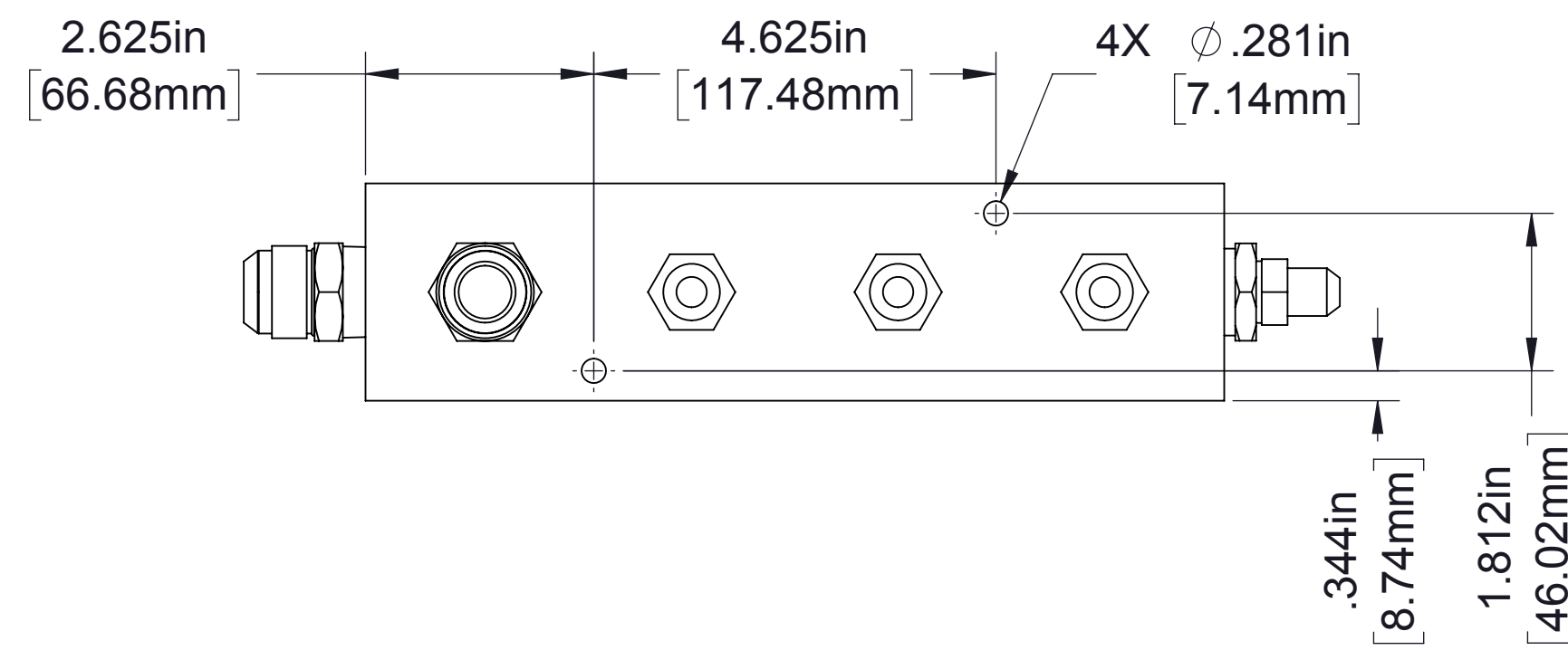
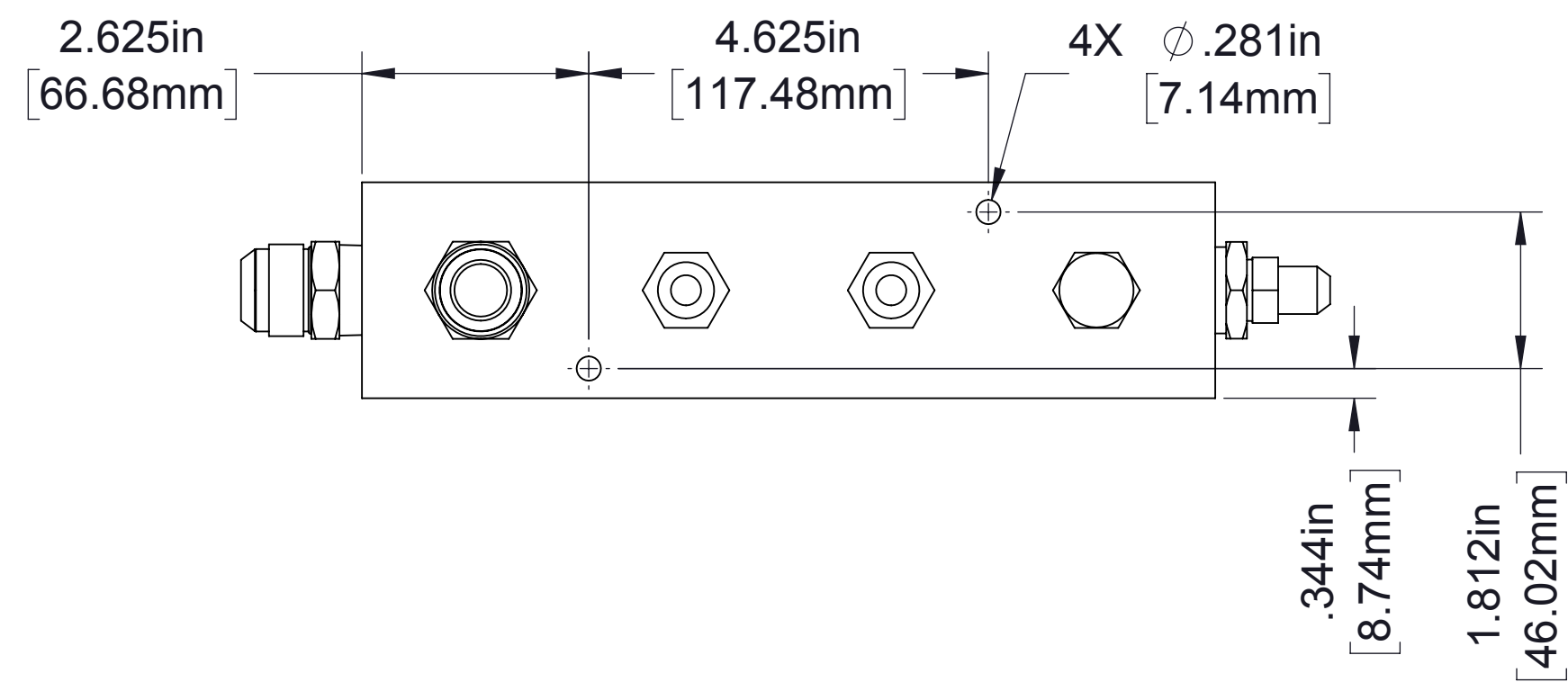


Viewed from back



**Optional Air Cooler
(Electric Fan)**

May be used as secondary cooler in conjunction with oil cooler on page 8. Not available as a stand-alone cooler.

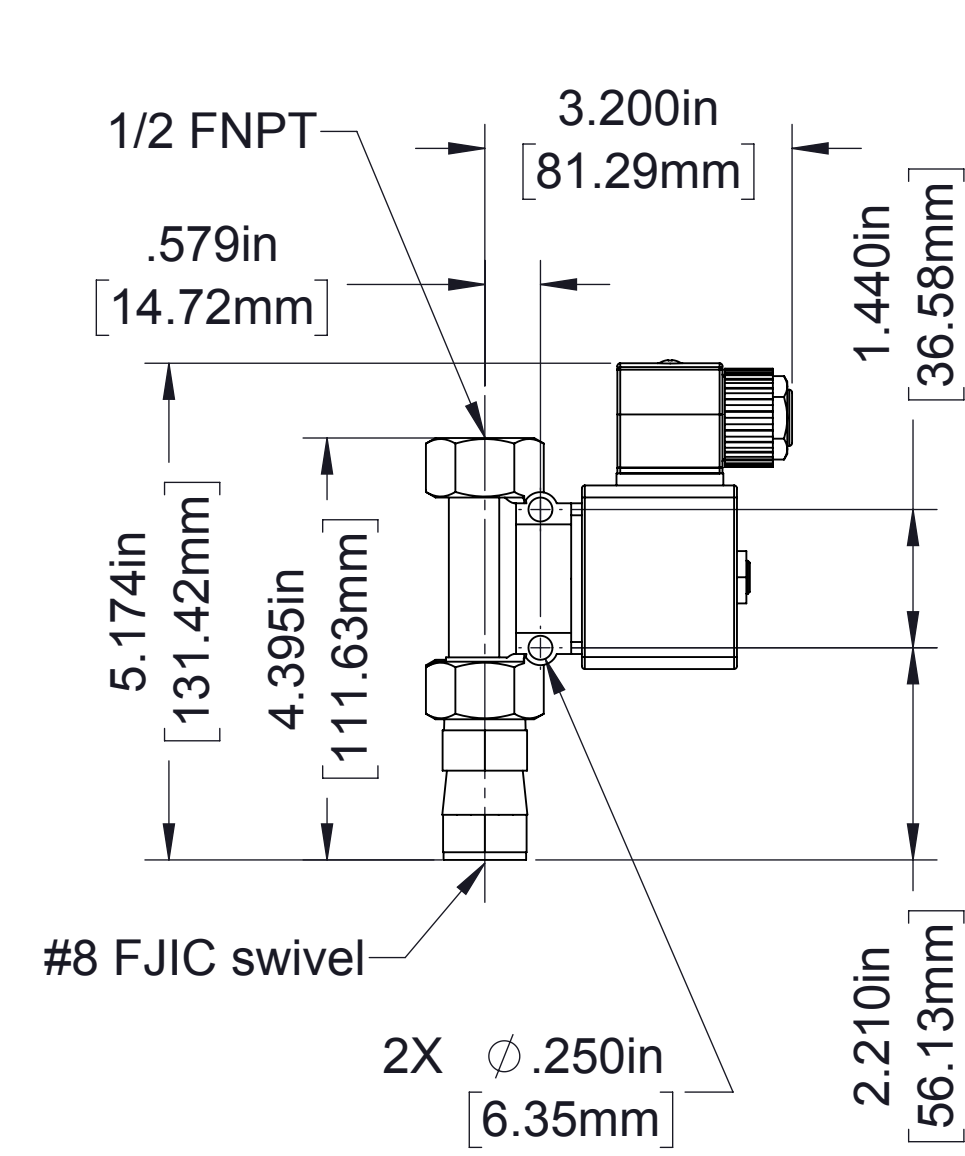


3 Port Manifold,
order part number 83360-1A

4 Port Manifold,
order part number 83360-1B

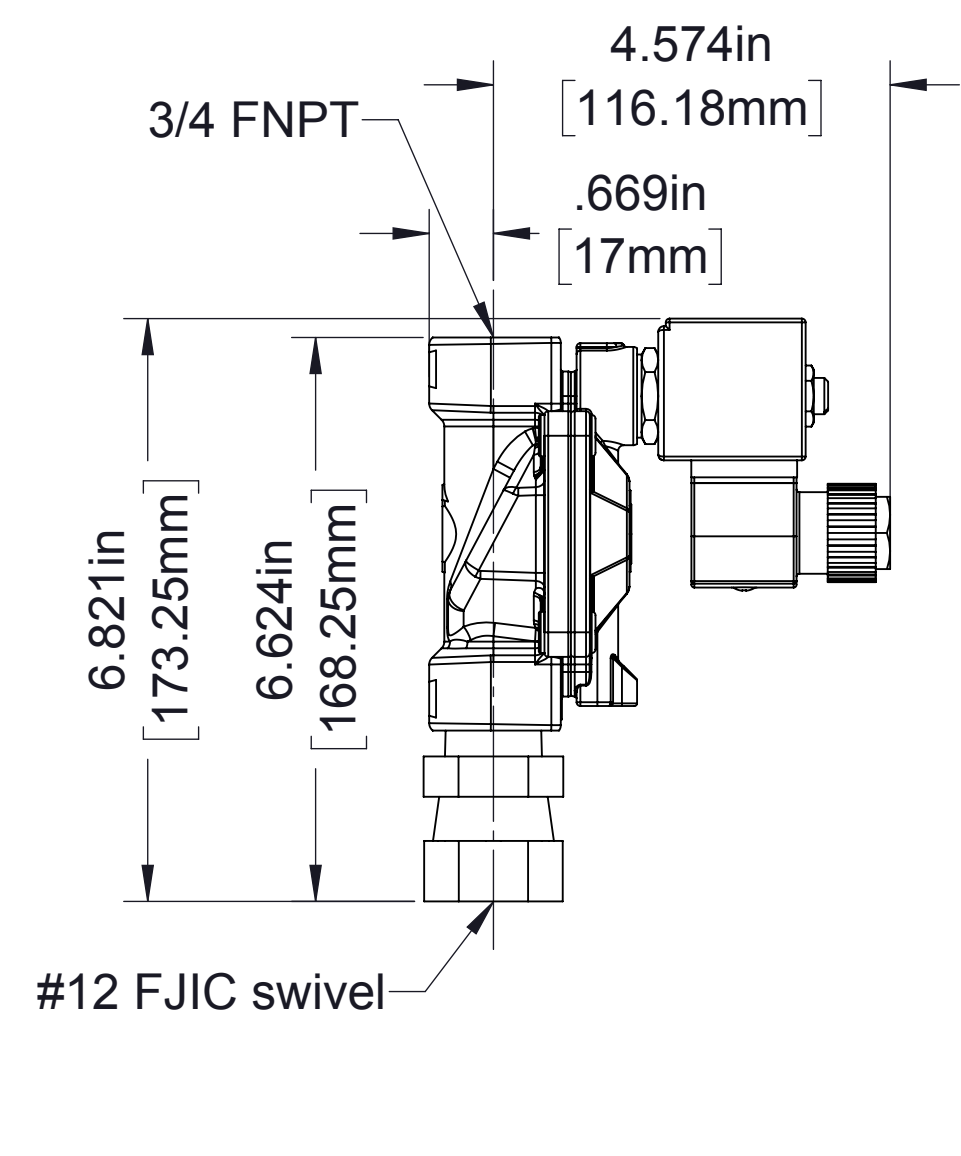
5 Port Manifold,
order part number 83360-1C

Optional Air Distribution Manifold

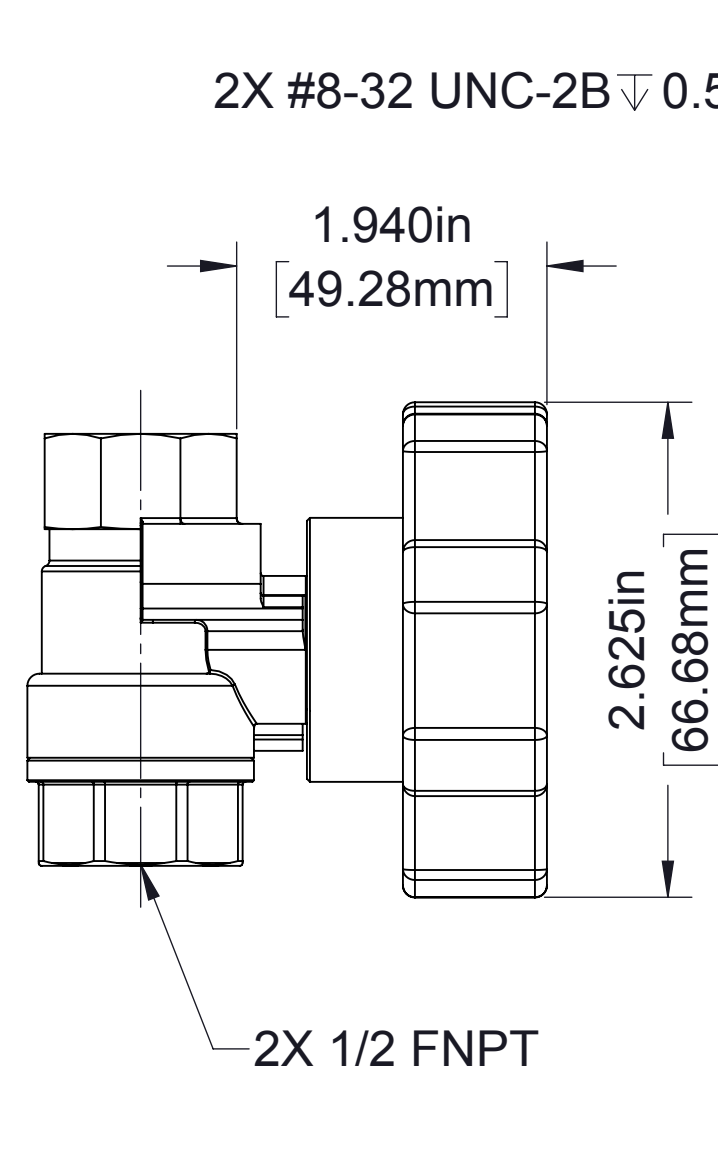


1/2 in

Electric

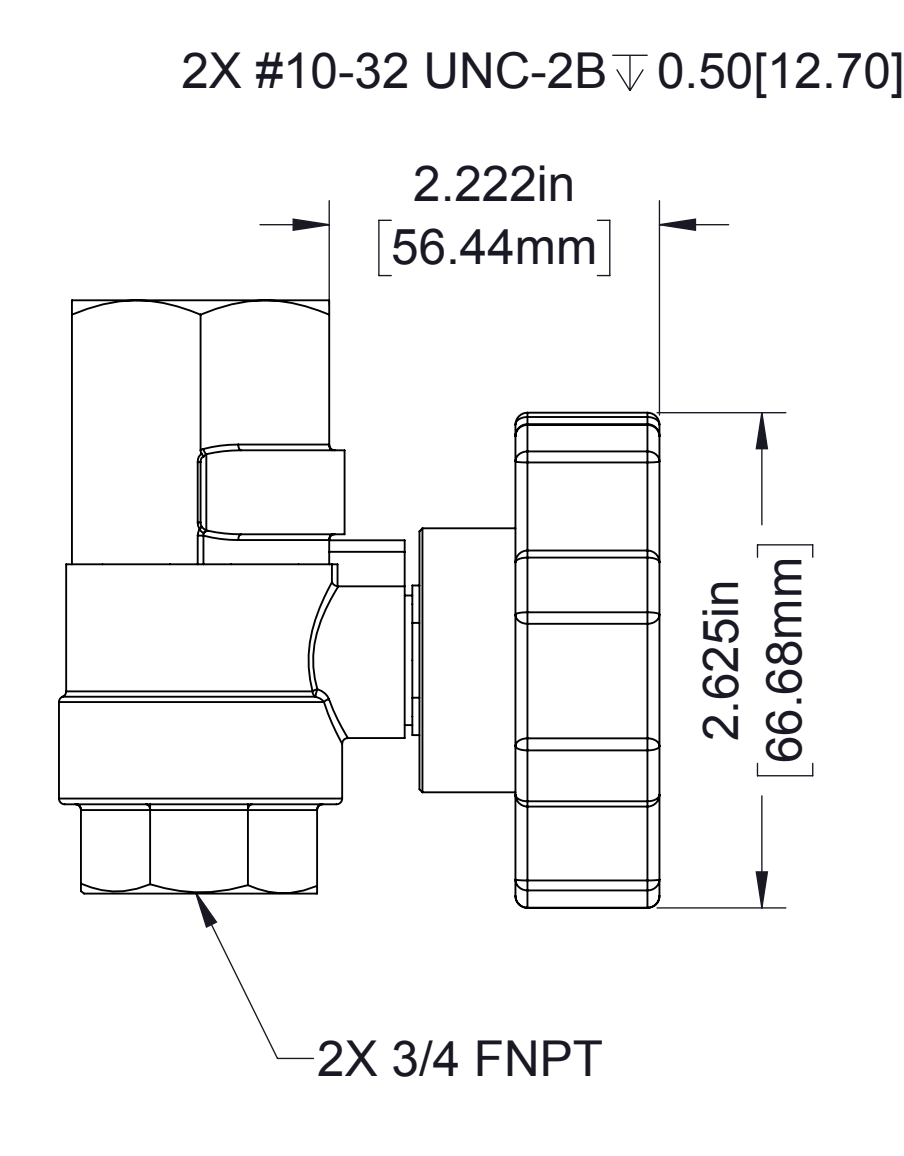
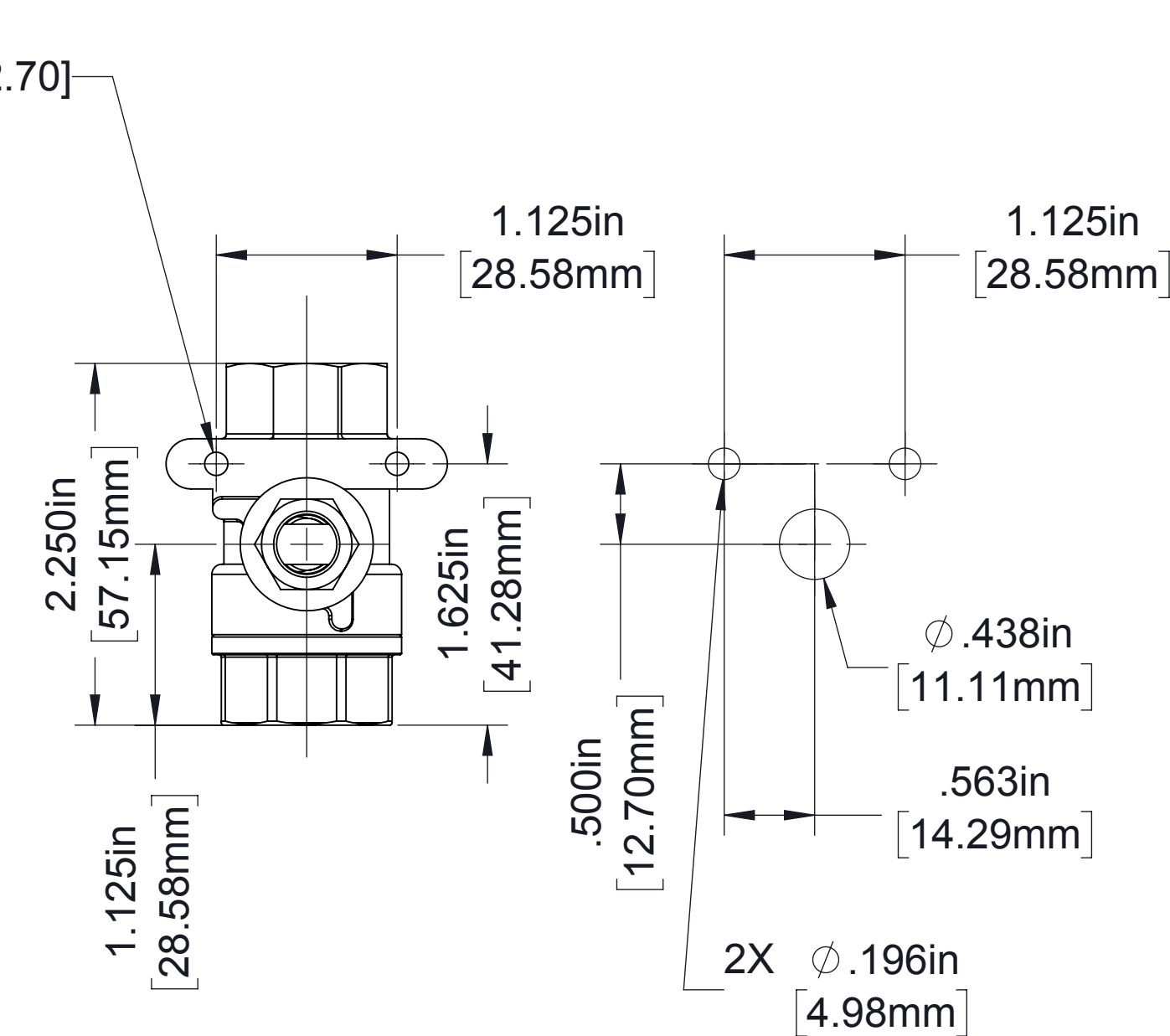


3/4 in

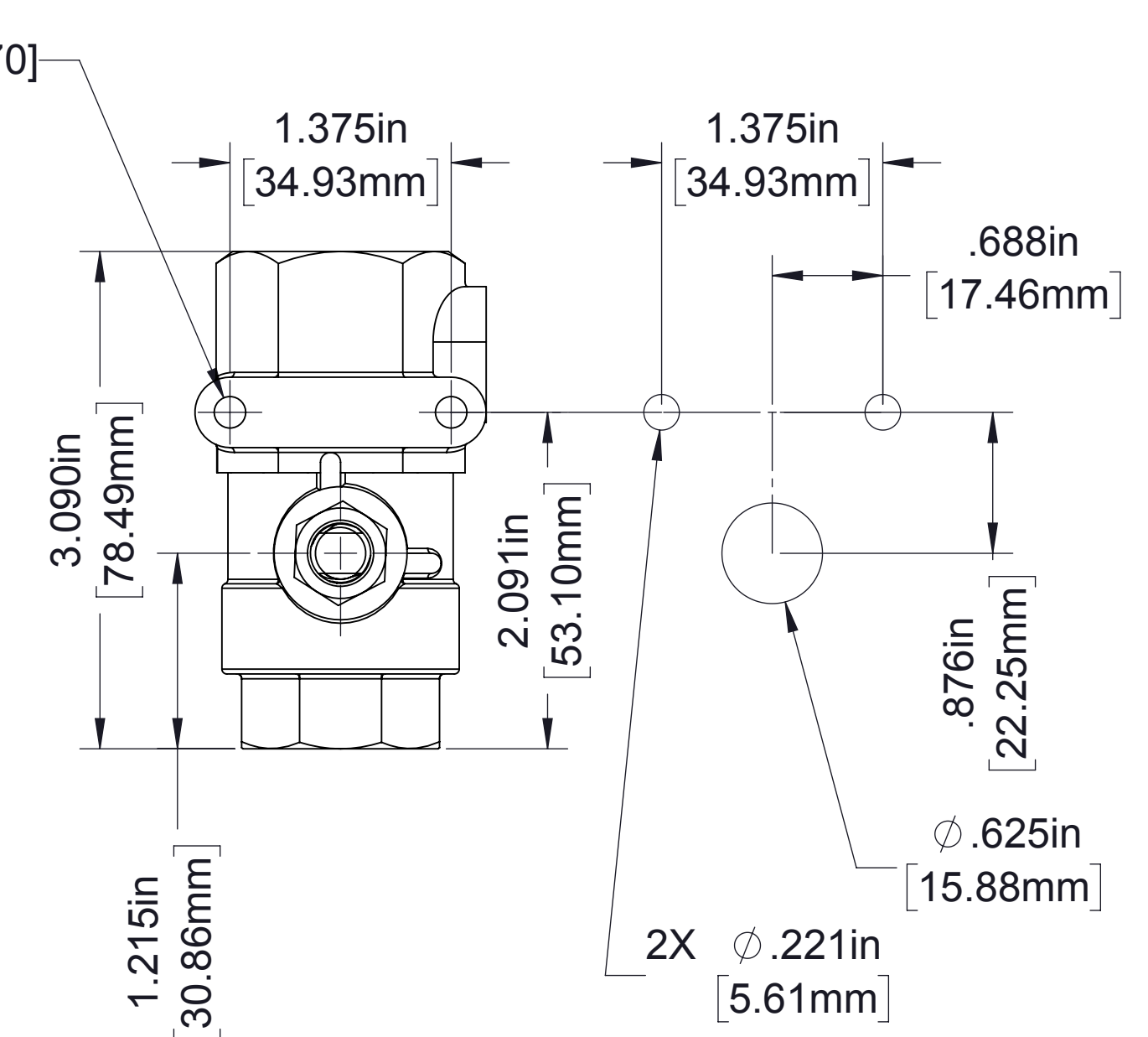


1/2 in

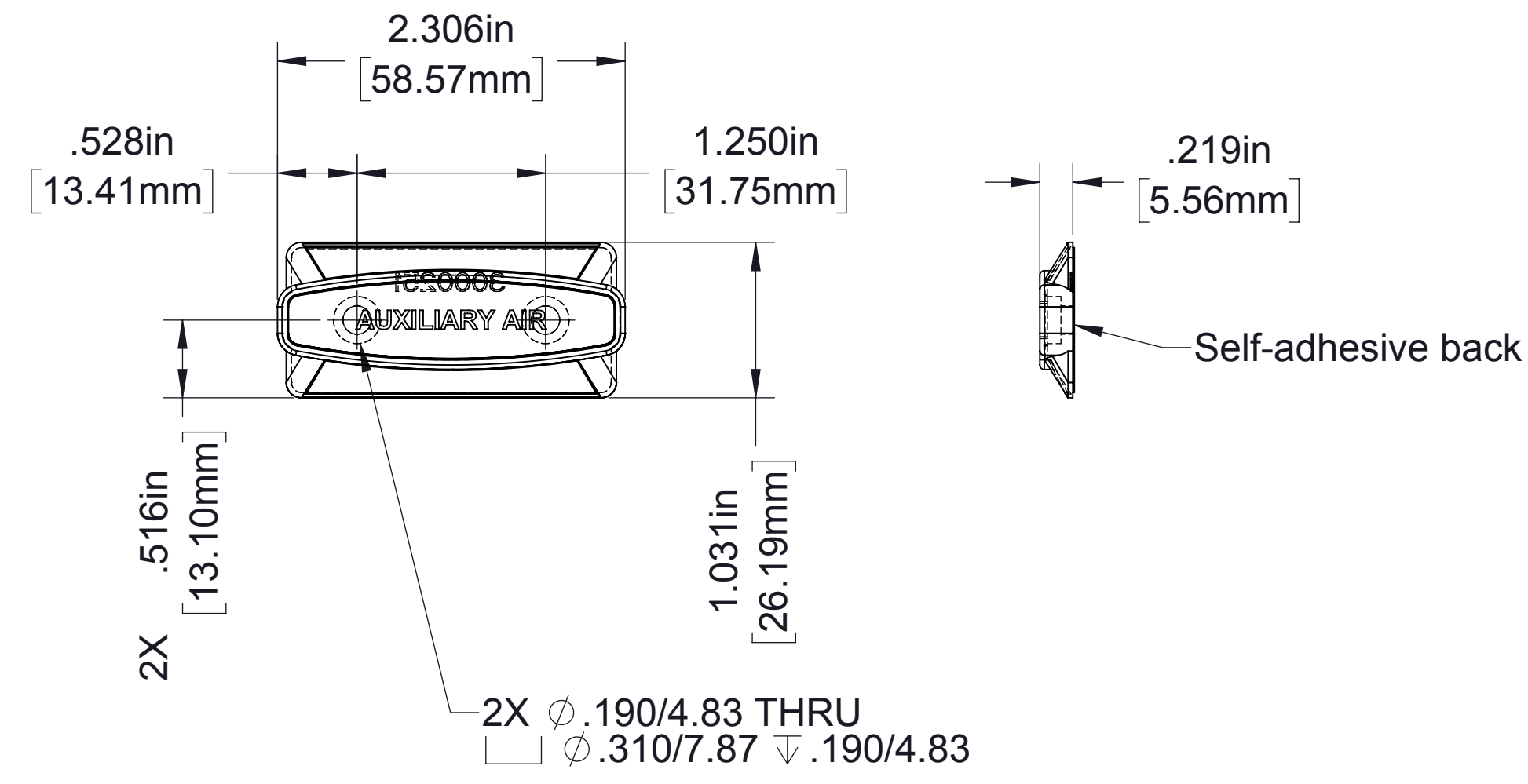
Manual



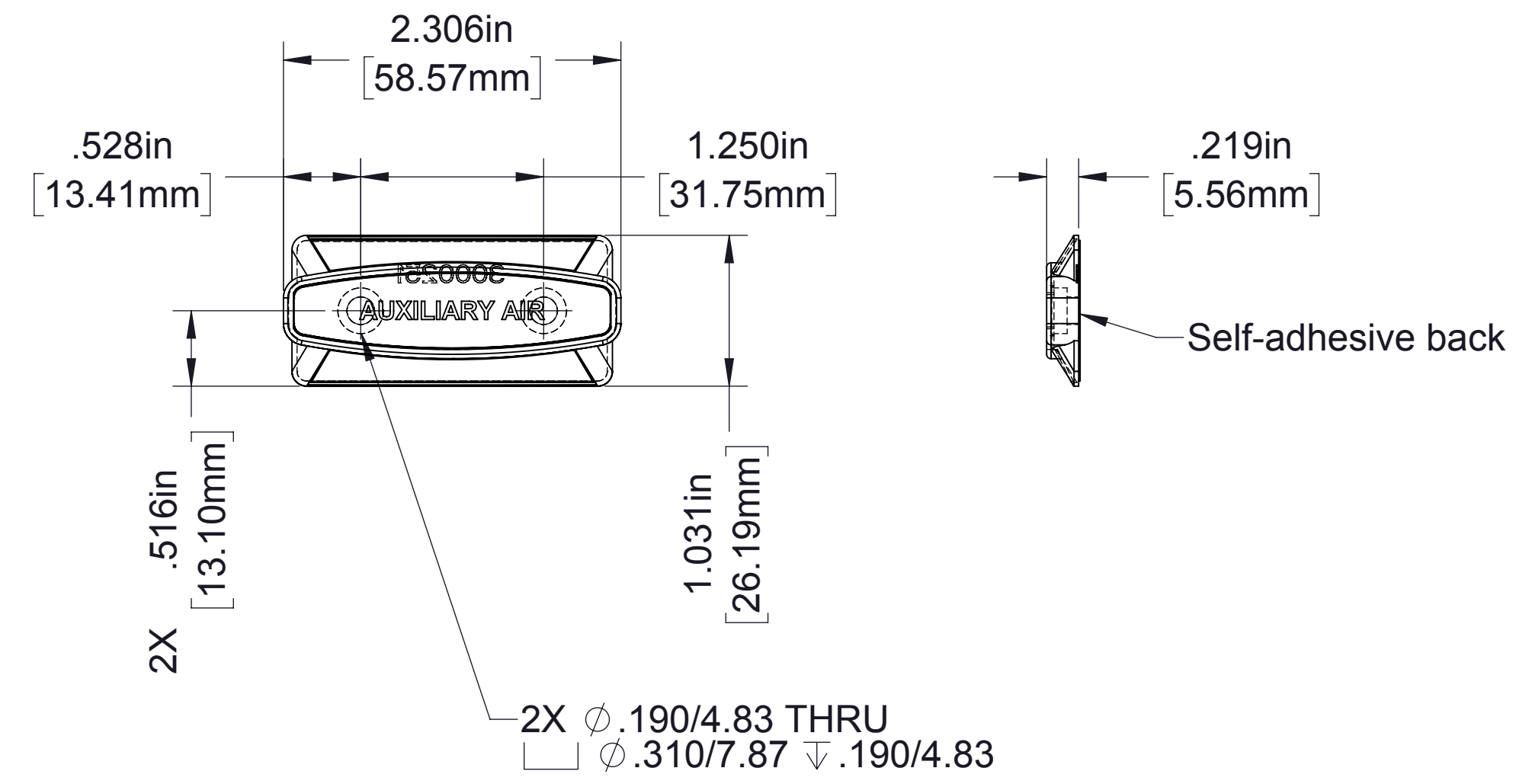
3/4 in



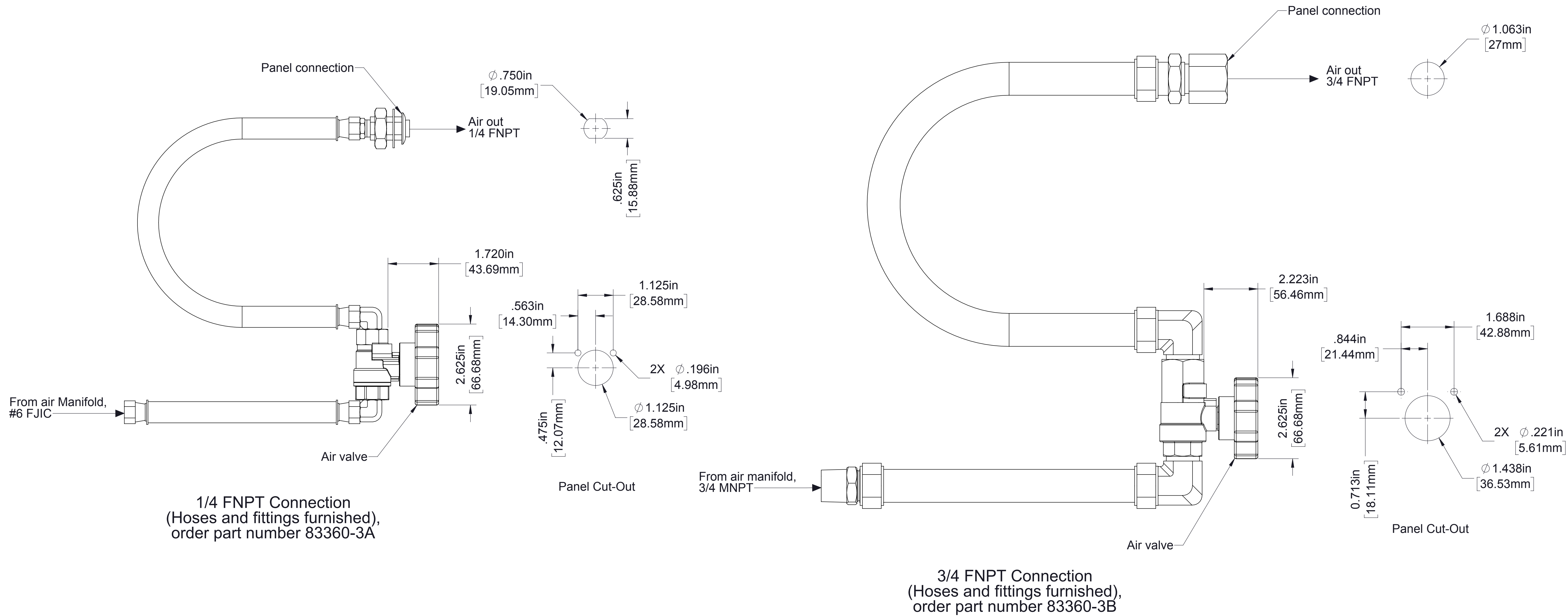
Optional Air Valves



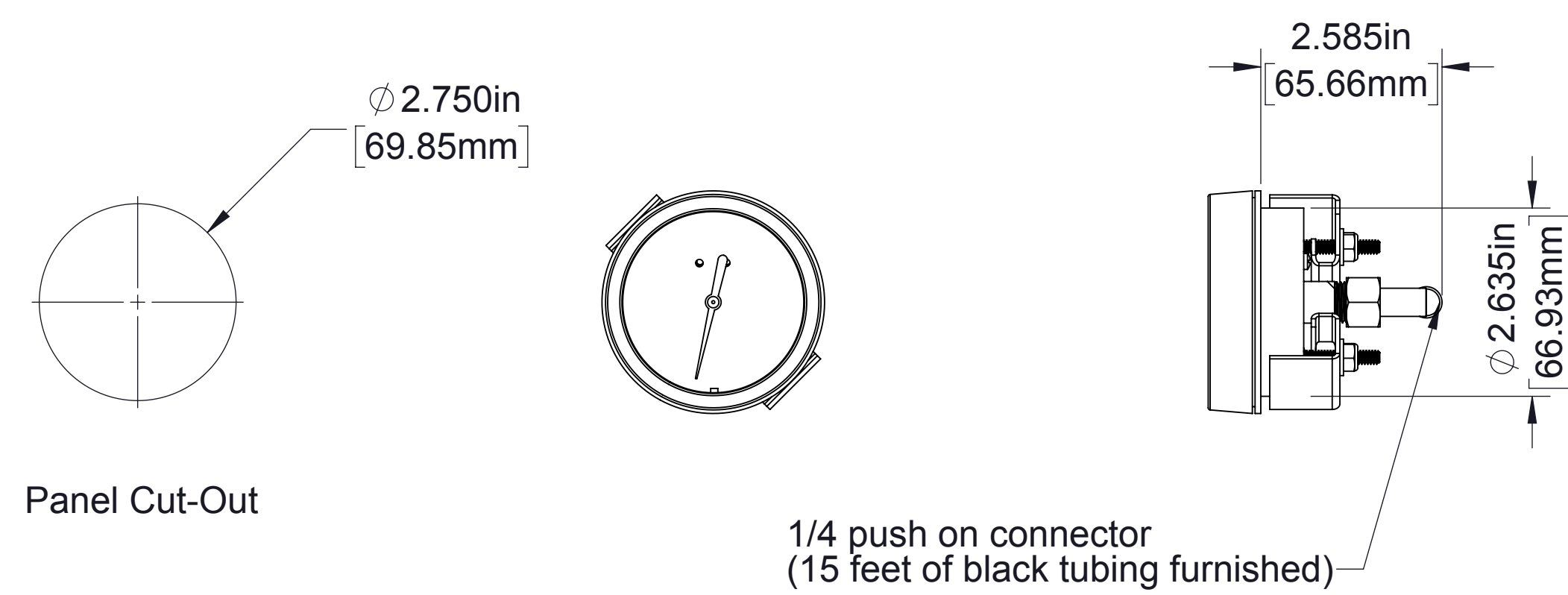
Label



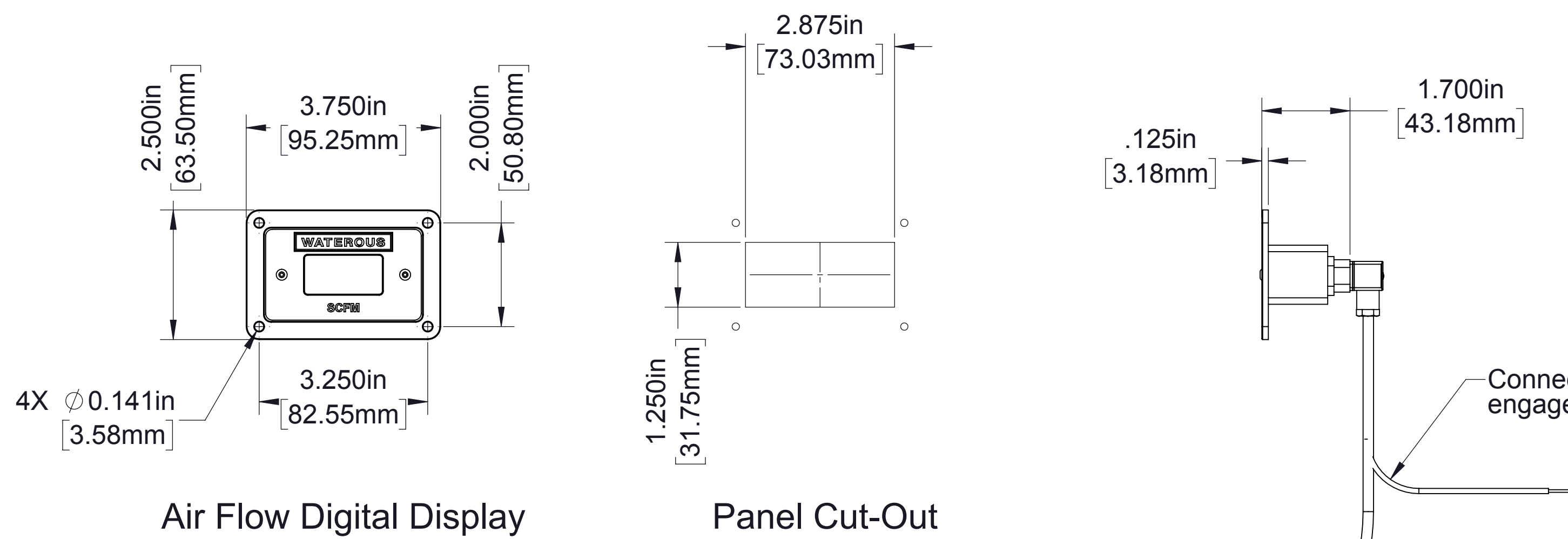
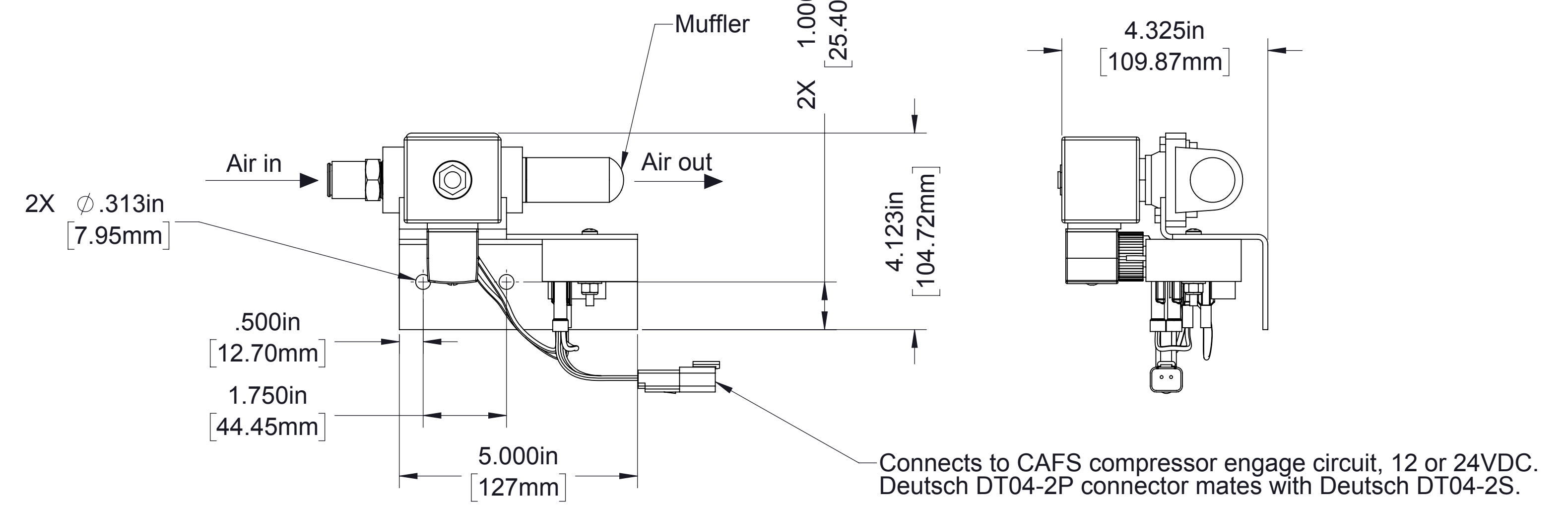
Label



Optional Auxiliary Air Connection

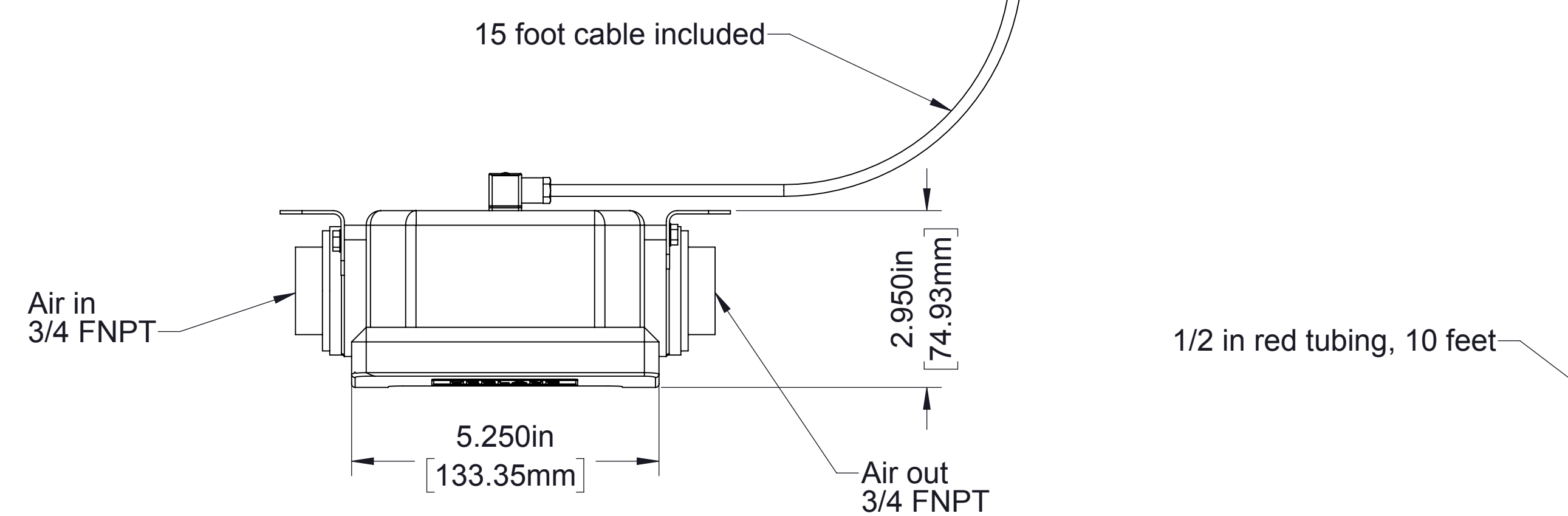


Optional Air Pressure Gauge
 Single Mpa scale order part number 83417-1A
 Dual PSI/Kpa scale order part number 83417-1B



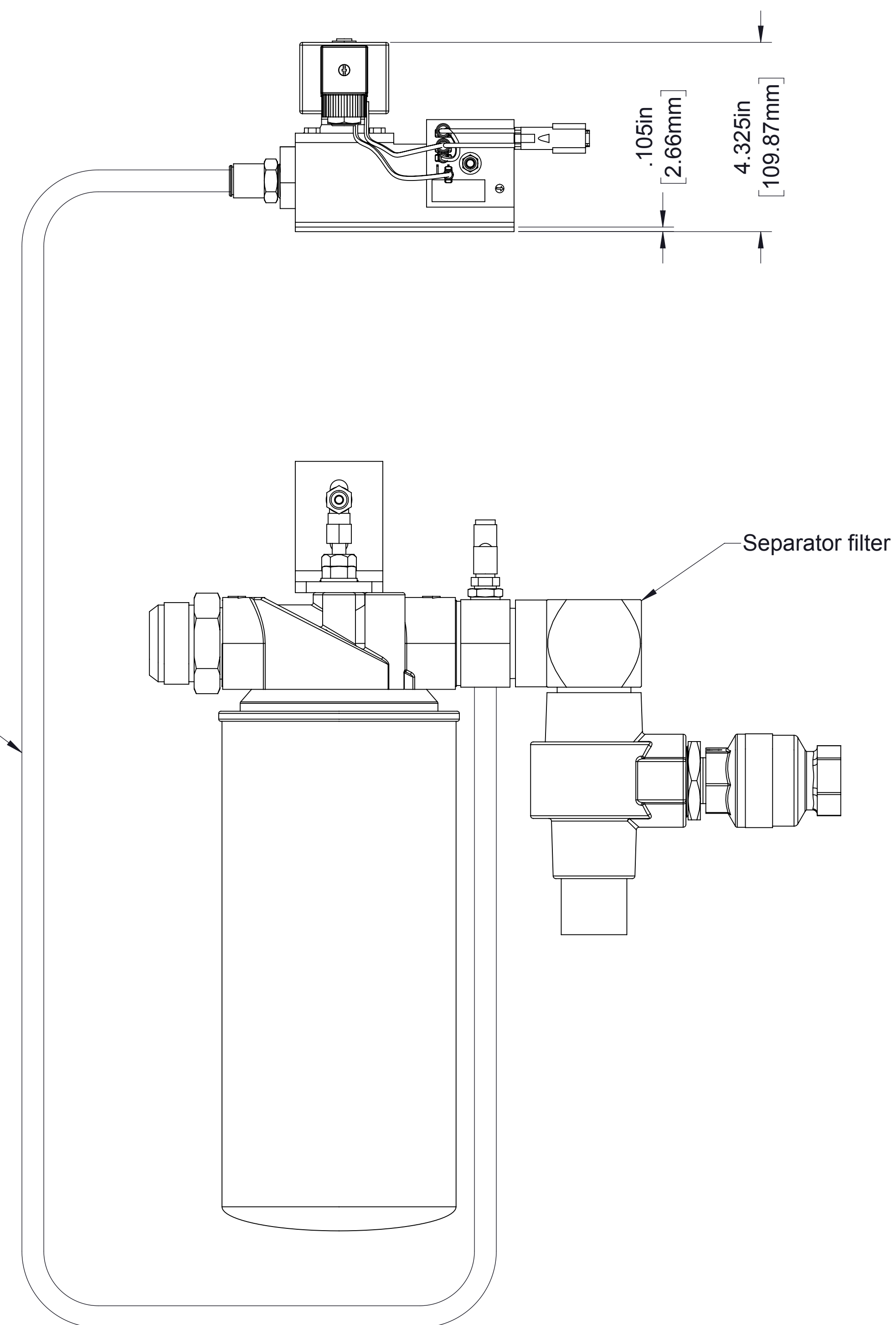
Air Flow Digital Display

Panel Cut-Out



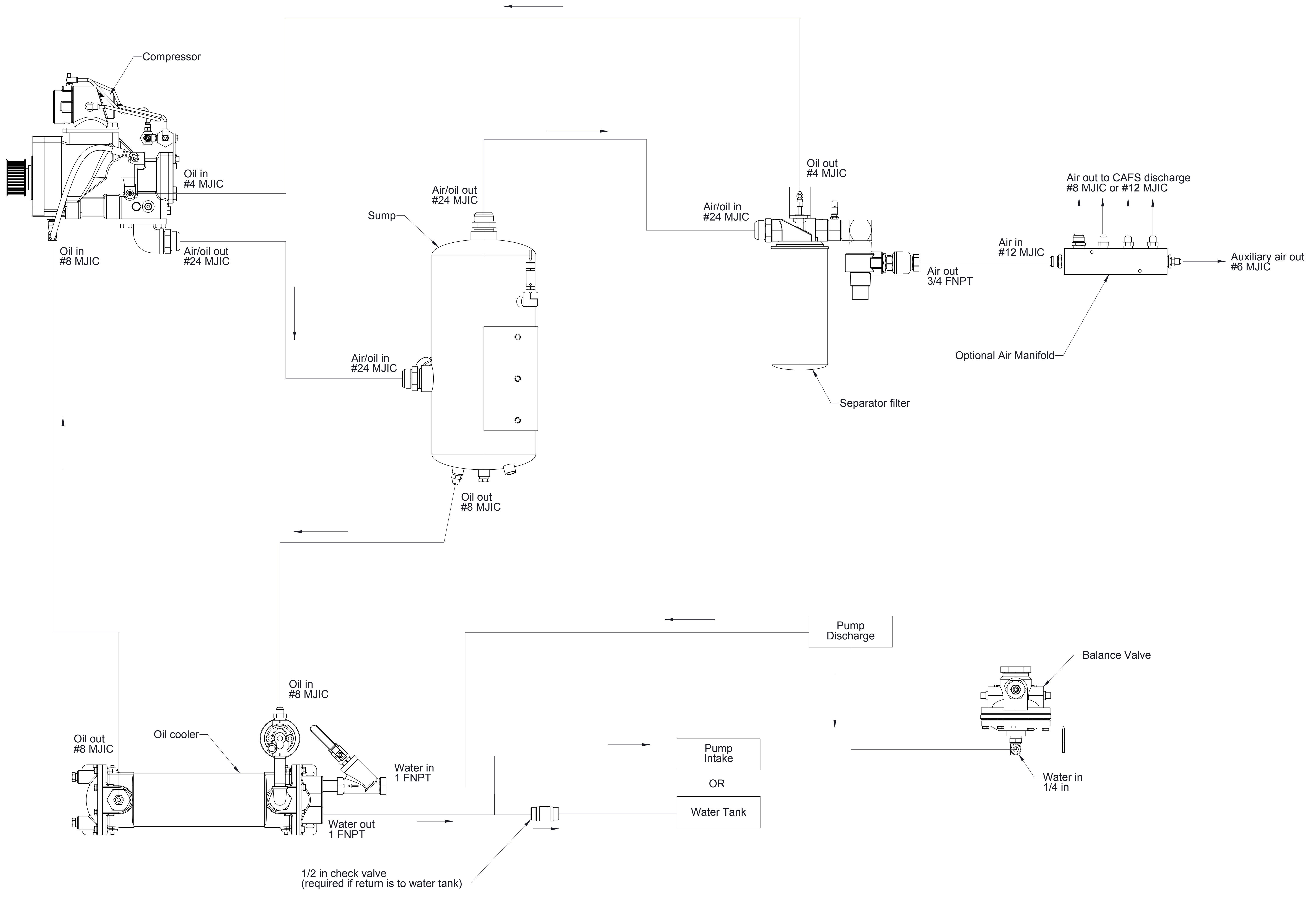
Air Flow Meter

Optional Digital Air Flow Meter
 Order part number Q-0390024 (12V)

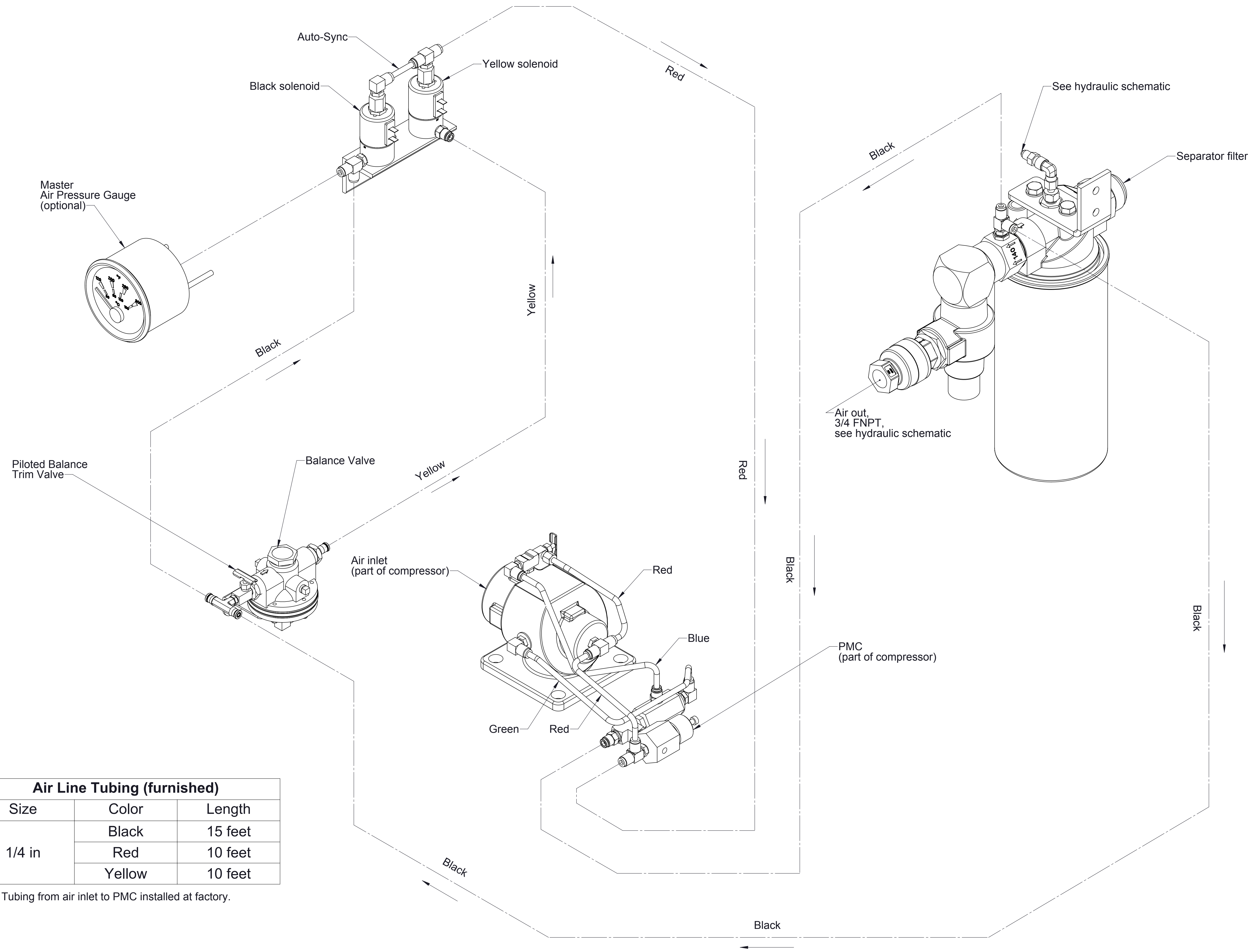


Sump Vent

Vents compressor pressure for 10 seconds at start-up to prevent engine stalling. order part number 83293-2A (12V) or 83293-2B (24V).



Hydraulic Schematic

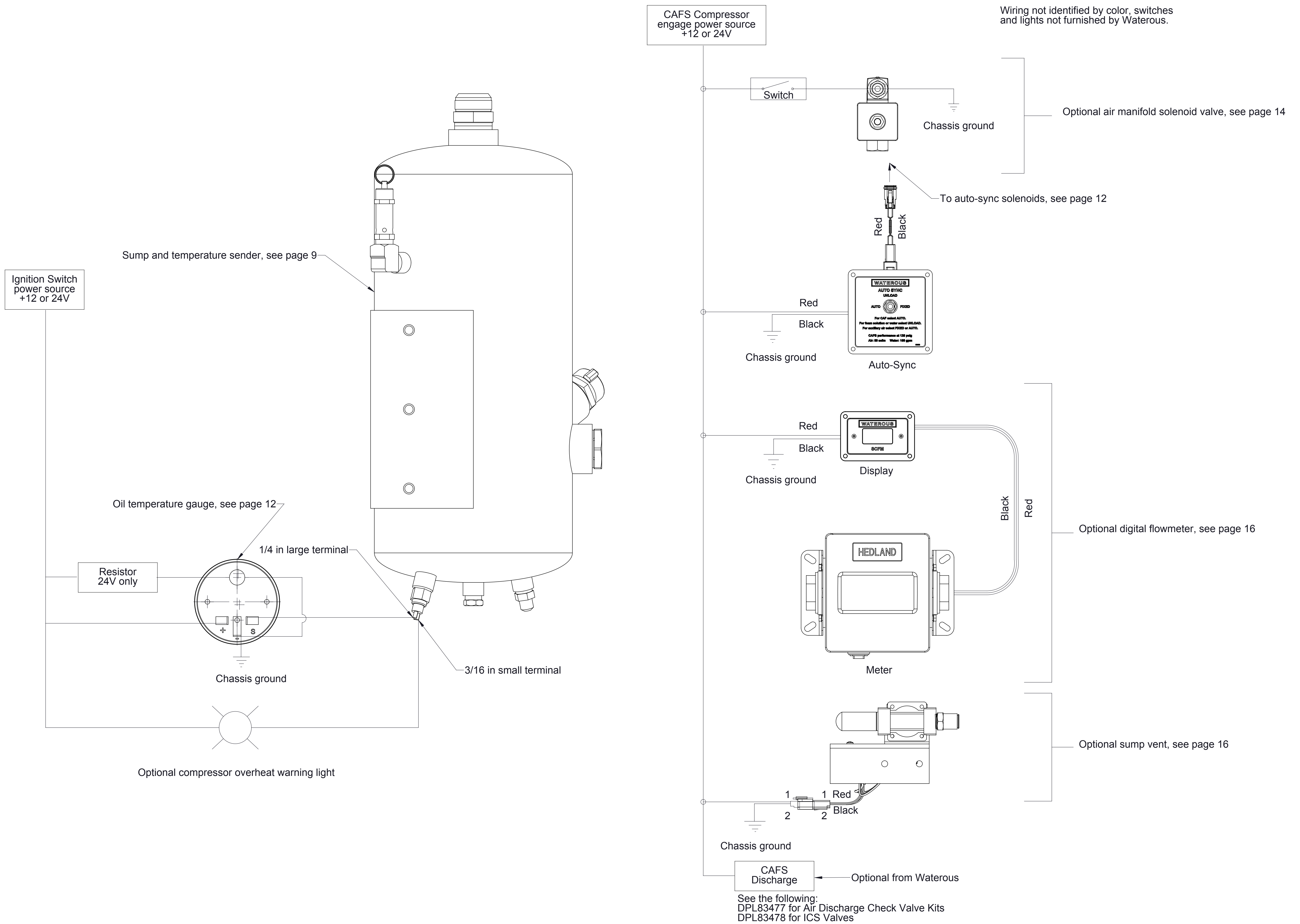


Air Line Tubing (furnished)		
Size	Color	Length
1/4 in	Black	15 feet
	Red	10 feet
	Yellow	10 feet

Note: Tubing from air inlet to PMC installed at factory.

----- Installed by OEM

Air Circuit Schematic



Notes:
 1. Wiring and light not furnished by Waterous.
 2. All wire 16 gauge unless noted otherwise.

Electrical Schematic