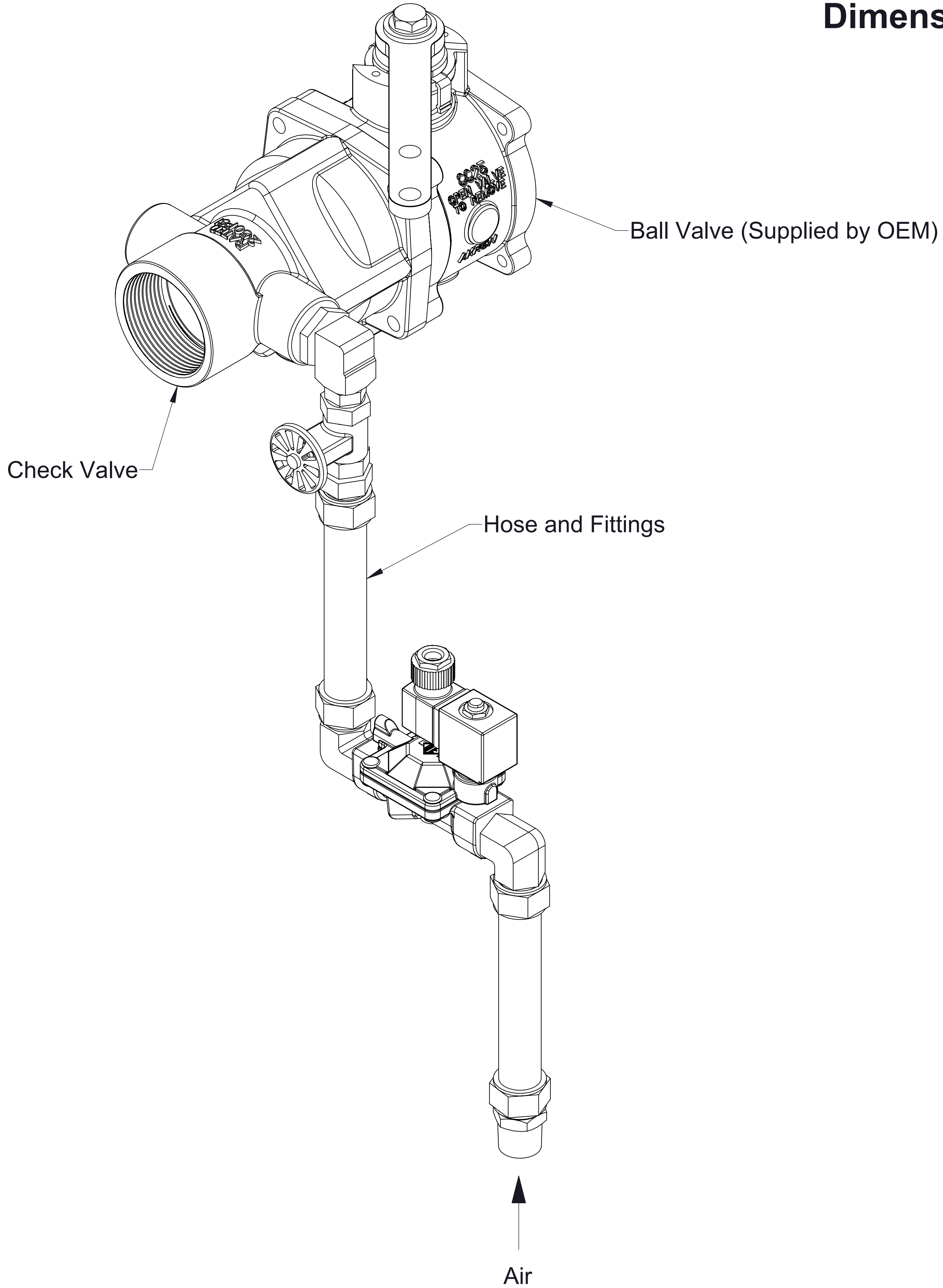
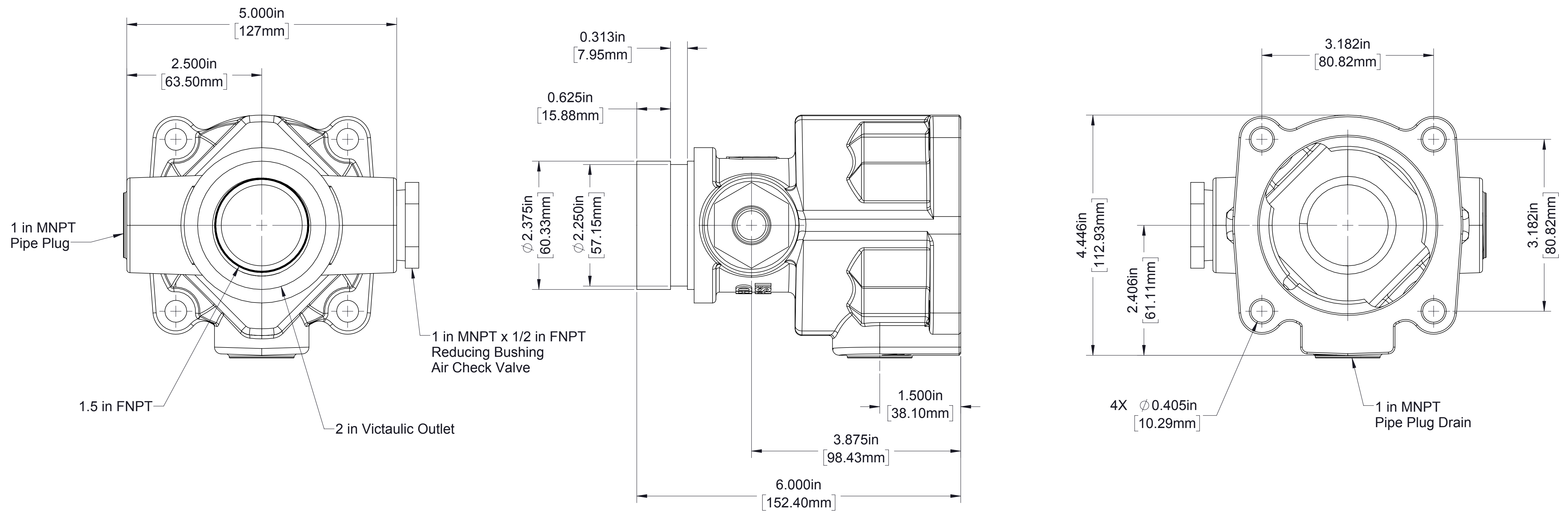


**CAFS Air Discharge Check Valve Kit  
Dimensional Drawing**

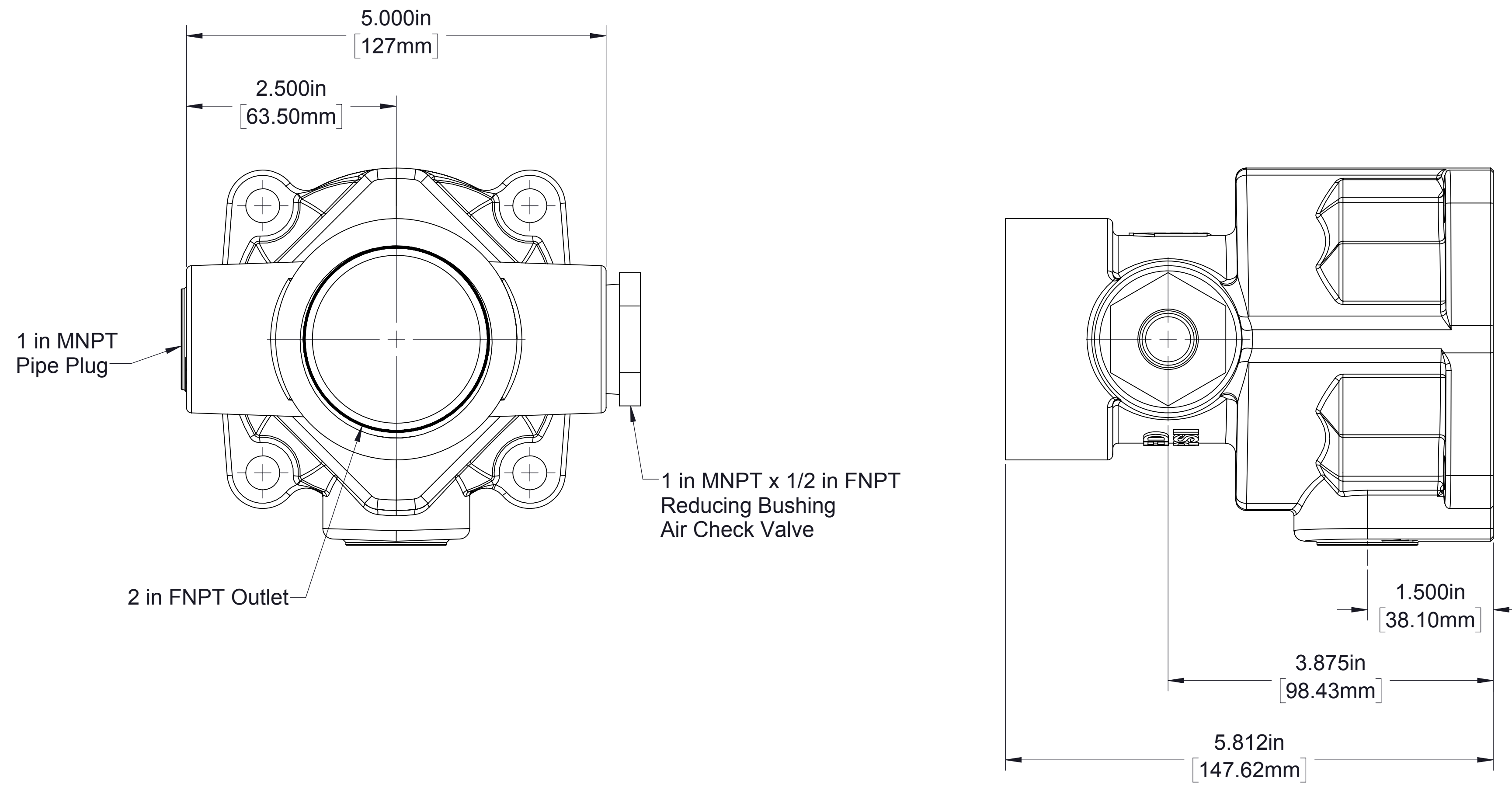


Components:	Page
Check Valve:	
1.5 in Elkhart.....	2
2.0 in Elkhart.....	3
2.5 in Elkhart.....	4
Optional Air Valve:	
Electric.....	5
Manual.....	5
Electric Air Valve Wiring.....	6
Hose and Fittings.....	6

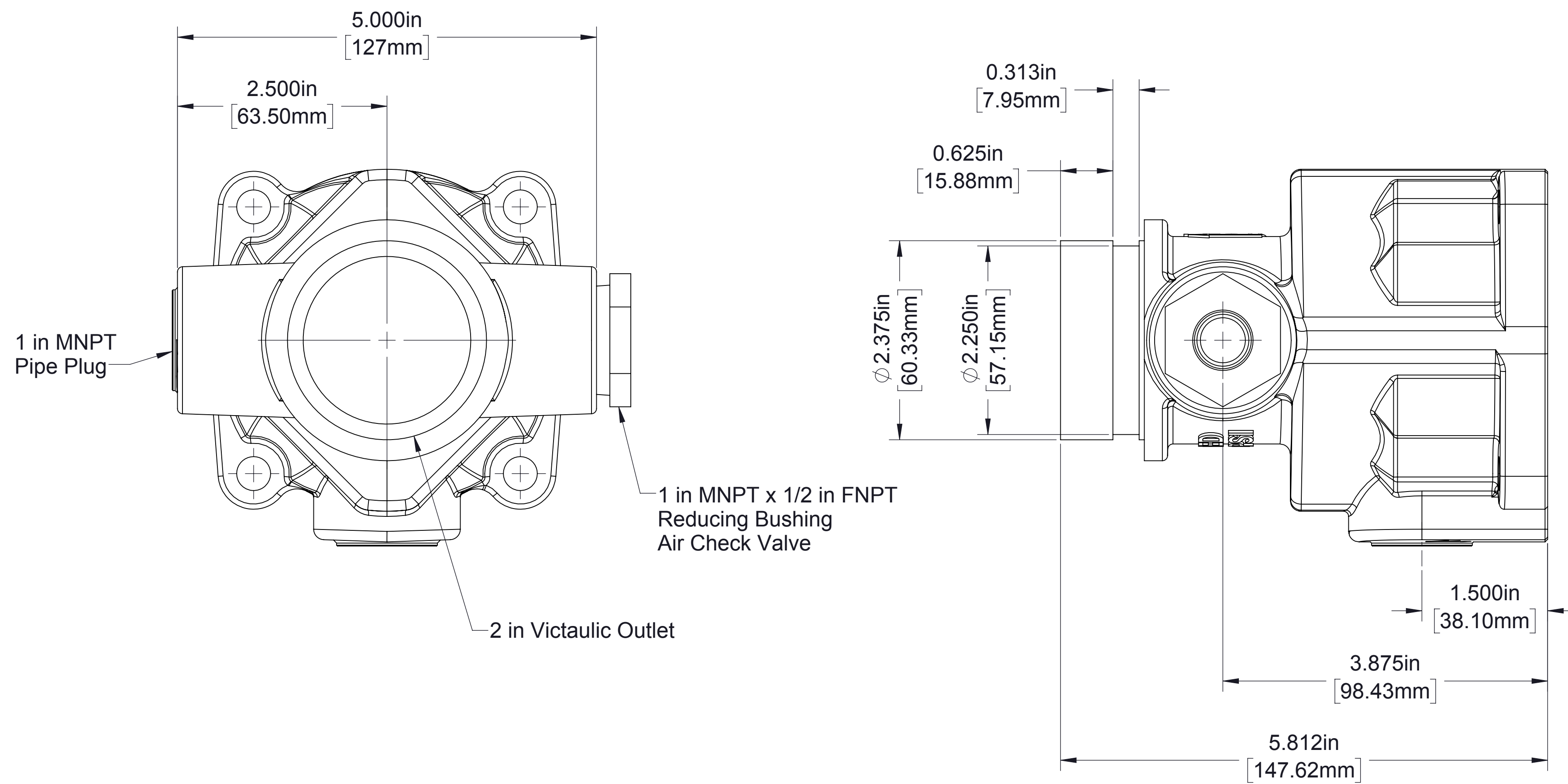
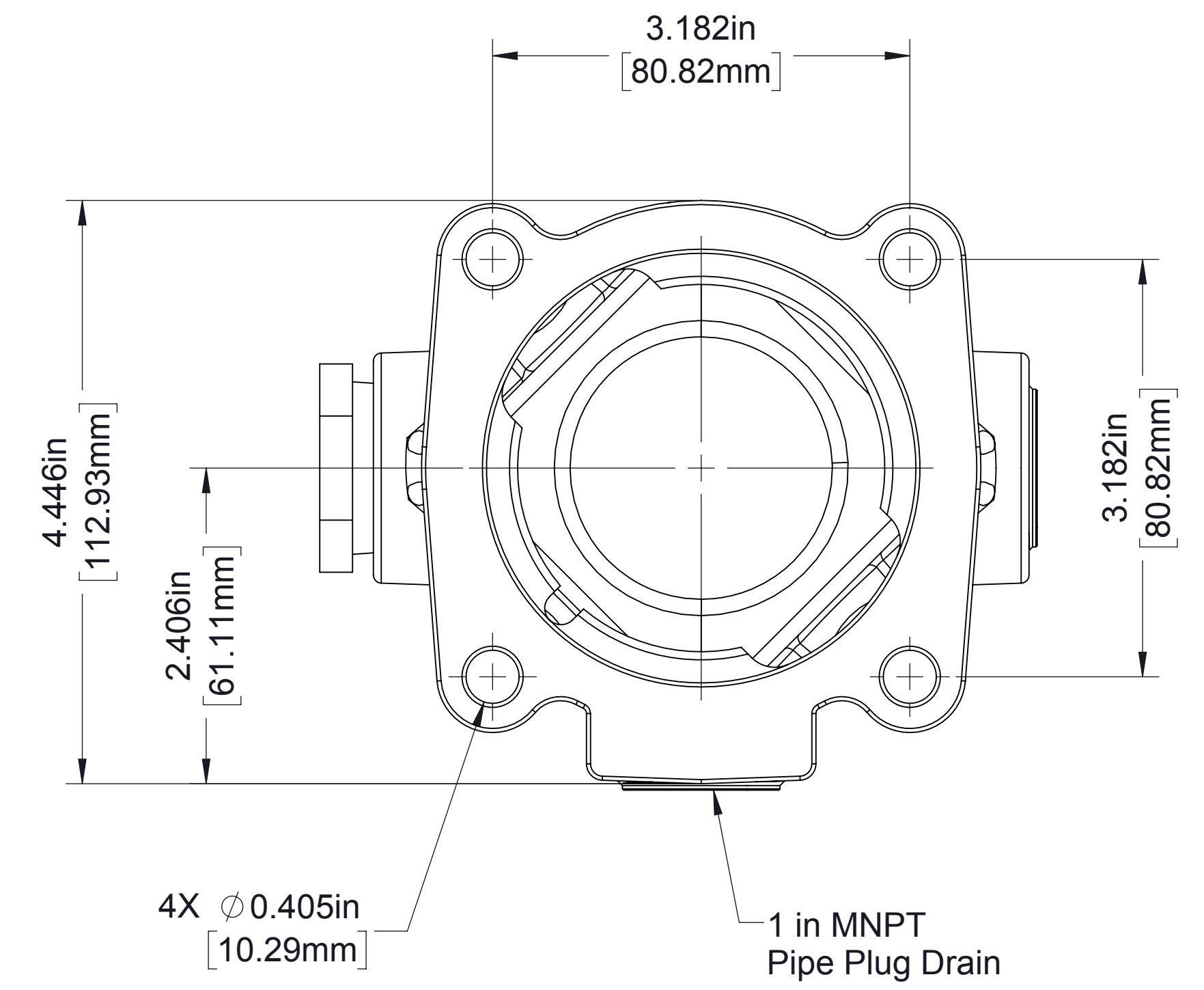


Note:  
 1. 1.5 in valve has both victaulic and FNPT on outlet.

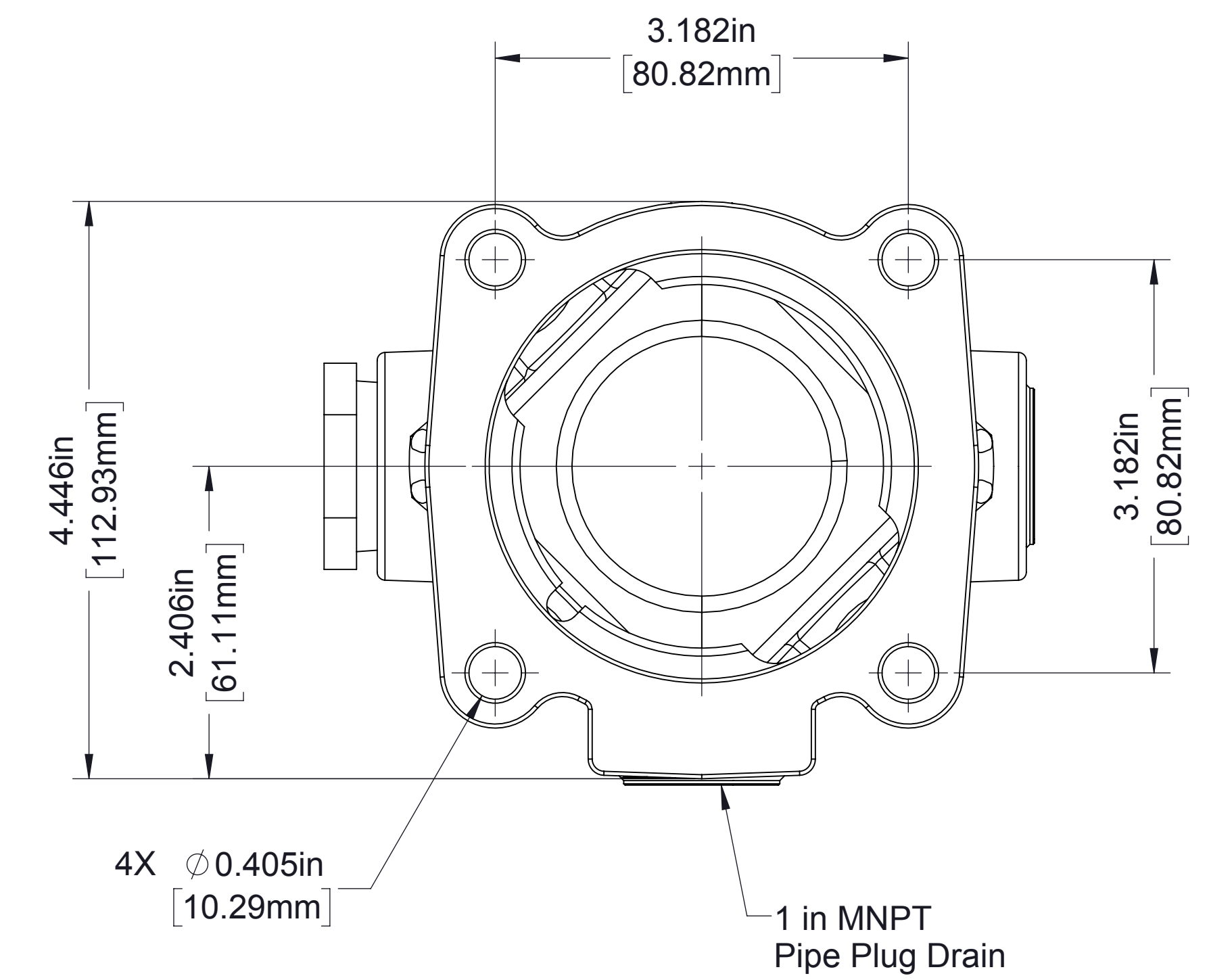
**1.5 in Check Valve**



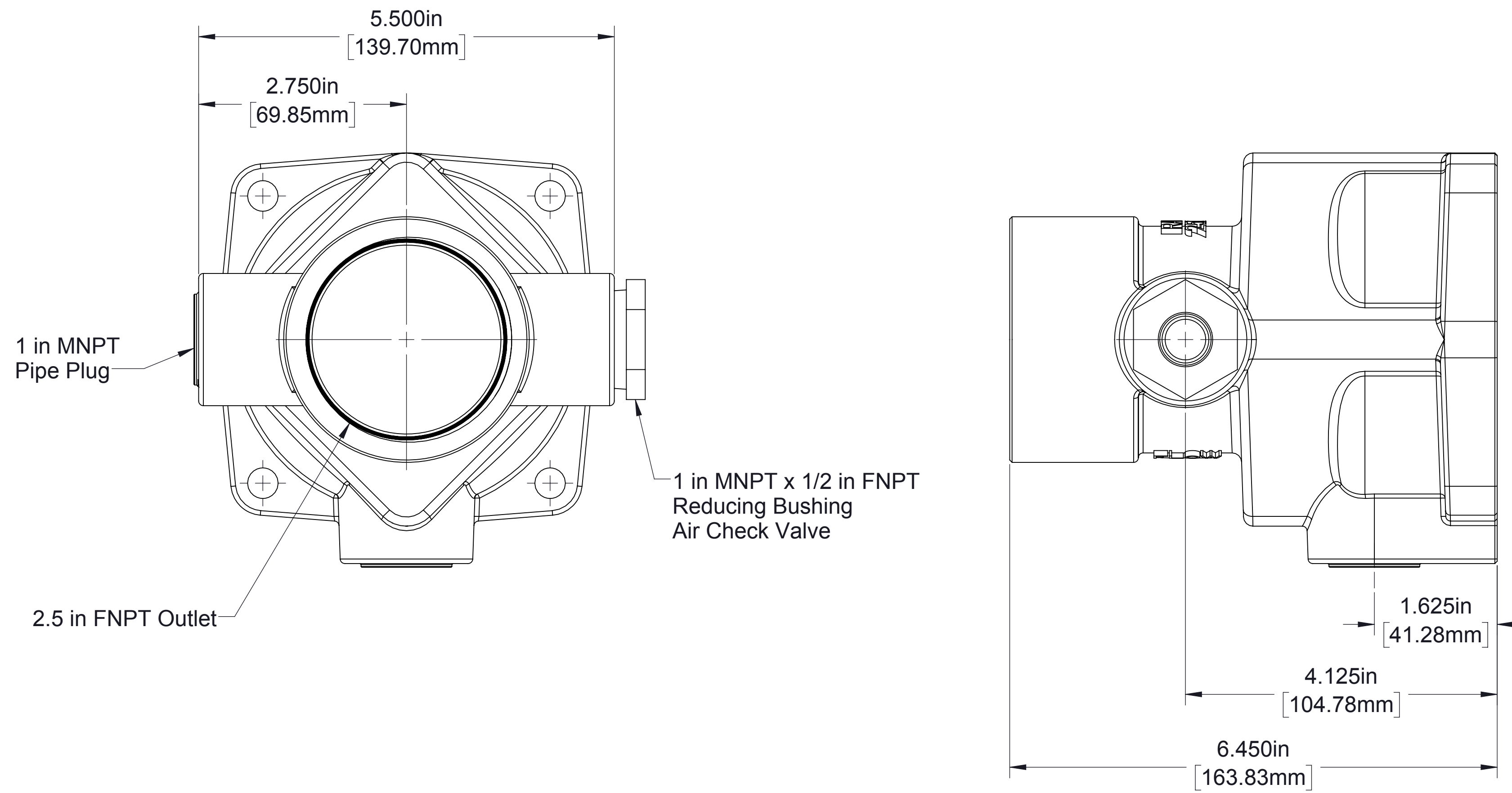
2.0 in FNPT Outlet



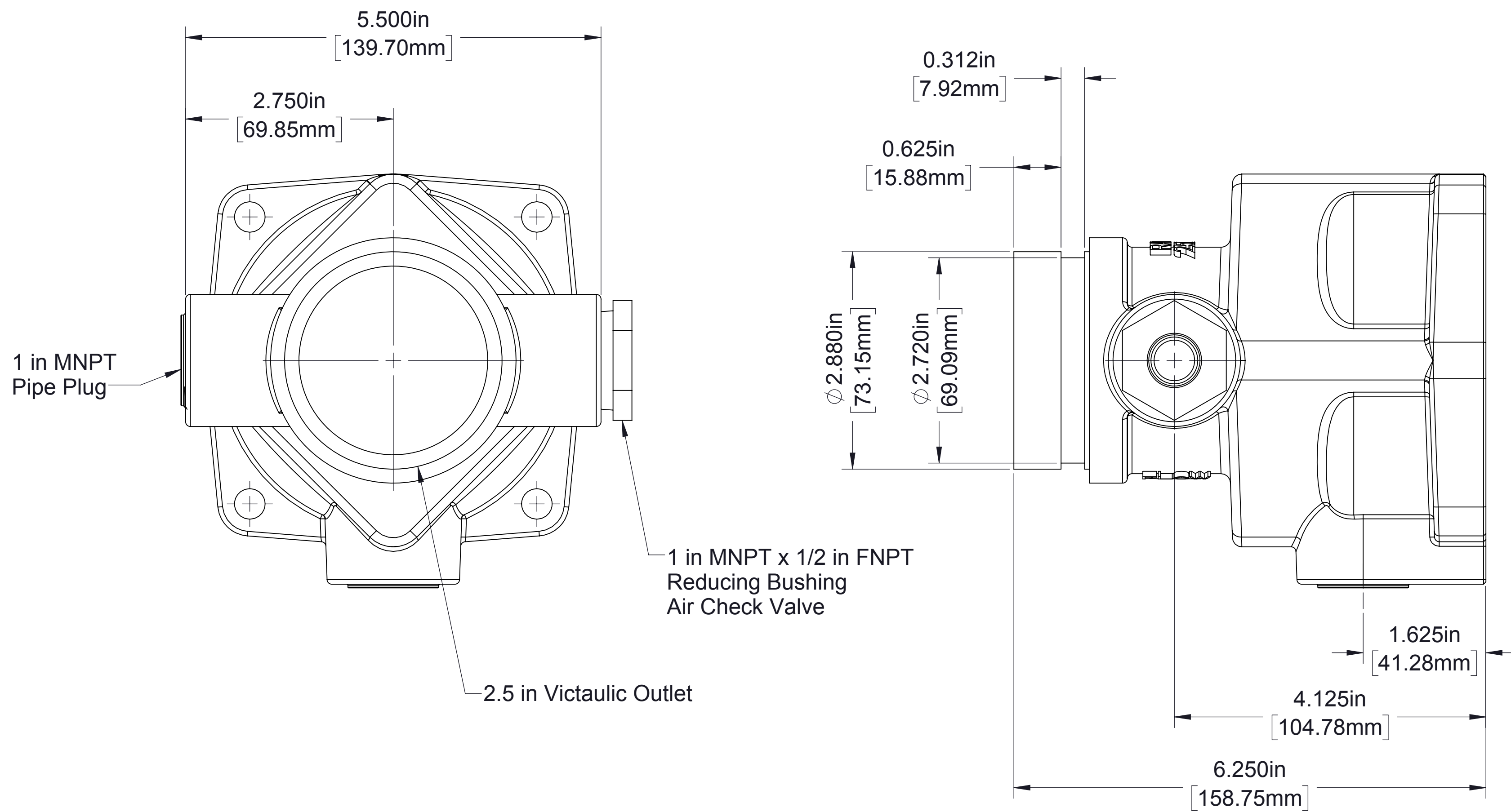
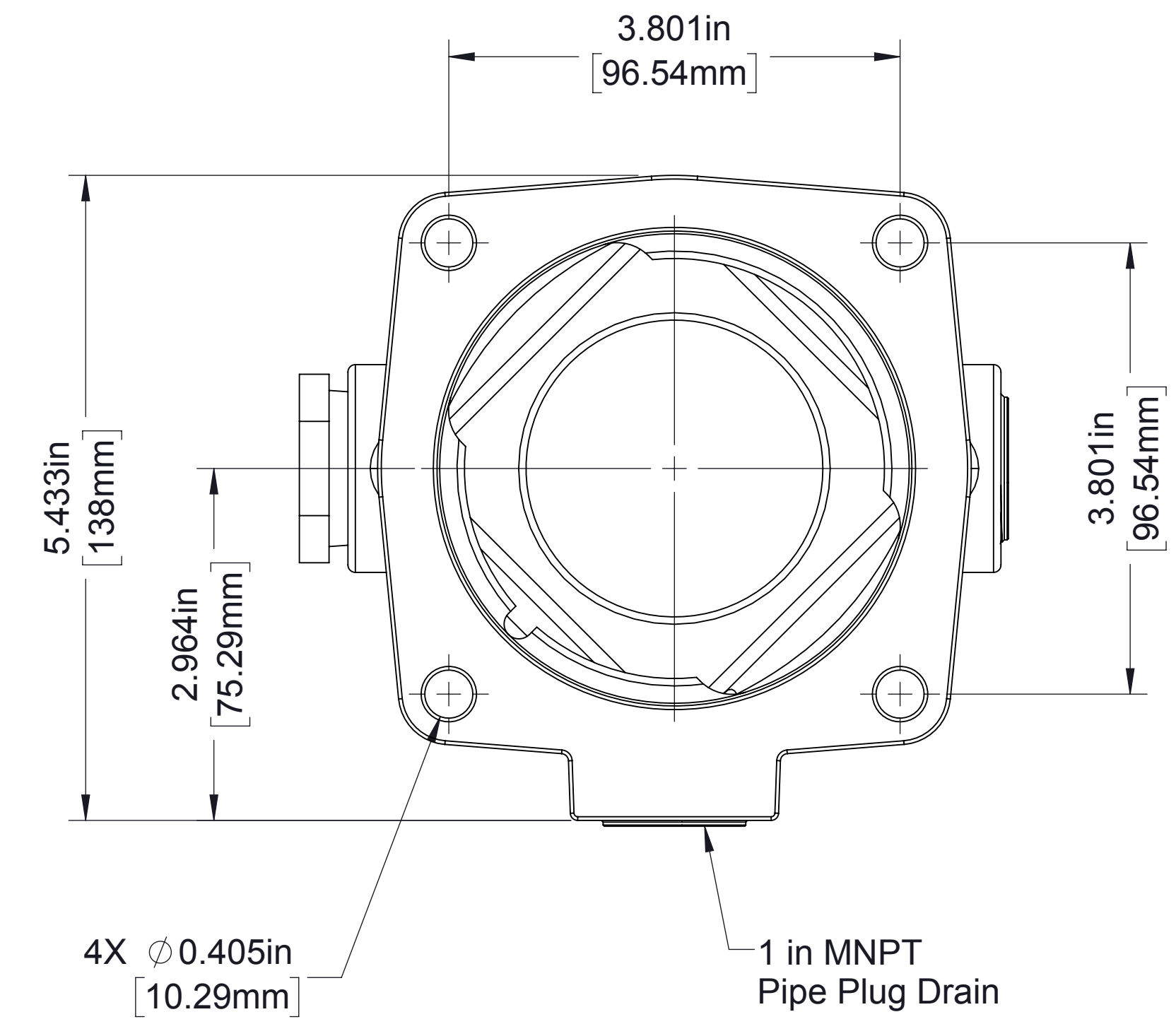
2.0 in Victaulic Outlet



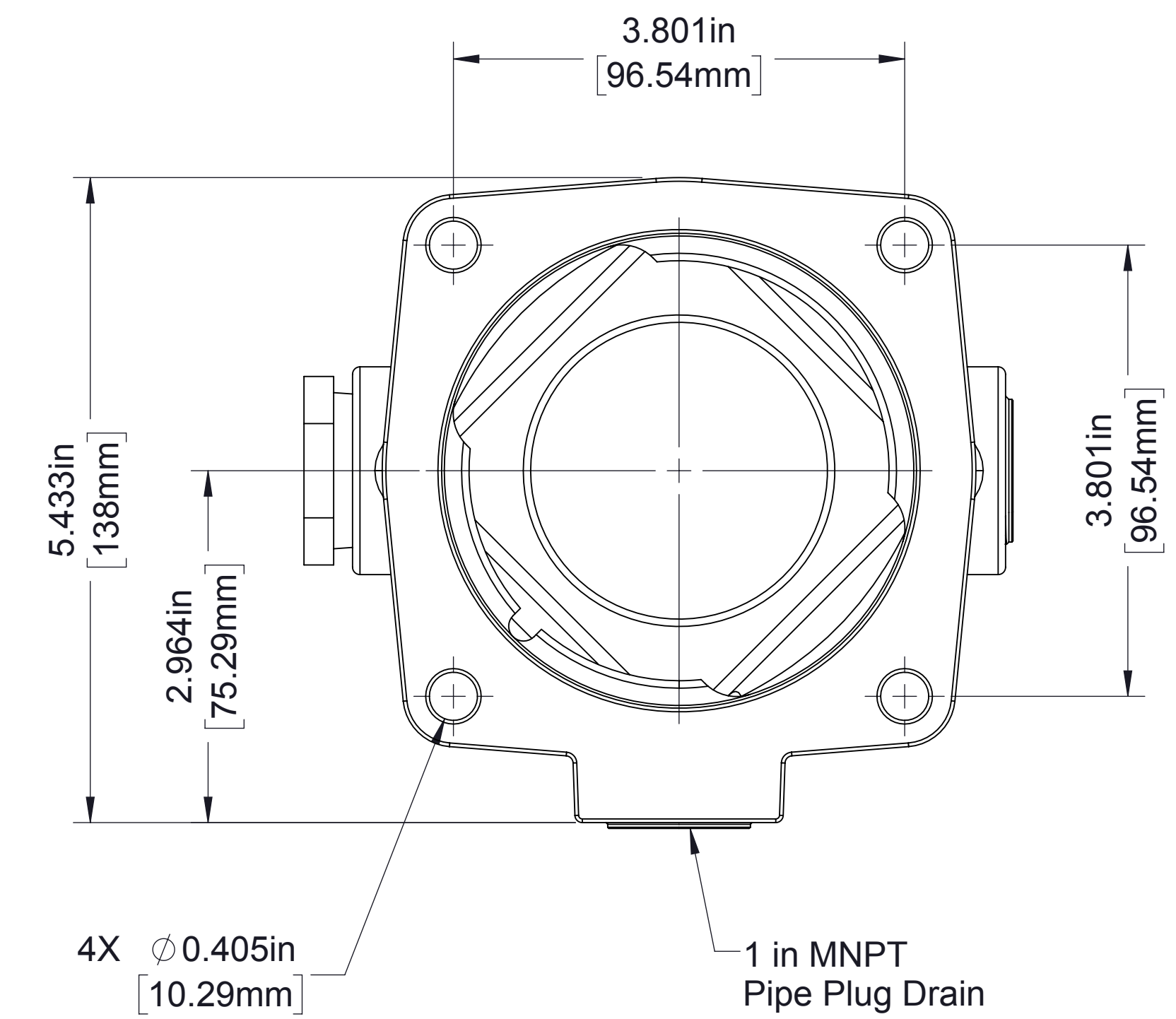
2.0 in Check Valve



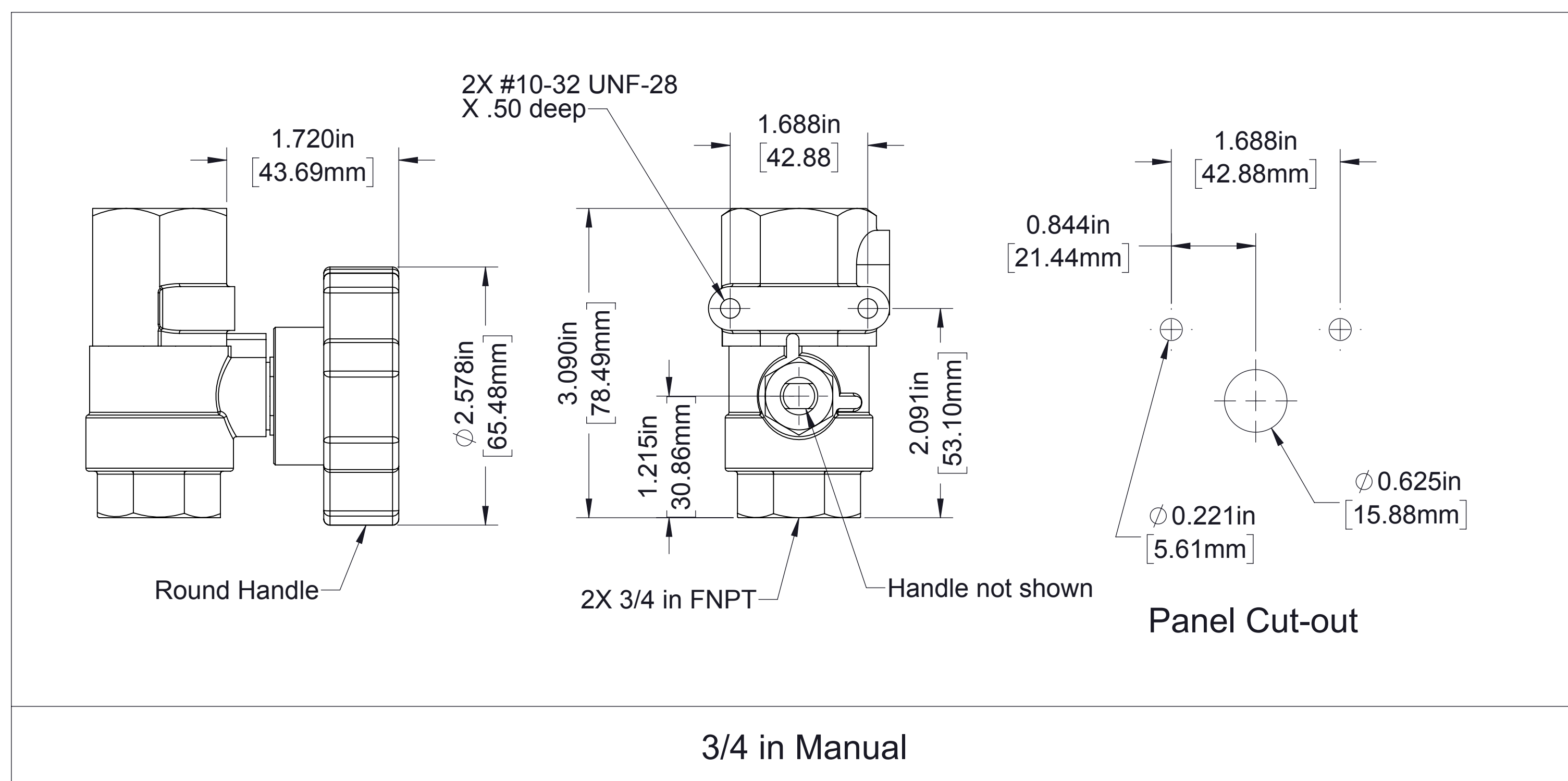
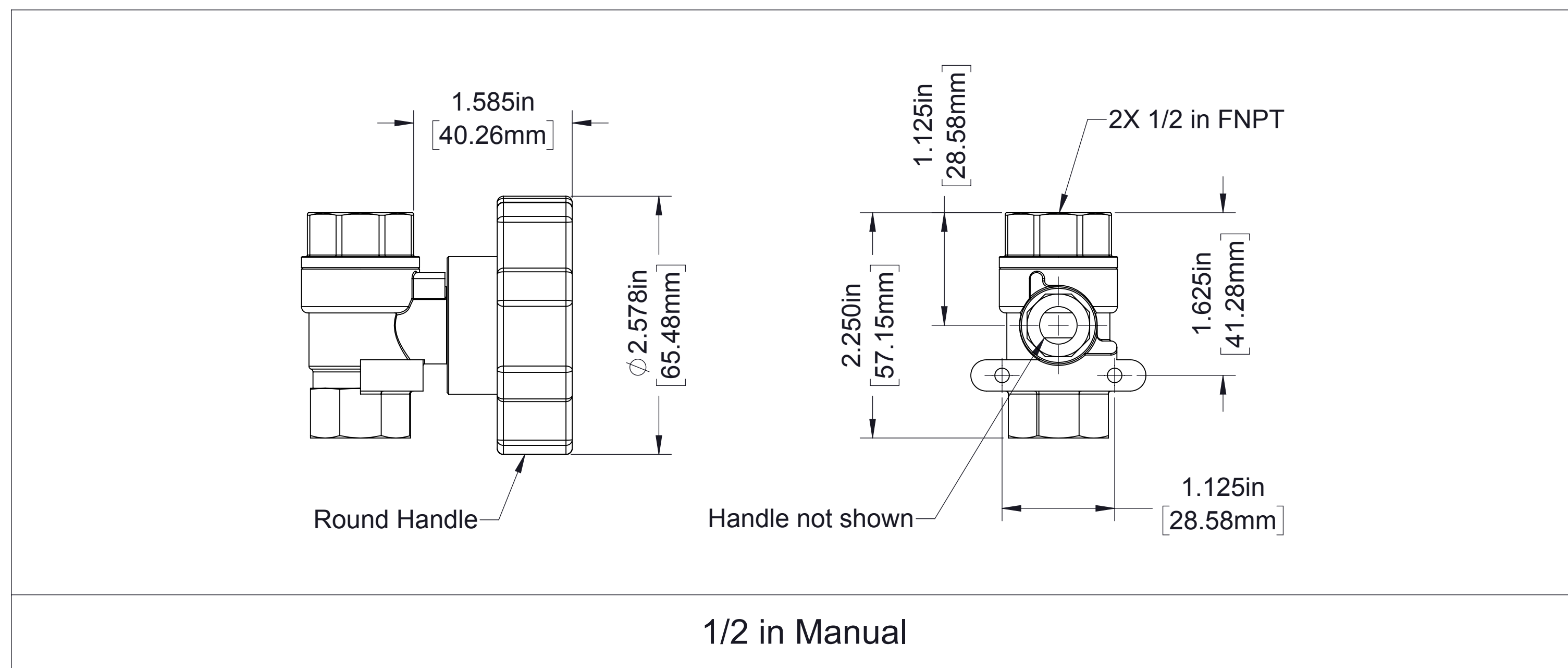
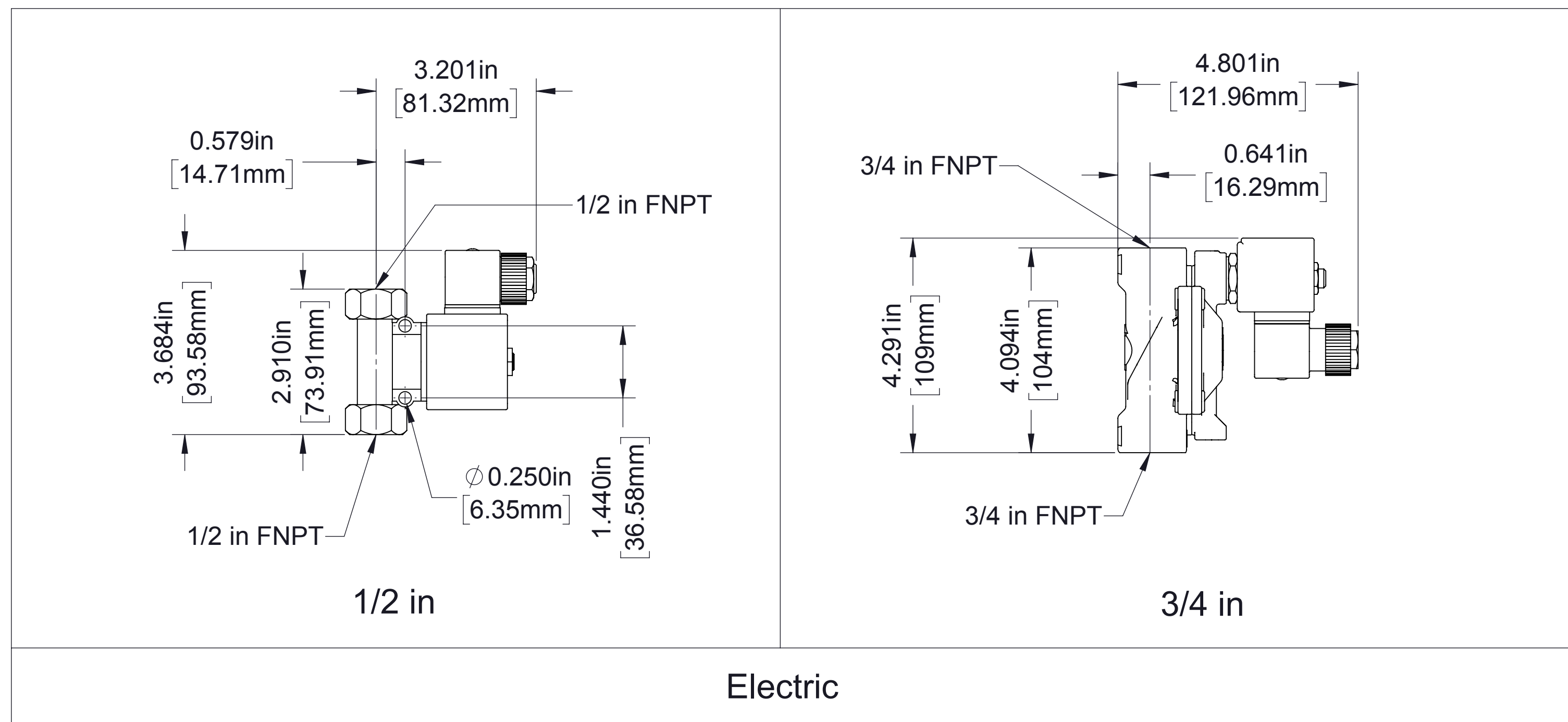
2.5 in FNPT Outlet



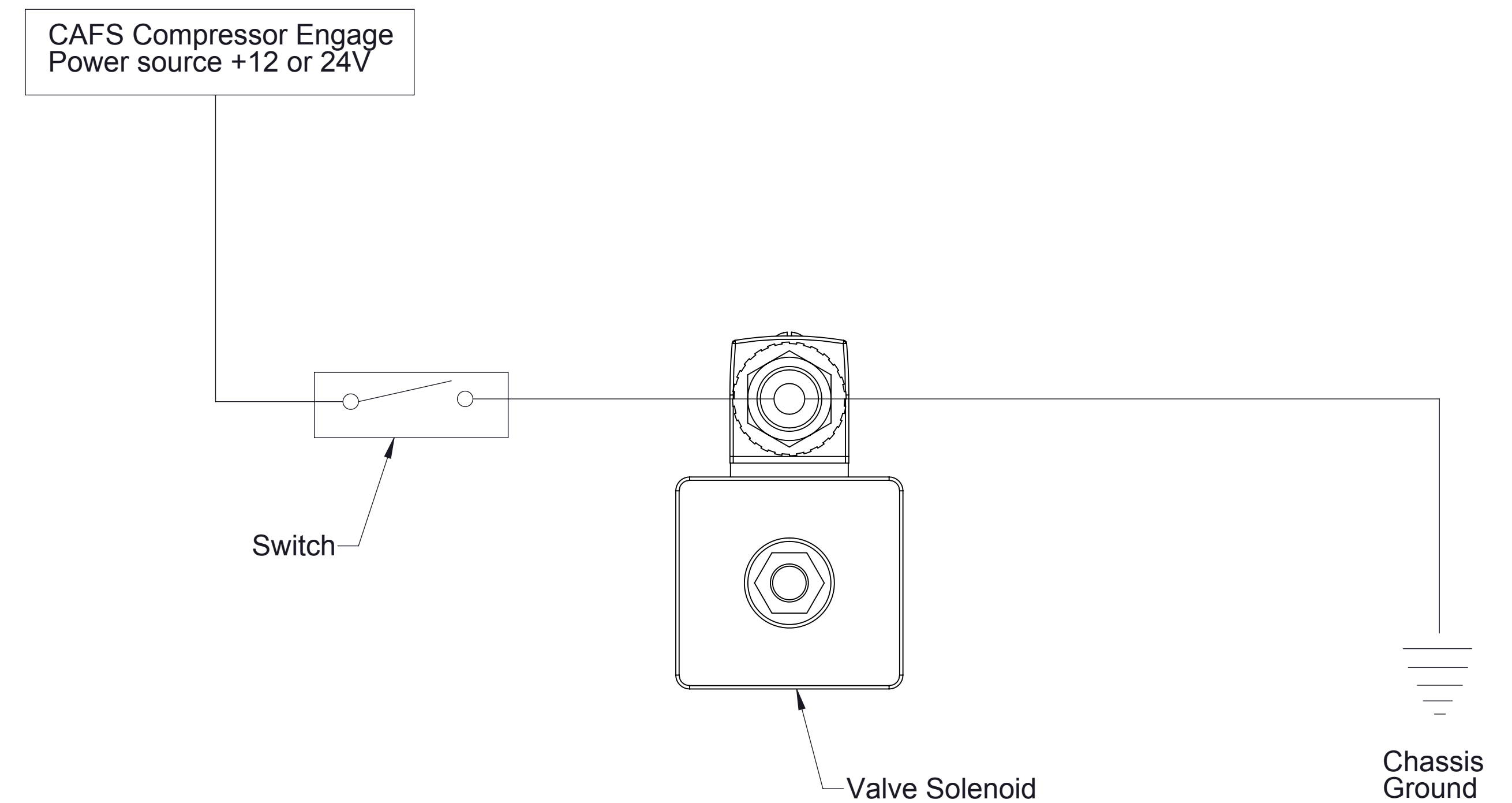
2.5 in Victaulic Outlet



2.5 in Check Valve

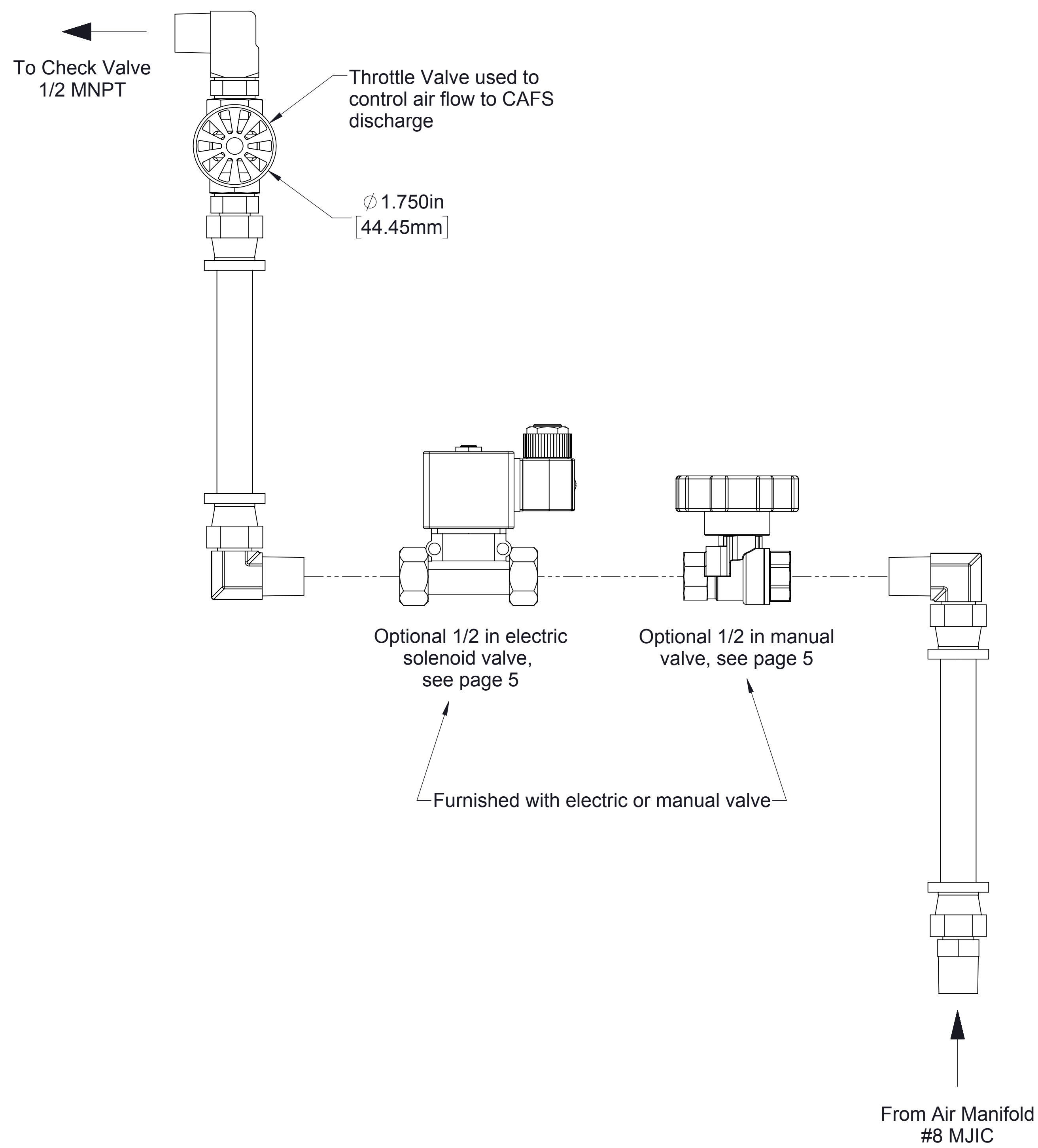


**Optional Air Valves**

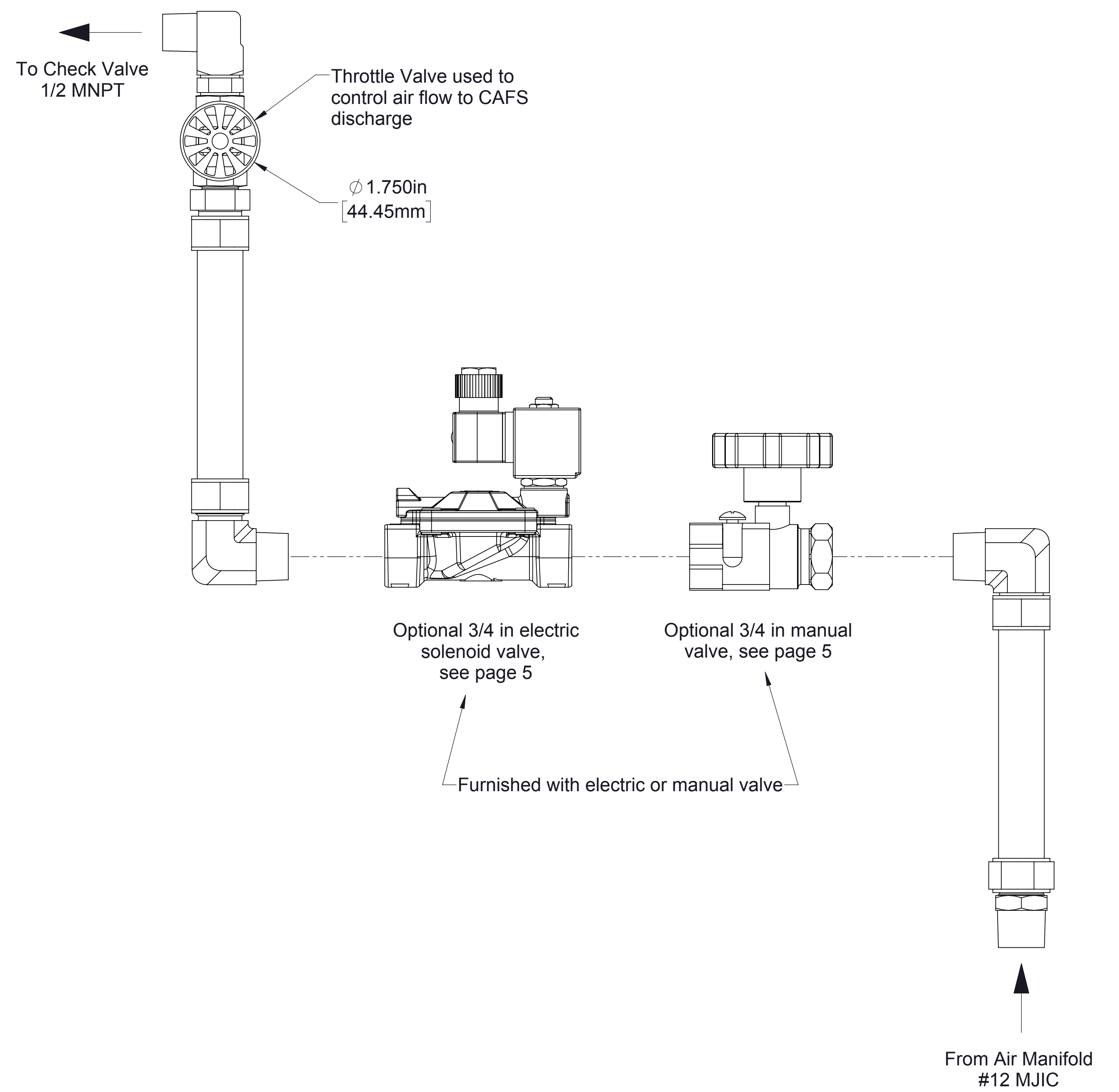


**Electric Valve Wiring**

Wiring (16 Gauge Required) and switch not furnished by Waterous



1.5 in or 2.0 in check valve hose and fittings, 1/2 in valve, fittings and hose furnished



2.5 in check valve hose and fittings, 3/4 in valve, fittings and hose furnished

**Hose and fittings**  
10 foot/3.04 meter length of  
hose furnished with each valve