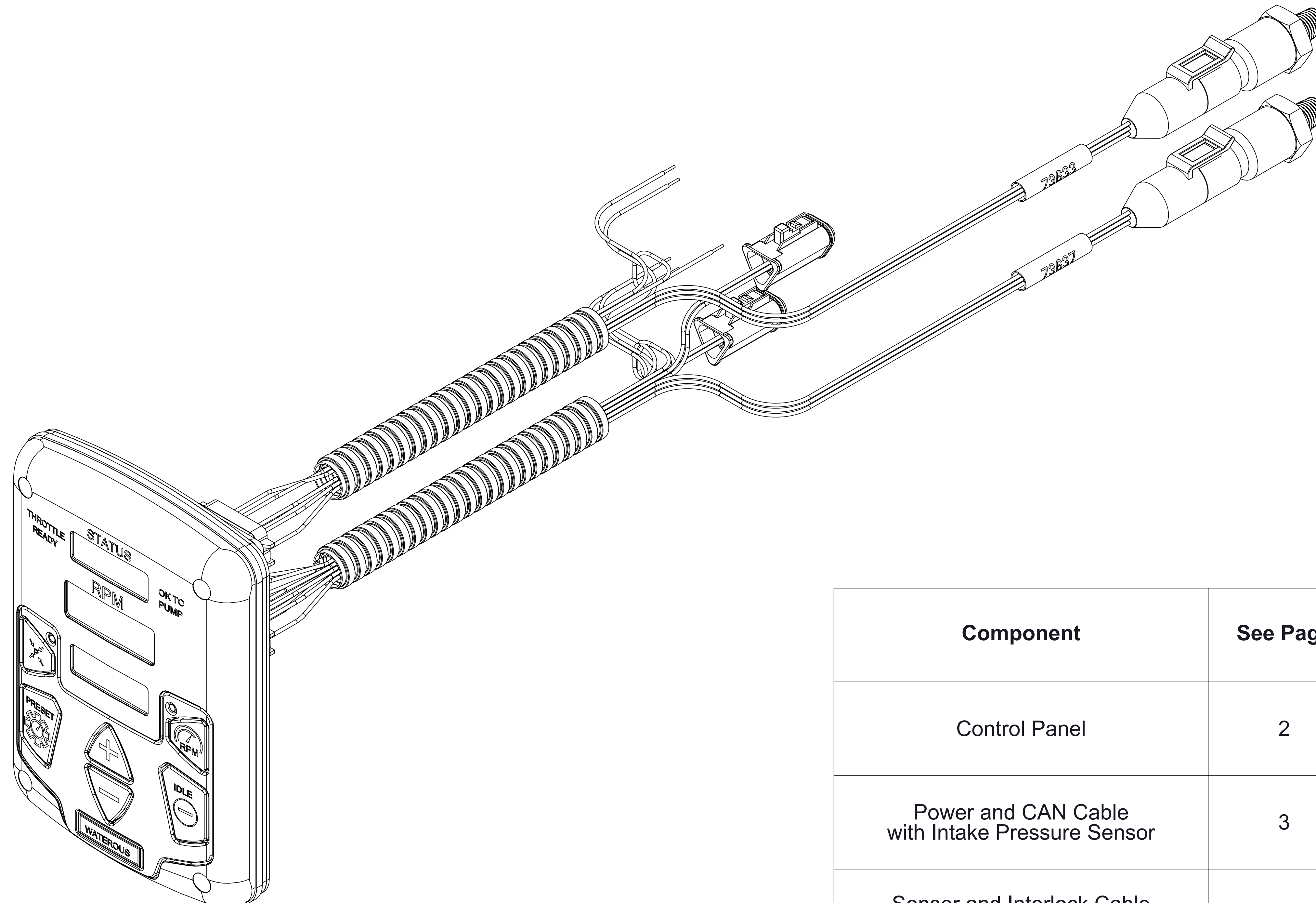
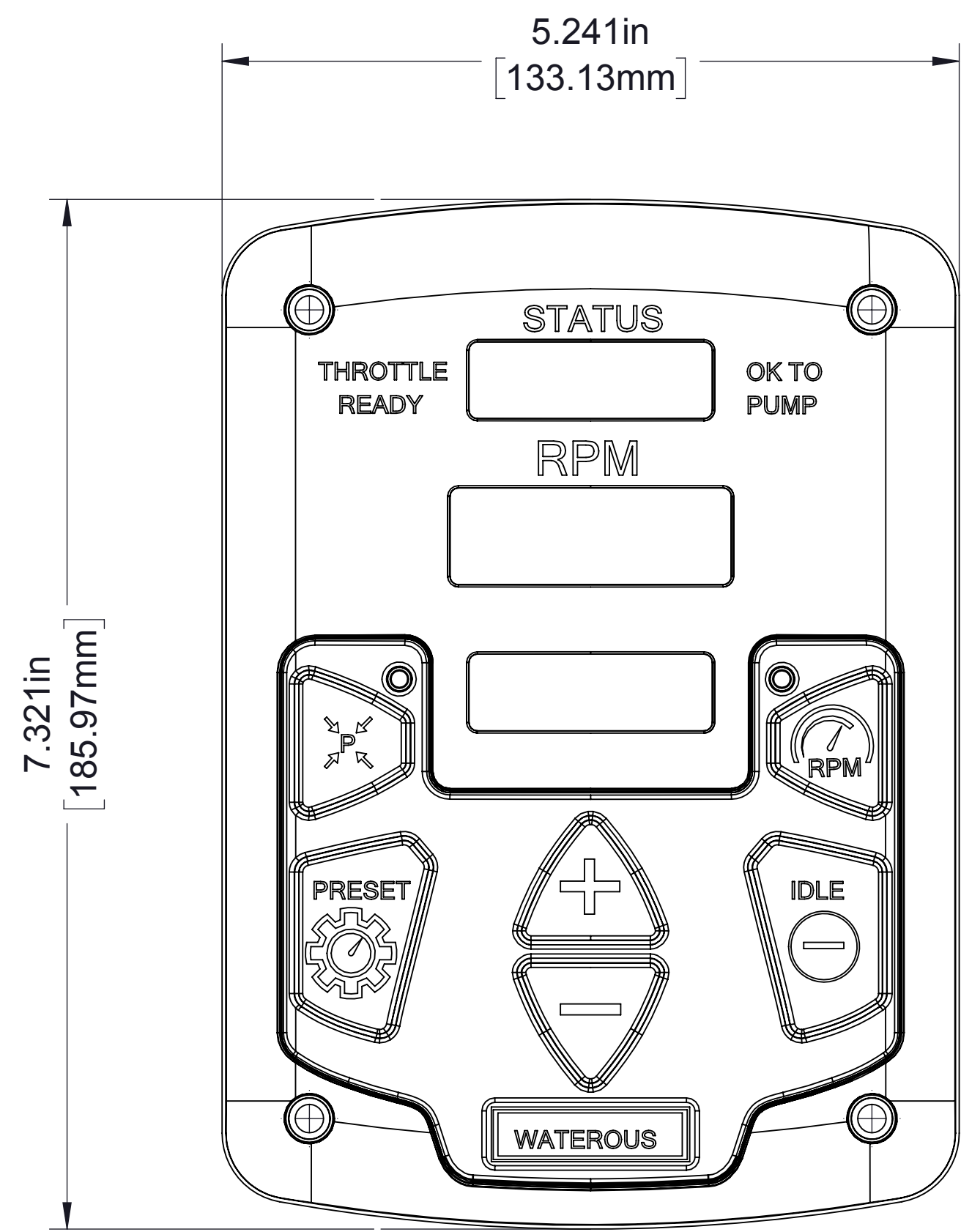


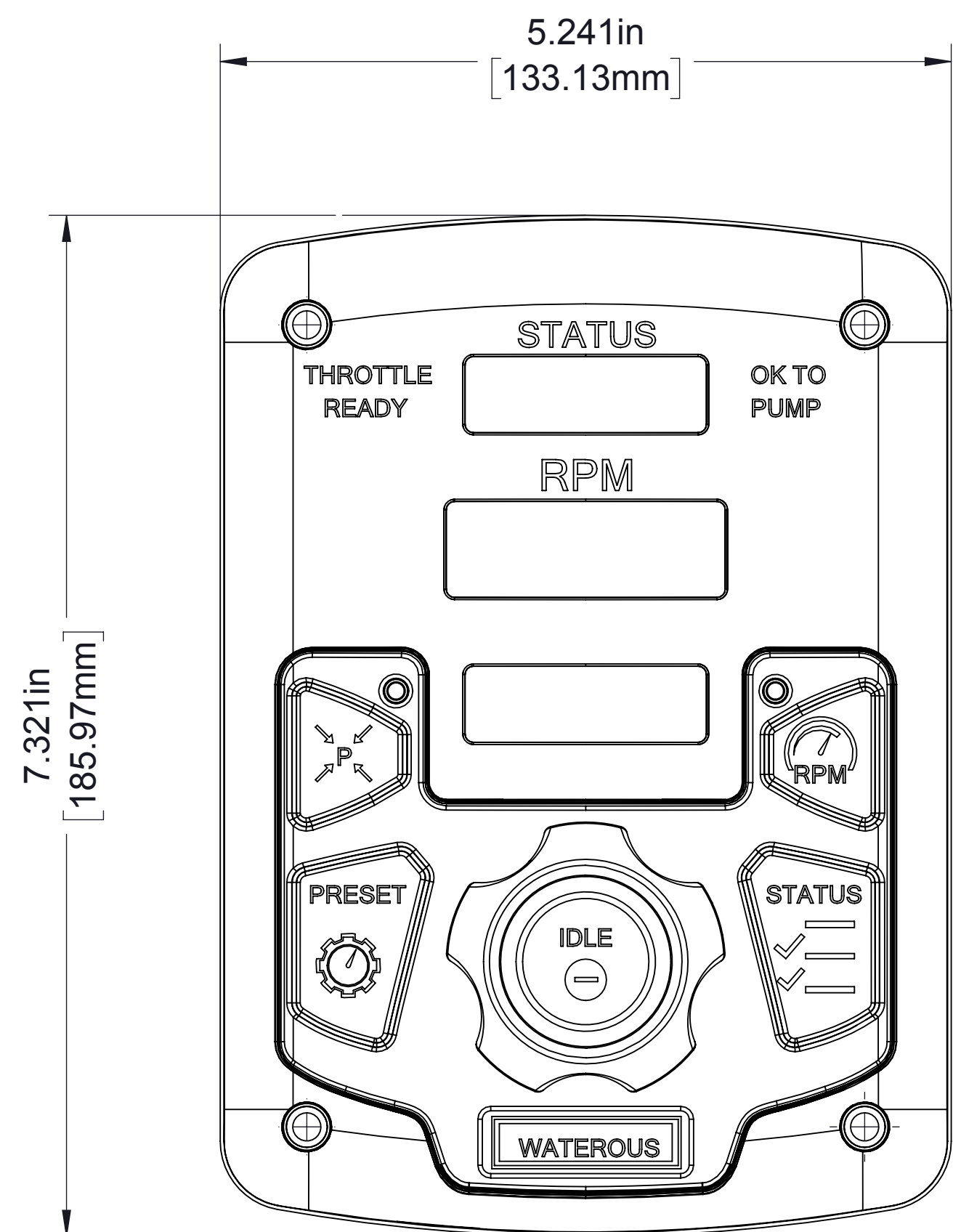
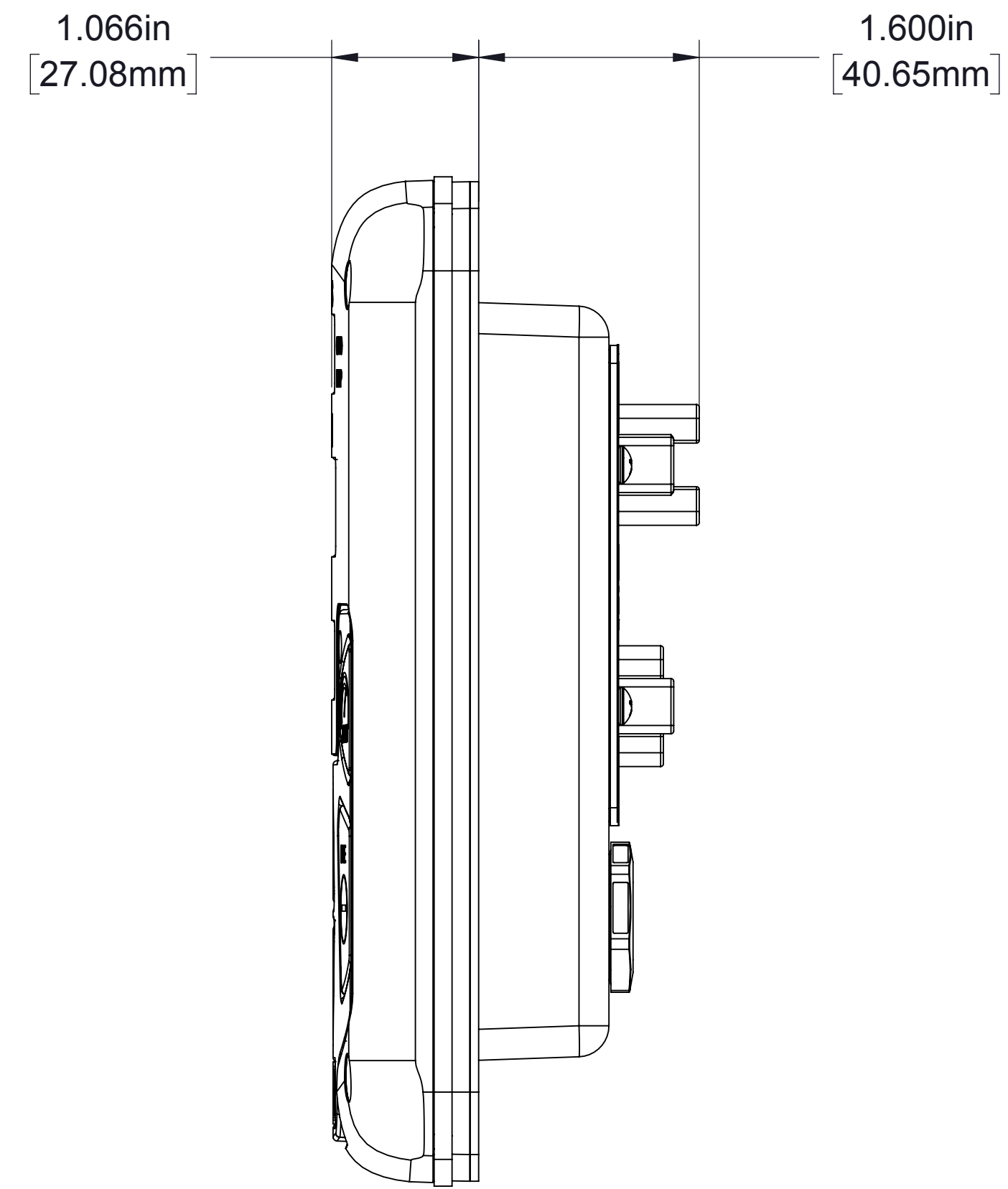
**Waterous Pressure Governor
Dimensional Drawings**



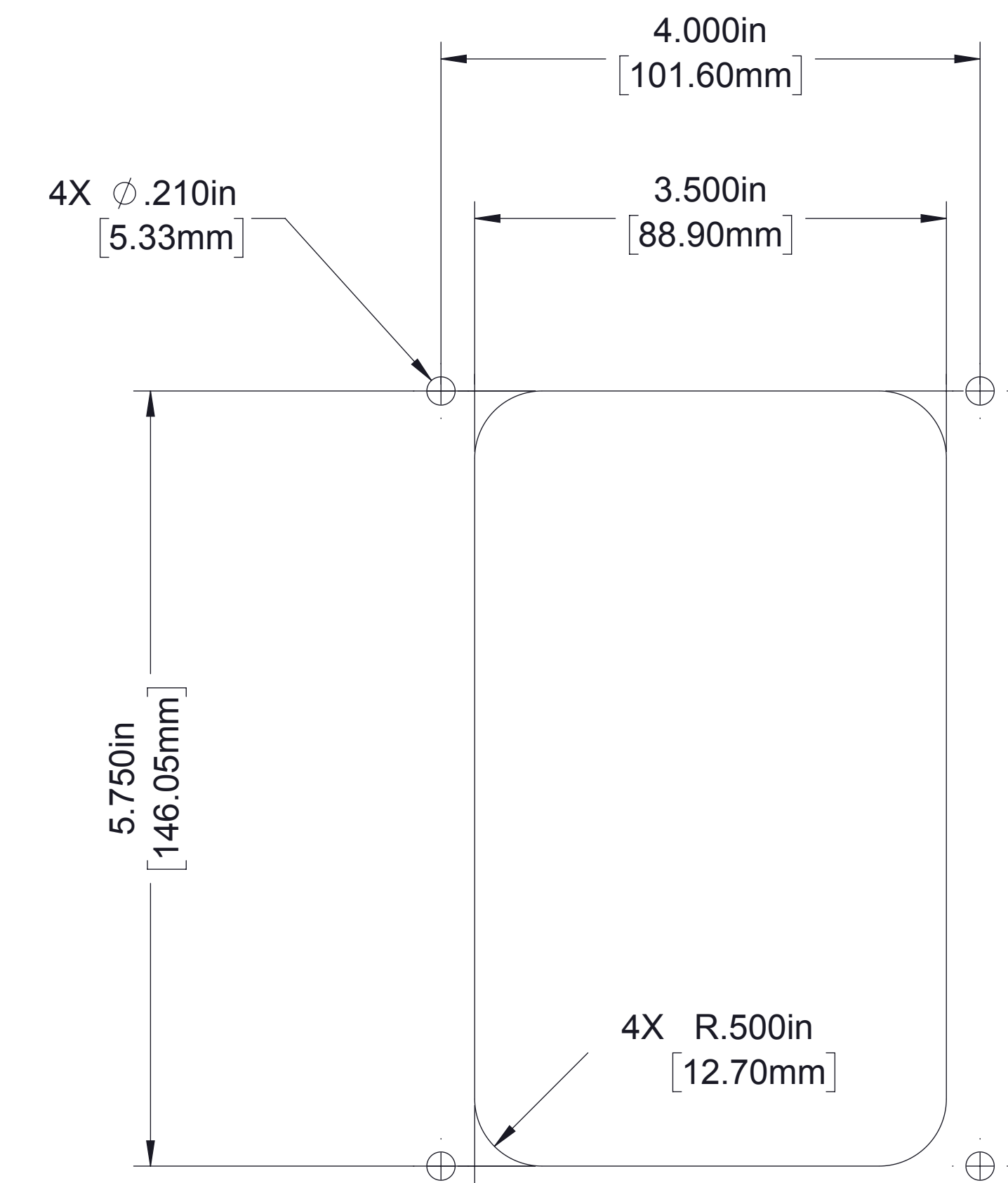
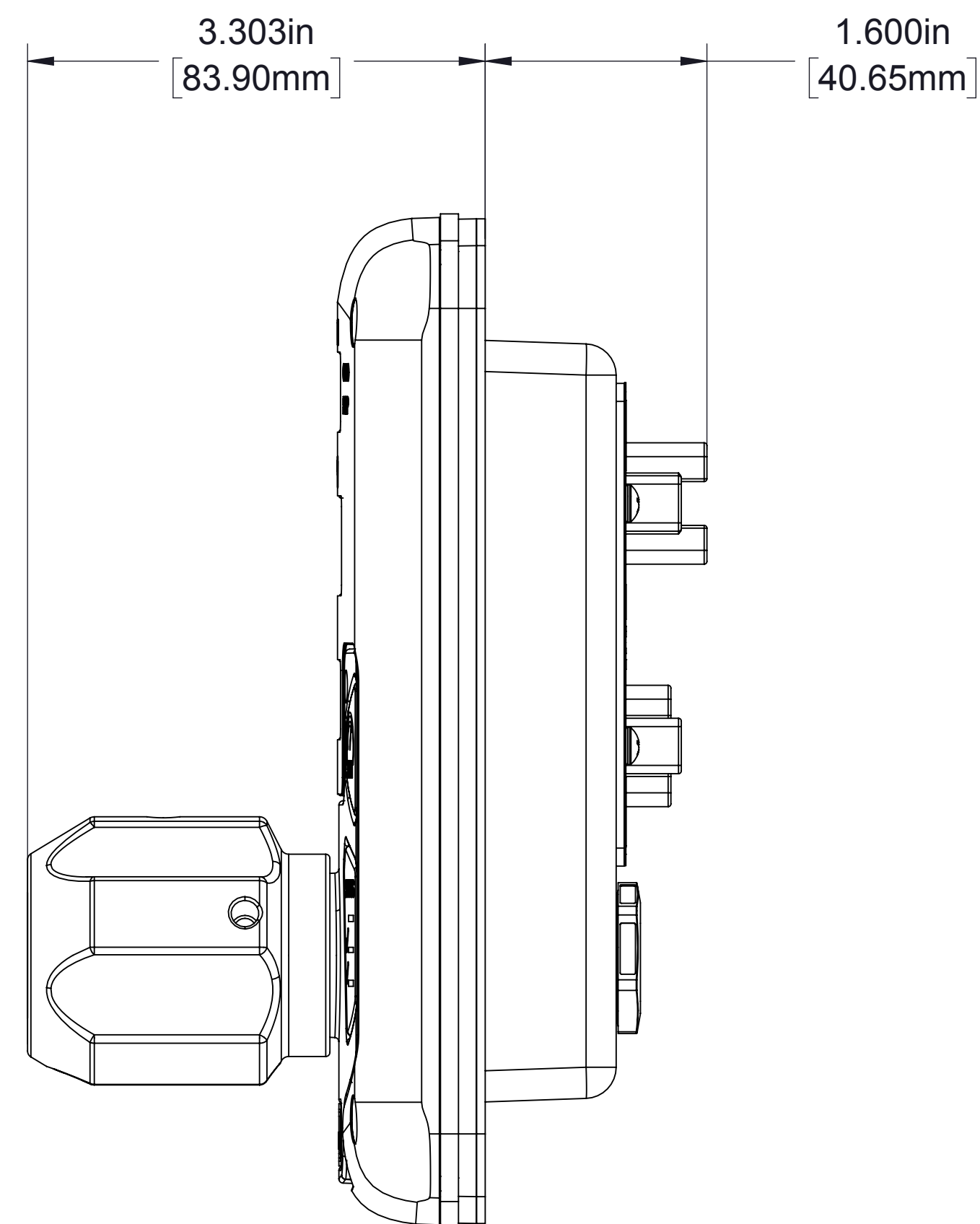
Component	See Page
Control Panel	2
Power and CAN Cable with Intake Pressure Sensor	3
Sensor and Interlock Cable with Discharge Pressure Sensor	4



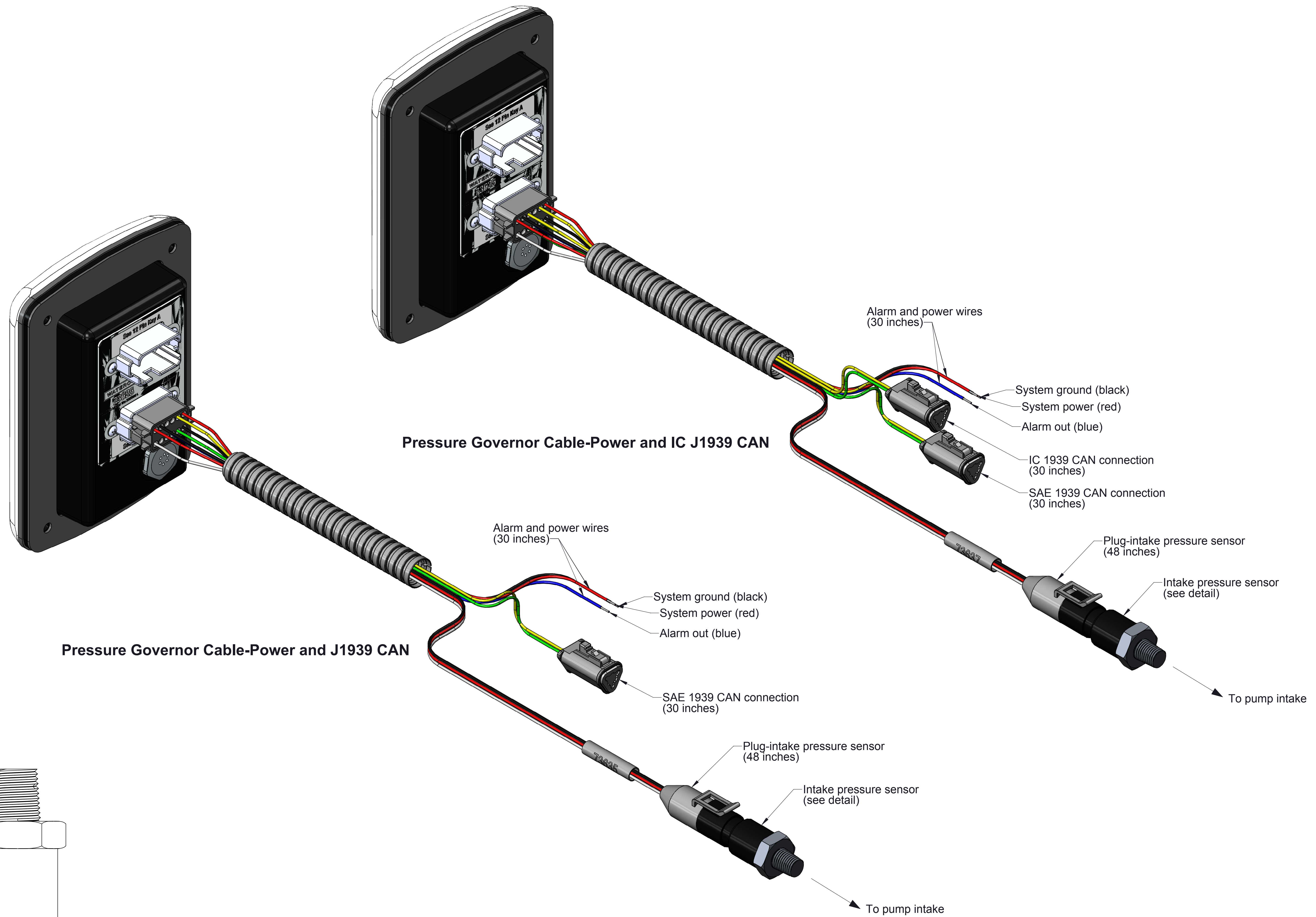
Control Panel with Push Buttons



Control Panel with Rotary Knob

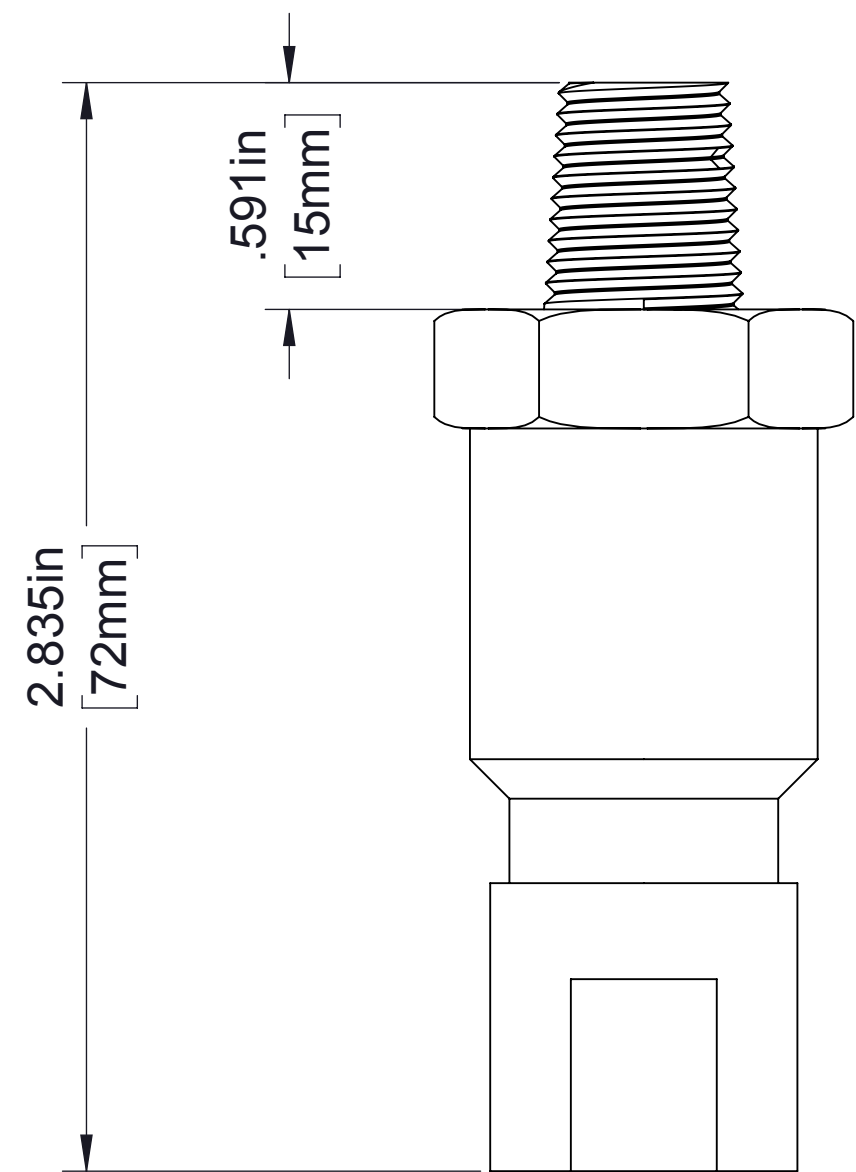
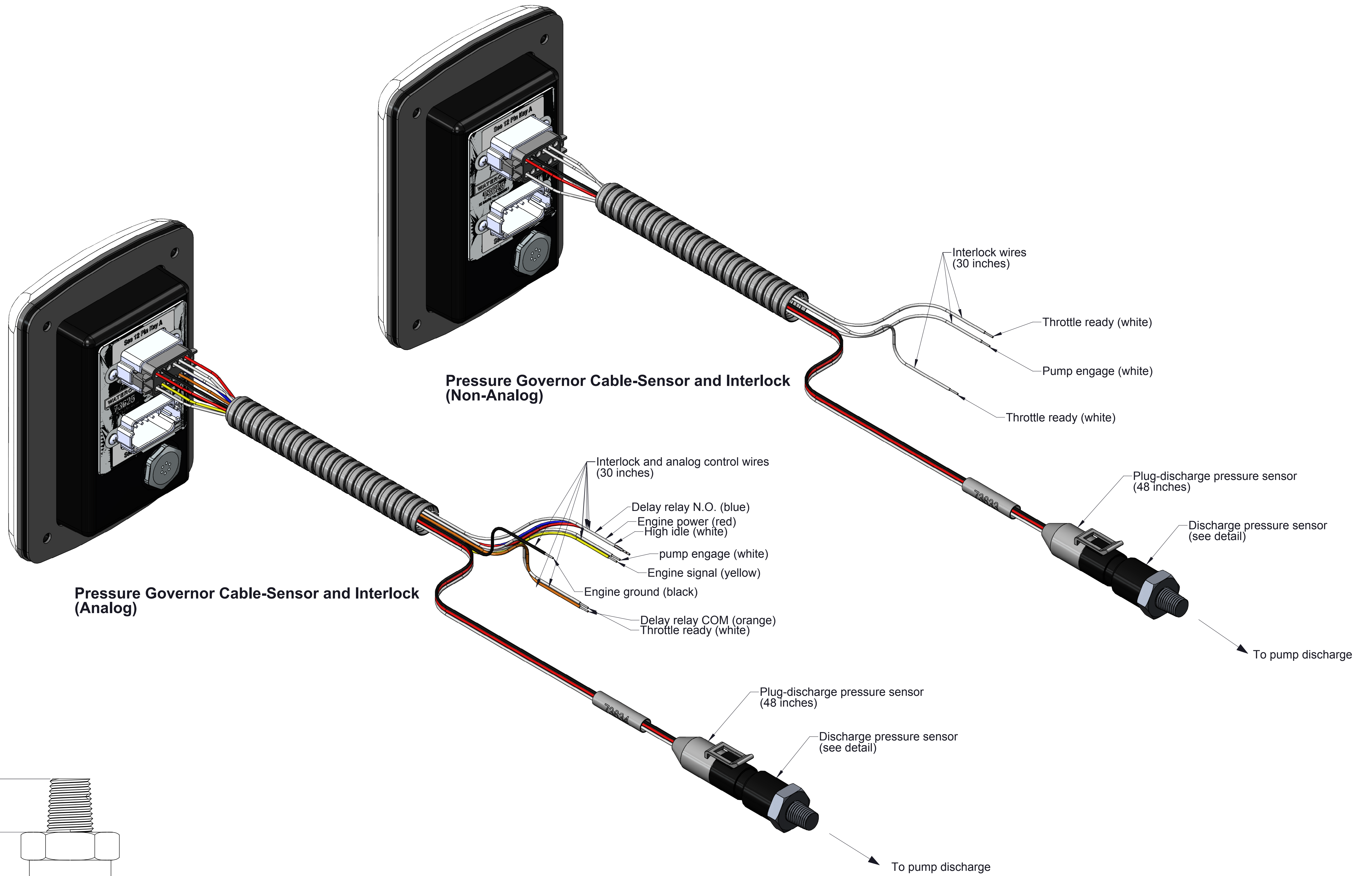


Panel Cutout



Intake Pressure Sensor

Power and CAN Cable with Intake Pressure Sensor



Discharge Pressure Sensor

Sensor and Interlock Cable with Discharge Pressure Sensor