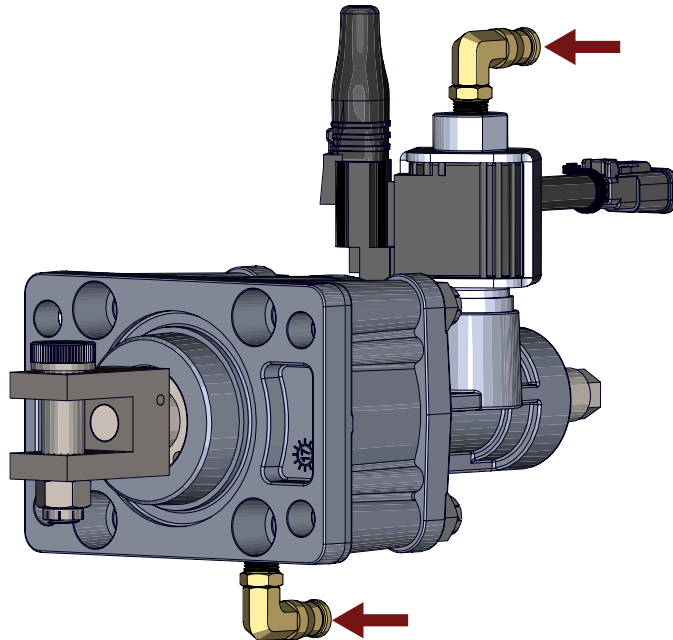


Technical Bulletin No. 132

Pneumatic-Shift Unit Fittings Update

For orders received beginning February 3, 2020, the pneumatic shift unit will no longer be furnished with preinstalled 1/4 inch push-to-connect air fittings to better meet the wide-ranging needs of our customers.



The two 1/8" NPT pneumatic ports in the unit will be plugged to prevent contamination.

